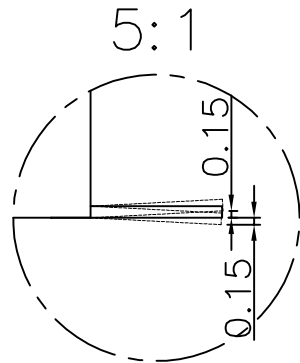
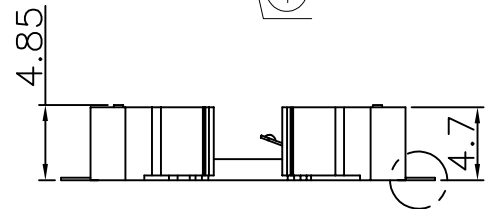
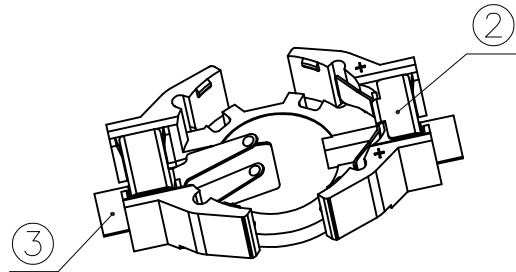
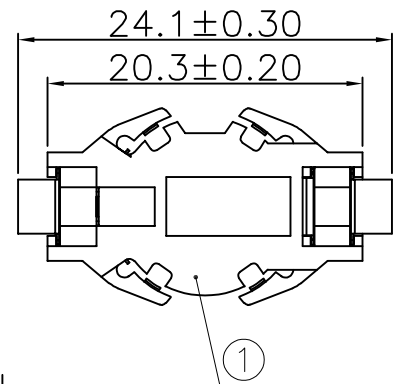




REV.	ECN NO.	REVISED	DATE



1.MATERIAL:  
 a.HOUSING:LCP UL94V-0  
 b.CONTACT:SUS301  
 (SURFACE PLATING:Sn100-120u")  
 SEE ORDERING INFORMATION

2.ELECTRIC:  
 a.CONTACT RESISTANCE: 50 MILLIOHMS MAX  
 b.INSULATION RESISTANCE: 100 MEGA OHMS MIN  
 c.DIELECTNIC VOLTAGE: 500V AC ONE SEC LEVEL  
 d.OPERATING TEMPERATURE: -25°C~ +85°C

ORDERING INFORMATION

BS-12-B\*\*\*025

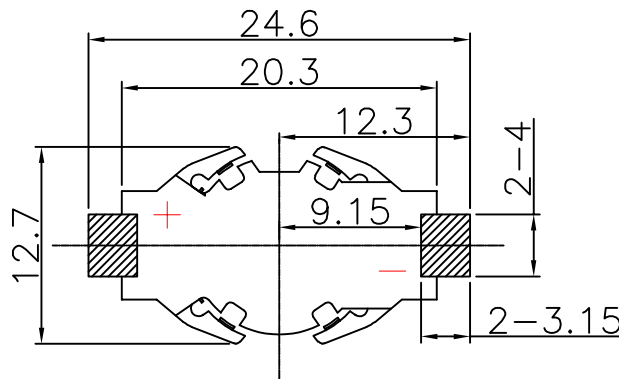
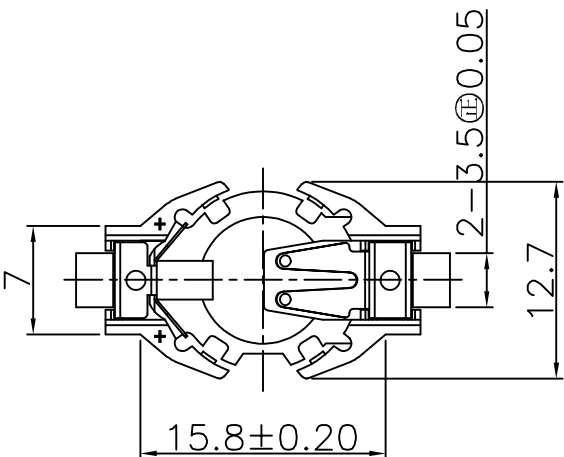
电池座系列

BS-12系列

SMT 180° TYPE

PLATING:  
 A-Au1U"  
 J-Ni100U"~120U"  
 K-Sn100U"~120U"

MATERIAL:  
 1A-PBT BLACK  
 1B-PA66 BLACK  
 2A-PPA BROWN  
 2B-PPA BLACK  
 3A-PPS BROWN  
 3B-PPS BLACK  
 4A-LCP WHITE  
 4B-LCP BLACK



PCB Layout Diagram  
Top View

工程部  
2022-10-22  
H. WANG

UNLESS OTHERWISE SPECIFIED TOLERANCES		<b>MYOUNG 美用</b> <a href="http://www.meiyangdz.com">www.meiyangdz.com</a>	
DECIMALS: X :±0.30 X.X :±0.25 X.XX :±0.20 X.XXX :±0.10	ANGLES: X :±1° X.X :±0.5°	DSND YangFeng	DATE 2022-10-22
WEIGHT: SHEET 1 OF 1		CHKD ZhouRuicai	DATE 2022-10-22
		APVD XueShun Yong	DATE 2022-10-22
TITLE: BS-1225-4 SMT LCP白色		PART NO.: BS-12-B4AK025	
UNIT: mm		SCALE: 1:1	VIEW:
REV.: A/0		SIZE: A4	OBJECT: MY
DRAW NO.:WD-CP-0239			

NO.	PART NAME	Q'TY	MATERIAL	PLATING & COLOR
3	TERMINAL(-)	1	SUS301, T=0.15mm	Sn-Plating
2	TERMINAL(+)	1	SUS301, T=0.15mm	Sn-Plating
1	HOUSING	1	LCP	WHITE

## X-ON Electronics

Largest Supplier of Electrical and Electronic Components

*Click to view similar products for [Coin Cell Battery Holders](#) category:*

*Click to view products by [MYOUNG](#) manufacturer:*

Other Similar products are found below :

[PDSN-11-D](#) [799-2007](#) [BH44AAB](#) [BH48DL](#) [BH8000](#) [MY-2430-01-R](#) [BS-16-B4AA006-R](#) [KH-CR1220-2](#) [BH-18650-A1AJ006](#) [BS-02-A1BK007](#) [BH-18650-A1AJ005](#) [BS-12-B3AA009-R](#) [BS-02-A1AK010-X](#) [BS-02-A1AJ010](#) [BS-03-A1AJ001](#) [MY-FJ-131-J-R](#) [MY-FJ-04-J-R](#) [BS-08-B2AA025](#) [BS-24-A1AJ017](#) [BH-18650-A5BJ001-2D](#) [BS-12-A1AJ002-Z](#) [BS-08-B2AA032](#) [MY-2032-04-R](#) [BS-12-B3AA011-R](#) [BS-621-B4AA001-R](#) [MY-ZJ-110](#) [MY-FJ-127-R](#) [BS-06-B4AA002-R](#) [MY-1220-04](#) [BH-AAA-A1AJ001](#) [BS-12-B3AA003-T](#) [MY-FJ-115II-R](#) [BS-06-B4AK001-R](#) [BH-18650-B1BA007](#) [MY-FJ-115II](#) [BH-AAA-B5AA001](#) [BE-13-017](#) [MY-2477-01](#) [BS-12-B3AA013](#) [BC-25-5PD-300](#) [BS-08-B2AA016-R](#) [MY-AAA-22-J](#) [MY-AA-14-J](#) [MY-AAA-24-J](#) [MY-2032-28](#) [BS-06-A4BK016](#) [MY-FJ-01](#) [MY-1025-01](#) [MY-AA-5355-J](#) [BS-05-A1BJ018](#)