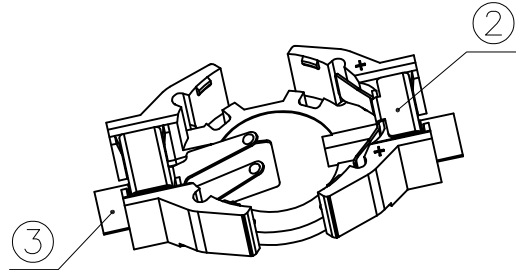
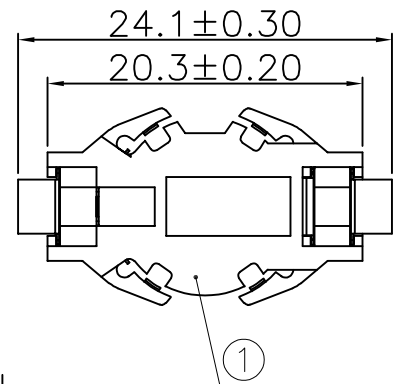


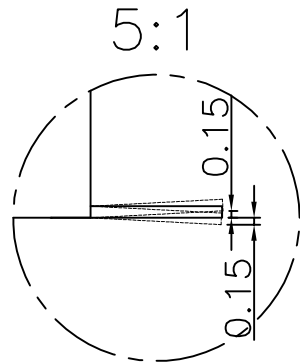
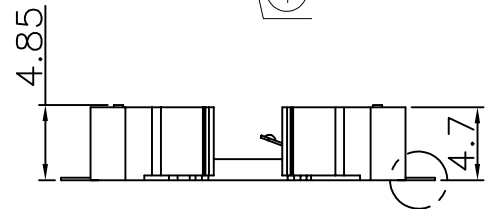


REV.	ECN NO.	REVISED	DATE



1.MATERIAL:
 a.HOUSING:LCP UL94V-0
 b.CONTACT:SUS301
 (SURFACE PLATING:Sn100-120u")
 SEE ORDERING INFORMATION

2.ELECTRIC:
 a.CONTACT RESISTANCE: 50 MILLIOHMS MAX
 b.INSULATION RESISTANCE: 100 MEGA OHMS MIN
 c.DIELECTNIC VOLTAGE: 500V AC ONE MINUTE
 d.OPERATING TEMPERATURE: -25°C~ +85°C



ORDERING INFORMATION
BS-12-B4AK025-R

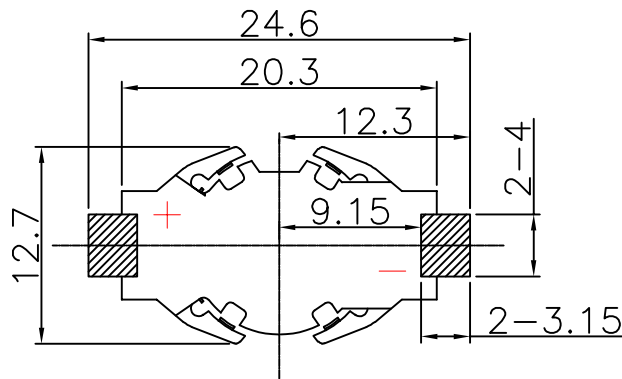
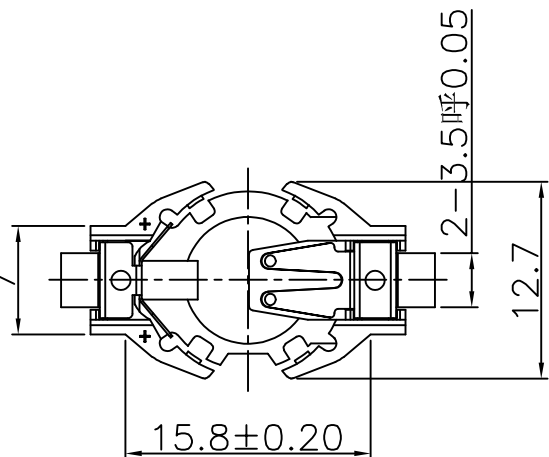
电池座系列

BS-12系列

SMT 180° TYPE

PLATING:
 A-Au1U"
 J-Ni100U"~120U"
 K-Sn100U"~120U"

MATERIAL:
 1A-PBT BLACK
 1B-PA66 BLACK
 2A-PPA BROWN
 2B-PPA BLACK
 3A-PPS BROWN
 3B-PPS BLACK
 4A-LCP WHITE
 4B-LCP BLACK



PCB Layout Diagram
 Top View

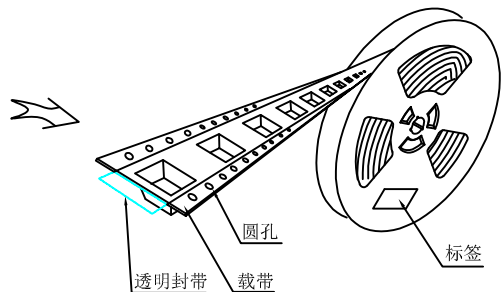
工程部
 2022-10-22
 H. WANG

UNLESS OTHERWISE SPECIFIED TOLERANCES		MYOUNG 美用 www.meiyangdz.com	
DECIMALS: X :±0.30 X.X :±0.25 X.XX :±0.20 X.XXX :±0.10	ANGLES: X :±1° X.X :±0.5°	DSND YangFeng	DATE 2022-10-22
		CHKD ZhouRuicai	DATE 2022-10-22
		APVD XueShun Yong	DATE 2022-10-22
WEIGHT:		SCALE: 1:1	SIZE: A4
SHEET 1 OF 2		VIEW:	OBJECT: MY
		UNIT: mm	REV.: A/0
		OBJECT: MY	DRAW NO.:WD-CP-0239

3	TERMINAL(-)	1	SUS301, T=0.15mm	Sn-Plating
2	TERMINAL(+)	1	SUS301, T=0.15mm	Sn-Plating
1	HOUSING	1	LCP	WHITE
NO.	PART NAME	Q'TY	MATERIAL	PLATING & COLOR



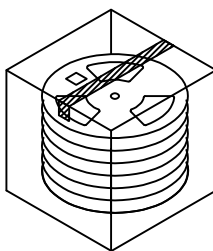
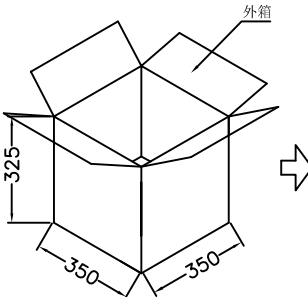
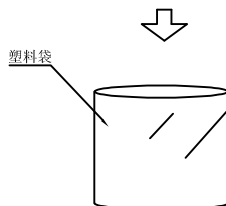
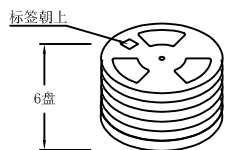
产品



圆孔

标签

透明封带 载带

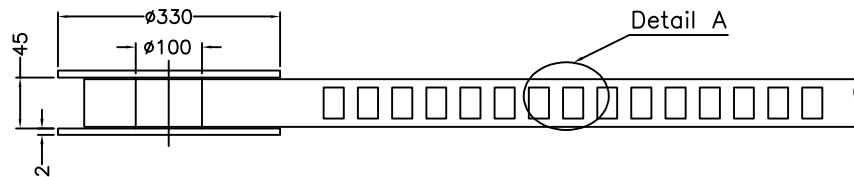


技术要求:

- 圆孔十个孔距离累计允许公差为 $\pm 0.2\text{mm}$
- 带长250mm内容许弯曲度1mm
- 材料厚度以在载带边缘测量为准
- 所有尺寸定义依循EIA-481-C系准则定义之
- 材料: 黑色PS T=0.4mm
- 所有卷轮为灰蓝挖空旋转塑胶卷轮
- 整模成型长度: 13M,
- 非指明公差范围为: $\pm 0.1\text{mm}$; 超过250mm不计算累计误差
- 型腔外形凡未标明处倒角R为0.2-0.3; 拔模斜度未标注的为 3° 以下

包装信息:

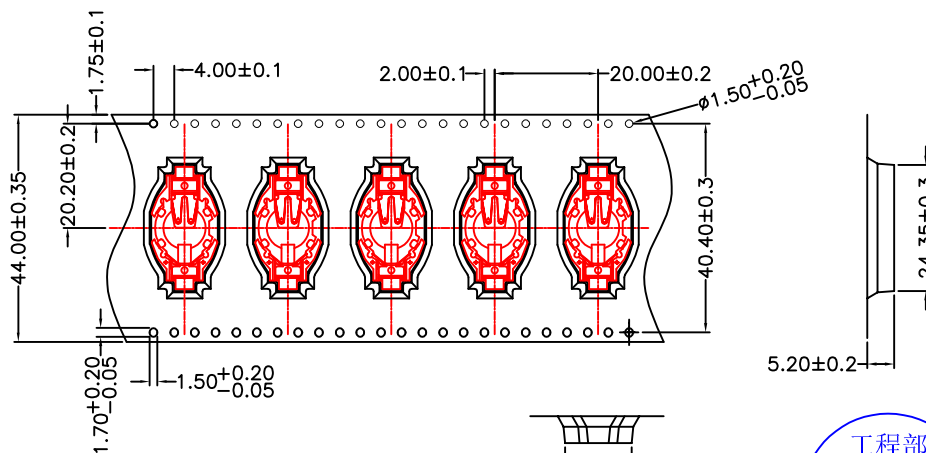
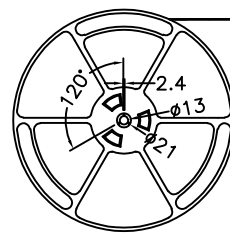
- 每卷盘装产品 600 只, 卷盘外侧贴相关标签;
- 每 6 卷盘放在一个塑料袋中;
- 每外箱装6盘, 产品总数: 3600 只;
- 外箱上下用胶纸封成"工"字;
- 电池座包材BS-1225-4 SMT 卷装(BS-1225-01-R)



Detail A

出料方向

剥离方向
 余留封带长: 270 MIN
 载带与封带剥离角度: $165^\circ - 180^\circ$
 剥离强度: 0.1-1.0N



12.90±0.2

Detail A

工程

2024-01-09

H. WANG

UNLESS OTHERWISE SPECIFIED TOLERANCES		MYOUNG 美阳 www.meiyangdz.com			
DECIMALS: X :±***	ANGLES: X :±***	DSND	WangHeng	DATE	2024-01-09
X.X :±***	X.X :±***	CHKD	ZhouRuicai	DATE	2024-01-09
X.XX :±***	X.X :±***	APVD	XueShun Yong	DATE	2024-01-09
X.XXX :±***	X.X :±***	WEIGHT:	SCALE: 3:1	SIZE: A4	VIEW:
SHEET 2 OF 2		UNIT: mm	REV.: A/0	OBJECT: MY	TITLE: BS-1225-4 SMT LCP白色 卷装
					PART NO.: BS-12-B4AK025-R
					DRAW NO.: MY-BD-0081

X-ON Electronics

Largest Supplier of Electrical and Electronic Components

Click to view similar products for [Coin Cell Battery Holders](#) category:

Click to view products by [MYOUNG](#) manufacturer:

Other Similar products are found below :

[PDSN-11-D](#) [799-2007](#) [BH44AAB](#) [BH48DL](#) [BH8000](#) [MY-2430-01-R](#) [BS-16-B4AA006-R](#) [KH-CR1220-2](#) [BH-18650-A1AJ006](#) [BS-02-A1BK007](#) [BH-18650-A1AJ005](#) [BS-12-B3AA009-R](#) [BS-02-A1AK010-X](#) [BS-02-A1AJ010](#) [BS-03-A1AJ001](#) [MY-FJ-131-J-R](#) [MY-FJ-04-J-R](#) [BS-08-B2AA025](#) [BS-24-A1AJ017](#) [BH-18650-A5BJ001-2D](#) [BS-12-A1AJ002-Z](#) [BS-08-B2AA032](#) [MY-2032-04-R](#) [BS-12-B3AA011-R](#) [BS-621-B4AA001-R](#) [MY-ZJ-110](#) [MY-FJ-127-R](#) [BS-06-B4AA002-R](#) [MY-1220-04](#) [BH-AAA-A1AJ001](#) [BS-12-B3AA003-T](#) [MY-FJ-115II-R](#) [BS-06-B4AK001-R](#) [BH-18650-B1BA007](#) [MY-FJ-115II](#) [BH-AAA-B5AA001](#) [BE-13-017](#) [MY-2477-01](#) [BS-12-B3AA013](#) [BC-25-5PD-300](#) [BS-08-B2AA016-R](#) [MY-AAA-22-J](#) [MY-AA-14-J](#) [MY-AAA-24-J](#) [MY-2032-28](#) [BS-06-A4BK016](#) [MY-FJ-01](#) [MY-1025-01](#) [MY-AA-5355-J](#) [BS-05-A1BJ018](#)