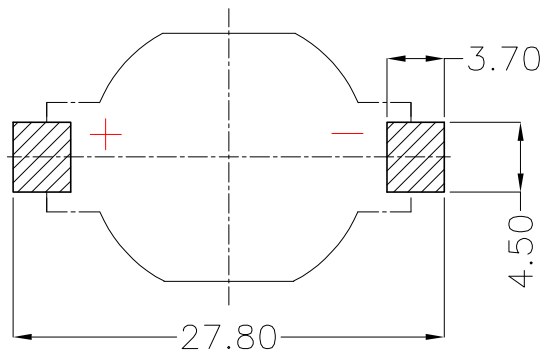
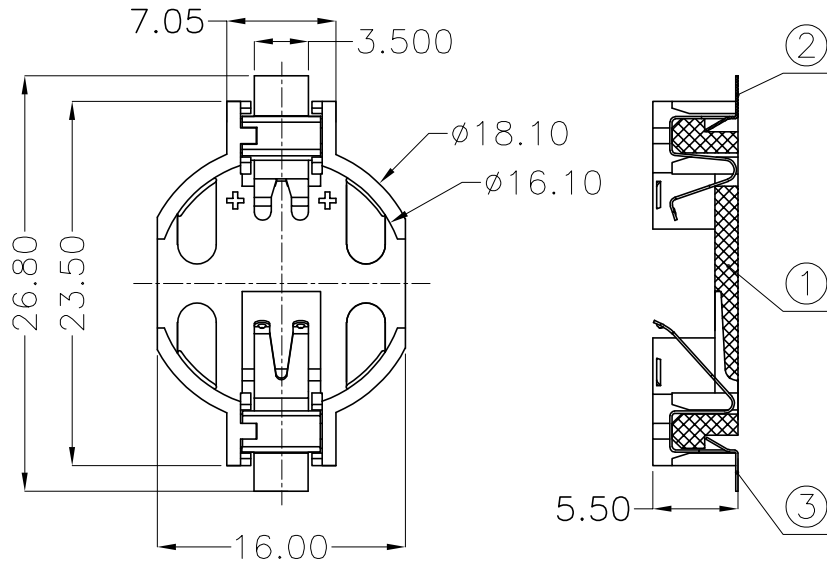




REV.	ECN NO.	REVISED	DATE

NOTE:
 1.MATERIAL:
 a.HOUSING:LCP UL94V-0
 b.CONTACT:PHOSPHOR BRONZE
 (SURFACE PLATING: Sn100U"-120U")
 SEE ORDERING INFORMATION
 2.ELECTRIC:
 a.CONTACT RESISTANCE: 30 MILLIOHMS MAX
 b.INSULATION RESISTANCE: 100 MEGA OHMS MIN
 c.DIELECTNIC VOLTAGE: 500V AC ONE SEC LEVEL
 d.OPERATING TEMPERATURE: -25°C~ +85°C



PCB Layout Diagram
Top View

ORDERING INFORMATION

BS-16-B*004**

电池座系列

BS-16系列

SMT 180° TYPE

PLATING:
 A-Au1U"
 J-Ni100U"~120U"
 K-Sn100U"~120U"

MATERIAL:
 1A-PBT BLACK
 1B-PA66 BLACK
 2A-PPA BROWN
 2B-PPA BLACK
 3A-PPS BROWN
 3B-PPS BLACK
 4A-LCP WHITE
 4B-LCP BLACK

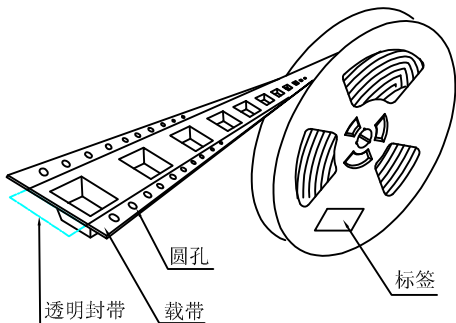


3	TERMINAL(-)	1	PHOSPHOR BRONZE, T=0.15mm	Sn-Plating
2	TERMINAL(+)	1	PHOSPHOR BRONZE, T=0.15mm	Sn-Plating
1	HOUSING	1	LCP	WHITE
NO.	PART NAME	Q'TY	MATERIAL	PLATING & COLOR

UNLESS OTHERWISE SPECIFIED TOLERANCES		MYOUNG 美阳 www.meiyangdz.com			
DECIMALS: X :±0.30 X.X :±0.25 X.XX :±0.20 X.XXX :±0.10	ANGLES: X :±1° X.X :±0.5°	DSND	YangFeng	DATE	2017-10-17
WEIGHT: 1.34g		CHKD	ZhouRuicai	DATE	2017-10-17
SHEET 1 OF 1		APVD	XueShunyong	DATE	2017-10-17
UNIT: mm		SCALE: 2:1	SIZE: A4	VIEW:	TITLE: BS-1632-2 Sn SMT
REV.: A/0		OBJECT: MY	PART NO.: BS-16-B4AK004		
DRAW NO.:MY-CP-0104					

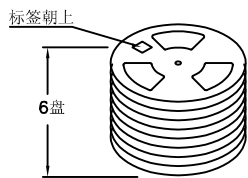


产品



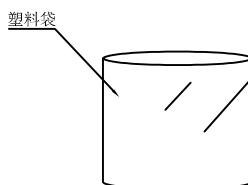
透明封带 载带

圆孔 标签

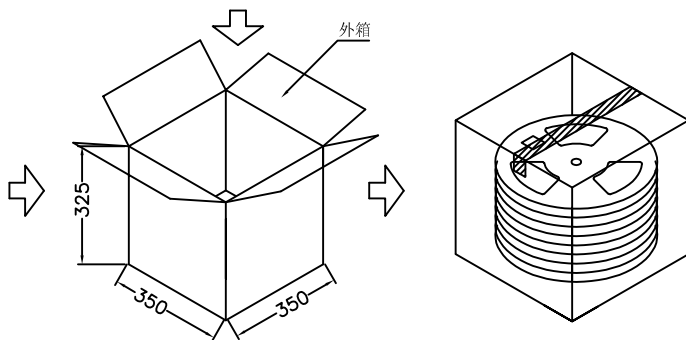


标签朝上

6盘



塑料袋

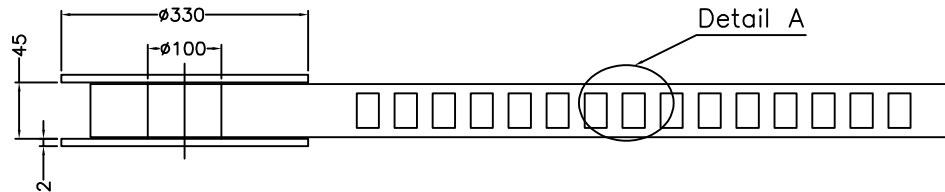


外箱

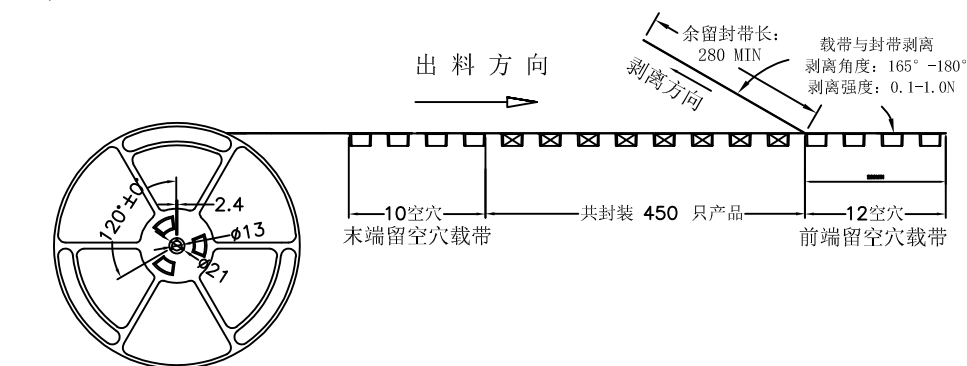
325

350

350



Detail A



出料方向

剥离方向

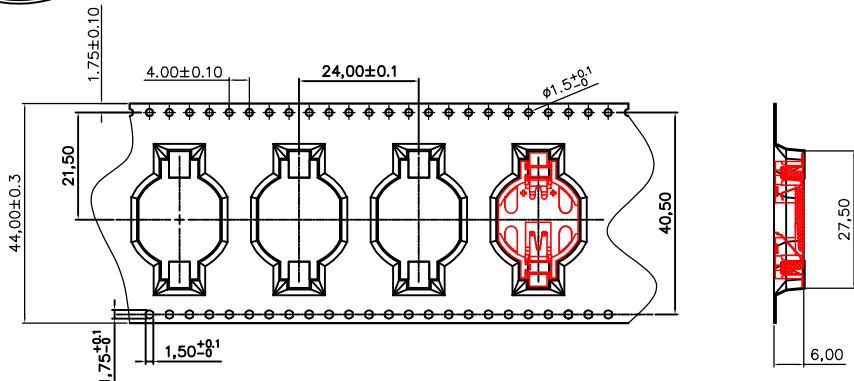
余留封带长: 280 MIN

载带与封带剥离
剥离角度: 165° -180°
剥离强度: 0.1-1.0N

10空穴 末端留空穴载带

共封装 450 只产品

12空穴 前端留空穴载带



Detail A



工程部的

2022-12-02

H. WANG

技术要求:

- 1.圆孔十个孔距离累计允许公差为±0.2mm
- 2.带长250mm内容许弯曲度1mm
- 3.材料厚度以在载带边缘测量为准
- 4.所有尺寸定义依循EIA-481-C系准则定义之
- 5.材料:黑色PS T=0.35mm
- 6.所有卷轮为灰蓝挖空旋转塑胶卷轮
- 7.整模成型长度:11.328M,
- 8.非指明公差范围为: ±0.1mm;超过250mm不计算累计误差
- 9.型腔外形凡未标明处倒角R为0.2-0.3;拔模斜度未标注的为3°以下

包装信息:

- 1、每卷盘装产品 450 只, 卷盘外侧贴相关标签;
- 2、每 6 卷盘放在一个塑料袋中;
- 3、每外箱装6盘, 产品总数: 2700 只;
- 4、外箱上下用胶纸封成“工”字;

UNLESS OTHERWISE SPECIFIED TOLERANCES		MYOUNG 美阳 www.meiyangdz.com			
DECIMALS: X :±*** X.X :±*** X.XX :±*** X.XXX :±***	ANGLES: X :±*** X.X :±***	DSND YangFeng	DATE 2022-12-02	TITLE:	
		CHKD ZhouRuicai	DATE 2022-12-02	BS-1632-2 SMT 卷装	
		APVD XueShunyong	DATE 2022-12-02	PART NO.:	
		WEIGHT:	SCALE: 3:1	SIZE: A4	VIEW:
		SHEET 1 OF 1	UNIT: mm	REV.: A/0	OBJECT: MY
				DRAW NO.:MY-BD-0054	

X-ON Electronics

Largest Supplier of Electrical and Electronic Components

Click to view similar products for [Coin Cell Battery Holders](#) category:

Click to view products by [MYOUNG](#) manufacturer:

Other Similar products are found below :

[PDSN-11-D](#) [799-2007](#) [BH44AAB](#) [BH48DL](#) [BH8000](#) [MY-2430-01-R](#) [BS-16-B4AA006-R](#) [KH-CR1220-2](#) [BH-18650-A1AJ006](#) [BS-02-A1BK007](#) [BH-18650-A1AJ005](#) [BS-12-B3AA009-R](#) [BS-02-A1AK010-X](#) [BS-02-A1AJ010](#) [BS-03-A1AJ001](#) [MY-FJ-131-J-R](#) [MY-FJ-04-J-R](#) [BS-08-B2AA025](#) [BS-24-A1AJ017](#) [BH-18650-A5BJ001-2D](#) [BS-12-A1AJ002-Z](#) [BS-08-B2AA032](#) [MY-2032-04-R](#) [BS-12-B3AA011-R](#) [BS-621-B4AA001-R](#) [MY-ZJ-110](#) [MY-FJ-127-R](#) [BS-06-B4AA002-R](#) [MY-1220-04](#) [BH-AAA-A1AJ001](#) [BS-12-B3AA003-T](#) [MY-FJ-115II-R](#) [BS-06-B4AK001-R](#) [BH-18650-B1BA007](#) [MY-FJ-115II](#) [BH-AAA-B5AA001](#) [BE-13-017](#) [MY-2477-01](#) [BS-12-B3AA013](#) [BC-25-5PD-300](#) [BS-08-B2AA016-R](#) [MY-AAA-22-J](#) [MY-AA-14-J](#) [MY-AAA-24-J](#) [MY-2032-28](#) [BS-06-A4BK016](#) [MY-FJ-01](#) [MY-1025-01](#) [MY-AA-5355-J](#) [BS-05-A1BJ018](#)