



REV.	ECN NO.	REVISED	DATE
A/1	EN20240221001	Huanglieqing	2024-02-21

OTE:

1.MATERIAL:

a.HOUSING:PPA WHITE 94HB

b.CONTACT+:QBeCu

CONTACT-:C5191

(SURFACE PLATING: Au 1u")

SEE ORDERING INFORMATION

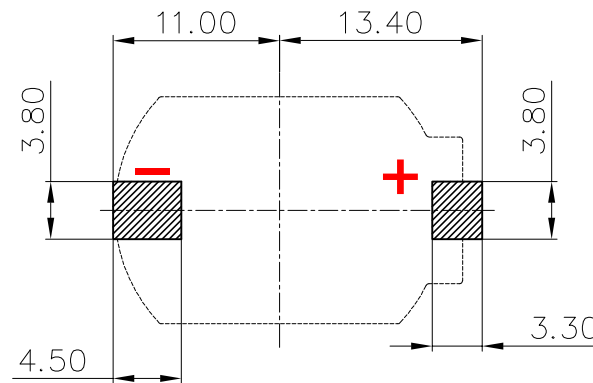
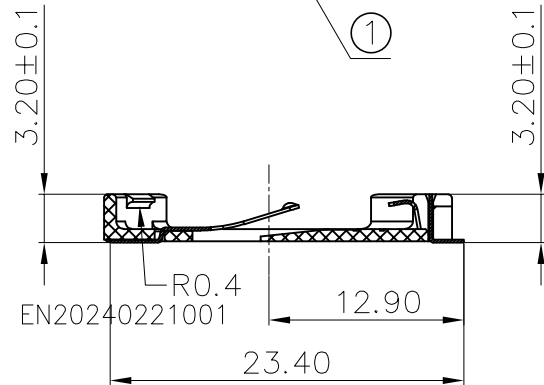
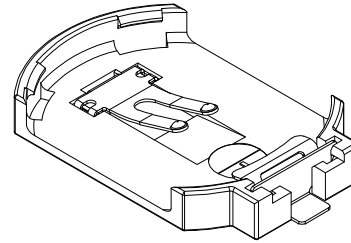
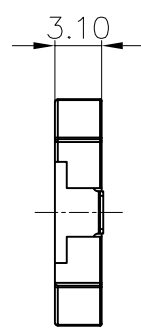
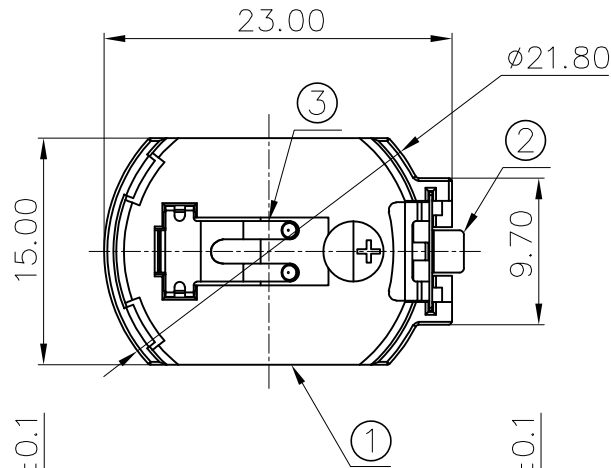
2.ELECTRIC:

a.CONTACT RESISTANCE: 30 MILLIOHMS MAX

b.INSULATION RESISTANCE: 100 MEGA OHMS MIN

c.DIELECTNIC VOLTAGE: 500V AC ONE MINUTE

d.OPERATING TEMPERATURE: -25° C~ +85° C



PCB Layout Diagram
Bottom View

ORDERING INFORMATION
BS-2016-B2CA004

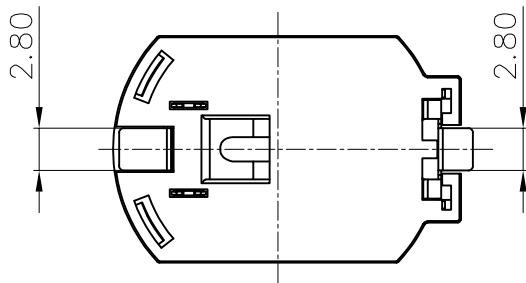
电池座

电池型号

SMT 180° TYPE

PLATING:
A-Au1U"
J-Ni100U"~120U"
K-Sn100U"~120U"

MATERIAL:
1A-PBT BLACK
1B-PA66 BLACK
2A-PPA BROWN
2B-PPA BLACK
2C-PPA WHITE
2D-PPA ADJUSTED
COLOR
3A-PPS BROWN
3B-PPS BLACK



3	TERMINAL-	1	C5191 T=0.2mm	Au-Plating
2	TERMINAL+	1	QBeCu, T=0.2mm	Au-Plating
1	HOUSING	1	PPA 94HB	WHITE
NO.	PART NAME	Q'TY	MATERIAL	PLATING & COLOR

UNLESS OTHERWISE SPECIFIED TOLERANCES		MYOUNG 美用 www.meiyangdz.com	
DECIMALS: X :±0.30 X.X :±0.25 X.XX :±0.20 X.XXX :±0.10	ANGLES: X :±1° X.X :±0.5°	DSND	Huanglieqing
		DATE	2024-03-15
		CHKD	ZhouRuicai
		DATE	2024-03-15
		APVD	XueShunyong
		DATE	2024-03-15
WEIGHT:		SCALE:	VIEW:
SHEET 1 OF 1		SIZE: A4	TITLE: BS-2016-8-2 Au SMT PPA白色 正板被青铜
		UNIT: mm	PART NO.: BS-2016-B2CA004
		REV.: A/1	DRAW NO.:MY-CP-0399
		OBJECT: MY	

X-ON Electronics

Largest Supplier of Electrical and Electronic Components

Click to view similar products for [Coin Cell Battery Holders](#) category:

Click to view products by [MYOUNG](#) manufacturer:

Other Similar products are found below :

[PDSN-11-D](#) [BH44AAB](#) [BH48DL](#) [BH8000](#) [MY-2430-01-R](#) [BS-16-B4AA006-R](#) [KH-CR1220-2](#) [BS-02-A1BK007](#) [BH-18650-A1AJ005](#) [BS-12-B3AA009-R](#) [BS-02-A1AK010-X](#) [BS-02-A1AJ010](#) [BS-03-A1AJ001](#) [MY-FJ-131-J-R](#) [MY-FJ-04-J-R](#) [BS-08-B2AA025](#) [BS-24-A1AJ017](#) [BH-18650-A5BJ001-2D](#) [BS-12-A1AJ002-Z](#) [BS-08-B2AA032](#) [MY-2032-04-R](#) [BS-12-B3AA011-R](#) [BS-621-B4AA001-R](#) [MY-ZJ-110](#) [MY-FJ-127-R](#) [BS-06-B4AA002-R](#) [MY-1220-04](#) [BH-AAA-A1AJ001](#) [BS-12-B3AA003-T](#) [MY-FJ-115II-R](#) [BS-06-B4AK001-R](#) [BH-18650-B1BA007](#) [MY-FJ-115II](#) [BH-AAA-B5AA001](#) [BE-13-017](#) [MY-2477-01](#) [BS-12-B3AA013](#) [BC-25-5PD-300](#) [BS-08-B2AA016-R](#) [MY-AAA-22-J](#) [MY-AA-14-J](#) [MY-AAA-24-J](#) [MY-2032-28](#) [BS-06-A4BK016](#) [MY-FJ-01](#) [MY-1025-01](#) [MY-AA-5355-J](#) [BS-05-A1BJ018](#) [BH-AA-B1AJ011](#) [MY-2032-08L](#)