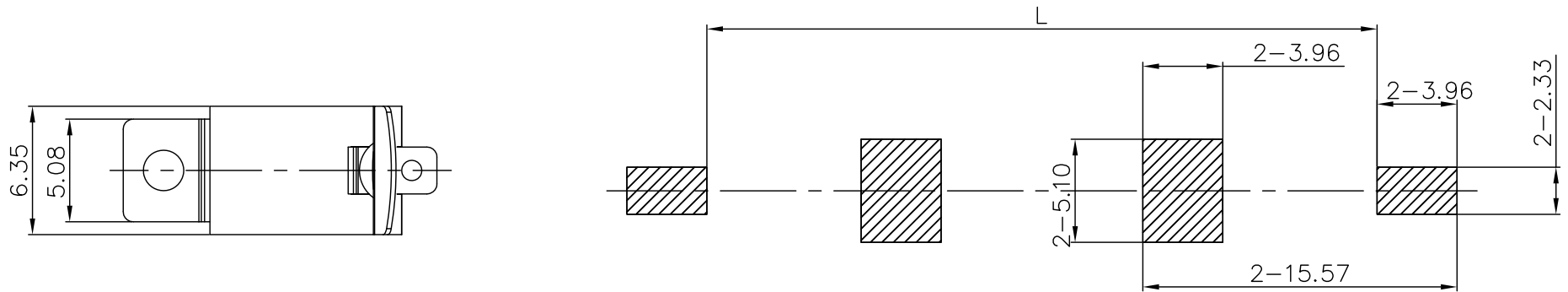
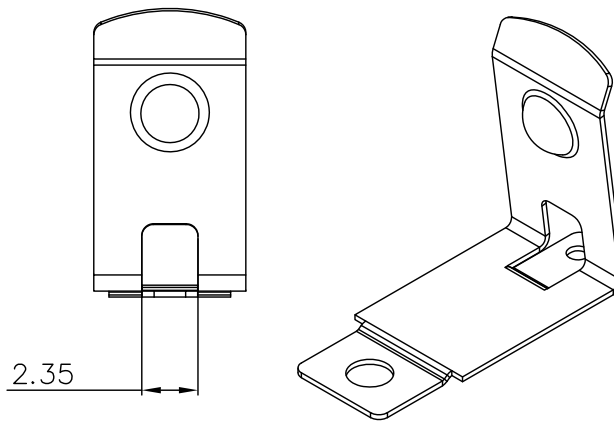
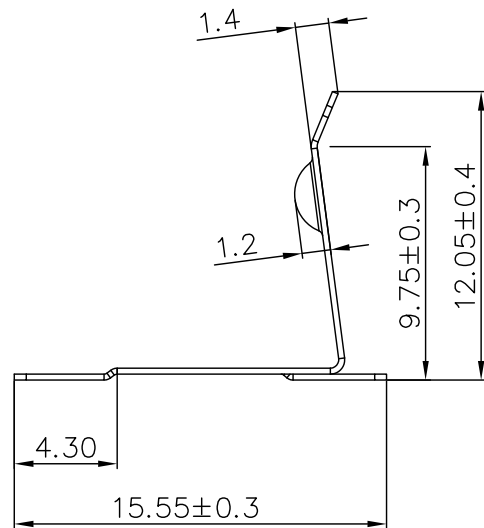




| | | | |
|------|---------|---------|------|
| REV. | ECN NO. | REVISED | DATE |
| | | | |



PCB Layout Diagram
Top View



工程
部
2021-07-09
LQ. HUANG

| CELL SIZE | 'L' DIMENSION |
|-----------|---------------|
| AA | 48.30 |
| CR2 | 24.60 |
| CR123A | 31.20 |

| | | | |
|--|---------------------------------|---|-----------------|
| UNLESS OTHERWISE SPECIFIED TOLERANCES | | MYOUNG 美阳 www.meiyangdz.com | |
| DECIMALS: X :±0.30 X.X :±0.25 X.XX :±0.20 X.XXX :±0.10 | ANGLES: X :±1° X.X :±0.5° | DSND YangFeng | DATE 2021-07-09 |
| WEIGHT: g | | CHKD ZhouRuicai | DATE 2021-07-09 |
| SHEET 1 OF 1 | | APVD XueShunyong | DATE 2021-07-09 |
| SCALE: 4:1 | | SIZE: A4 | VIEW: |
| UNIT: mm | | REV.: A/0 | OBJECT: MY |
| TITLE: | | PART NO.: | |
| | | MY-AA-03 | |
| | | DRAW NO.:MY-CP-0265 | |

| 1 | TERMINAL | 1 | Mn STEEL, T=0.25mm | Ni-Plating |
|-----|-----------|------|--------------------|-----------------|
| NO. | PART NAME | Q'TY | MATERIAL | PLATING & COLOR |

A
B
C
D
E
F
G
H

B
C
D
E
F
G
H

1 2 3 4 5 6 7 8

X-ON Electronics

Largest Supplier of Electrical and Electronic Components

Click to view similar products for [Coin Cell Battery Holders](#) category:

Click to view products by [MYOUNG](#) manufacturer:

Other Similar products are found below :

[PDSN-11-D](#) [799-2007](#) [BH44AAB](#) [BH48DL](#) [BH8000](#) [MY-2430-01-R](#) [BS-16-B4AA006-R](#) [KH-CR1220-2](#) [BH-18650-A1AJ006](#) [BS-02-A1BK007](#) [BH-18650-A1AJ005](#) [BS-12-B3AA009-R](#) [BS-02-A1AK010-X](#) [BS-02-A1AJ010](#) [BS-03-A1AJ001](#) [MY-FJ-131-J-R](#) [MY-FJ-04-J-R](#) [BS-08-B2AA025](#) [BS-24-A1AJ017](#) [BH-18650-A5BJ001-2D](#) [BS-12-A1AJ002-Z](#) [BS-08-B2AA032](#) [MY-2032-04-R](#) [BS-12-B3AA011-R](#) [BS-621-B4AA001-R](#) [MY-ZJ-110](#) [MY-FJ-127-R](#) [BS-06-B4AA002-R](#) [MY-1220-04](#) [BH-AAA-A1AJ001](#) [BS-12-B3AA003-T](#) [MY-FJ-115II-R](#) [BS-06-B4AK001-R](#) [BH-18650-B1BA007](#) [MY-FJ-115II](#) [BH-AAA-B5AA001](#) [BE-13-017](#) [MY-2477-01](#) [BS-12-B3AA013](#) [BC-25-5PD-300](#) [BS-08-B2AA016-R](#) [MY-AAA-22-J](#) [MY-AA-14-J](#) [MY-AAA-24-J](#) [MY-2032-28](#) [BS-06-A4BK016](#) [MY-FJ-01](#) [MY-1025-01](#) [MY-AA-5355-J](#) [BS-05-A1BJ018](#)