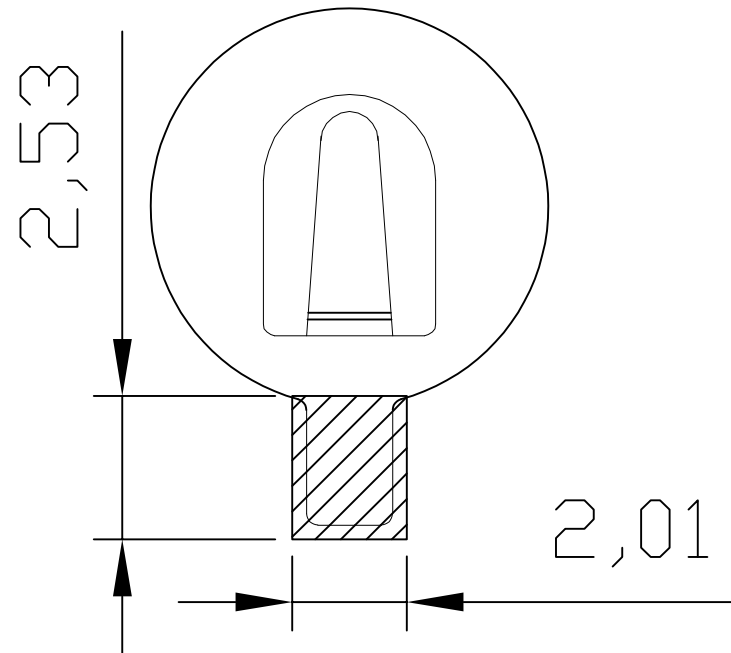
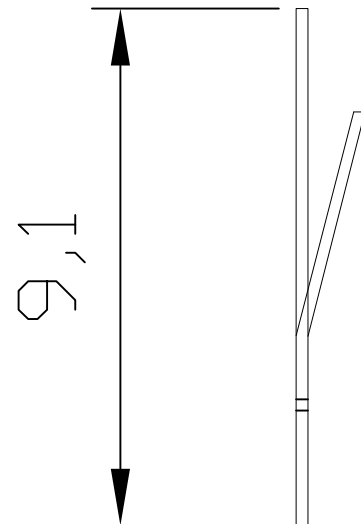
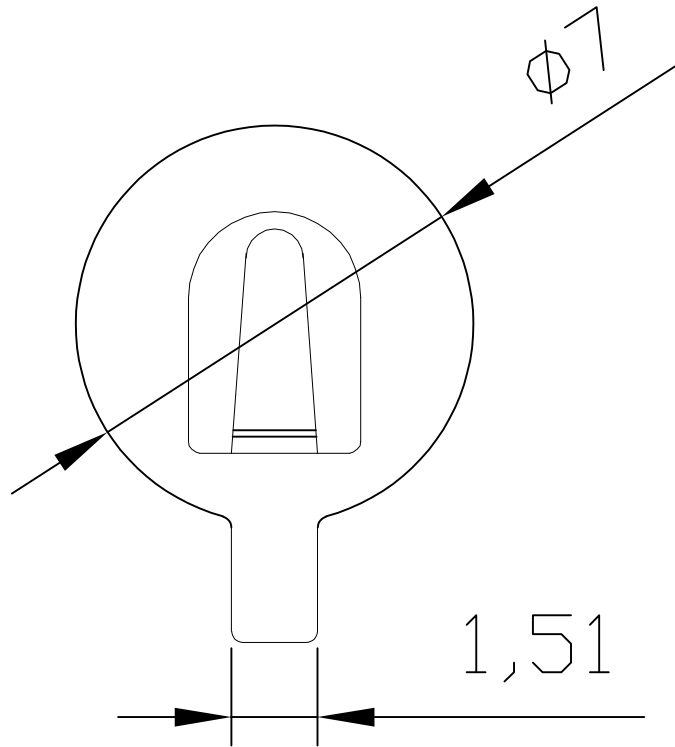




|      |         |         |      |
|------|---------|---------|------|
| REV. | ECN NO. | REVISED | DATE |
|      |         |         |      |



PCB Layout Diagram  
Top View

工程部  
2022-08-17  
H. WANG

|  |                                 |   |             |            |                          |
|--|---------------------------------|---|-------------|------------|--------------------------|
| UNLESS OTHERWISE SPECIFIED TOLERANCES                              |                                 | <b>MYOUNG 美用</b> <a href="http://www.meiyangdz.com">www.meiyangdz.com</a> |             |            |                          |
| DECIMALS:<br>X :±0.30<br>X.X :±0.25<br>X.XX :±0.20<br>X.XXX :±0.10 | ANGLES:<br>X :±1°<br>X.X :±0.5° | DSND  | YangFeng    | DATE       | 2022-08-17               |
| WEIGHT: 0.60g  |                                 | CHKD  | ZhouRuicai  | DATE       | 2022-08-17               |
| SHEET 1 OF 1   |                                 | APVD  | XueShunyong | DATE       | 2022-08-17               |
|  |                                 | SCALE: 2:1  | SIZE: A4    | VIEW:      | TITLE:<br>电池弹片负极-129 SMT |
|  |                                 | UNIT: mm  | REV.: A/0   | OBJECT: MY | PART NO.:<br>MY-FJ-129   |
|  |                                 |   |             |            | DRAW NO.:WD-CP-0223      |

|     |             |      |                 |                 |
|-----|-------------|------|-----------------|-----------------|
| 1   | TERMINAL(-) | 1    | C5191, T=0.20mm | Ni-Plating      |
| NO. | PART NAME   | Q'TY | MATERIAL        | PLATING & COLOR |

## X-ON Electronics

Largest Supplier of Electrical and Electronic Components

*Click to view similar products for [Coin Cell Battery Holders](#) category:*

*Click to view products by [MYOUNG](#) manufacturer:*

Other Similar products are found below :

[PDSN-11-D](#) [799-2007](#) [BH44AAB](#) [BH48DL](#) [BH8000](#) [MY-2430-01-R](#) [BS-16-B4AA006-R](#) [KH-CR1220-2](#) [BH-18650-A1AJ006](#) [BS-02-A1BK007](#) [BH-18650-A1AJ005](#) [BS-12-B3AA009-R](#) [BS-02-A1AK010-X](#) [BS-02-A1AJ010](#) [BS-03-A1AJ001](#) [MY-FJ-131-J-R](#) [MY-FJ-04-J-R](#) [BS-08-B2AA025](#) [BS-24-A1AJ017](#) [BH-18650-A5BJ001-2D](#) [BS-12-A1AJ002-Z](#) [BS-08-B2AA032](#) [MY-2032-04-R](#) [BS-12-B3AA011-R](#) [BS-621-B4AA001-R](#) [MY-ZJ-110](#) [MY-FJ-127-R](#) [BS-06-B4AA002-R](#) [MY-1220-04](#) [BH-AAA-A1AJ001](#) [BS-12-B3AA003-T](#) [MY-FJ-115II-R](#) [BS-06-B4AK001-R](#) [BH-18650-B1BA007](#) [MY-FJ-115II](#) [BH-AAA-B5AA001](#) [BE-13-017](#) [MY-2477-01](#) [BS-12-B3AA013](#) [BC-25-5PD-300](#) [BS-08-B2AA016-R](#) [MY-AAA-22-J](#) [MY-AA-14-J](#) [MY-AAA-24-J](#) [MY-2032-28](#) [BS-06-A4BK016](#) [MY-FJ-01](#) [MY-1025-01](#) [MY-AA-5355-J](#) [BS-05-A1BJ018](#)