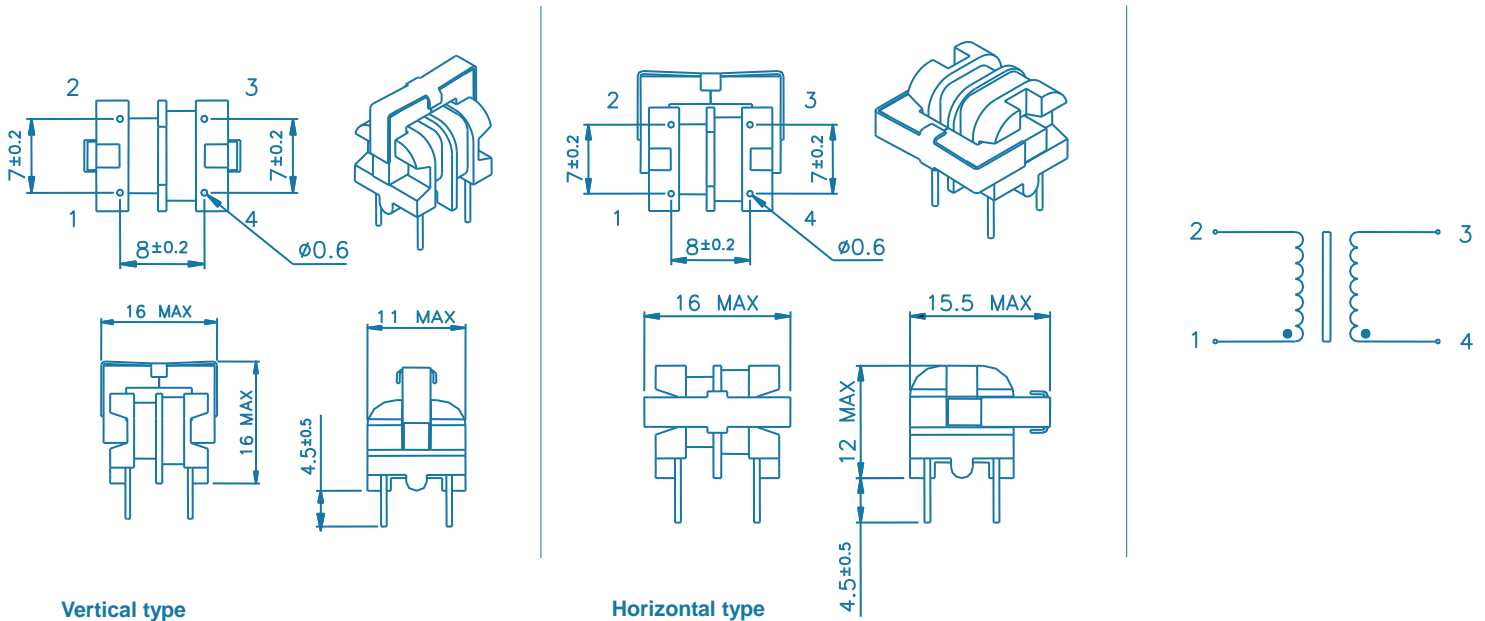


| | | | |
|---------------------------------|---------------------|---------------------------------|------------------------------------|
| Type VERT. and HORIZ. | Size U9.8 | Current 0.18 to 0.8 A | MYRRA P/N 74330 to 74339 |
|---------------------------------|---------------------|---------------------------------|------------------------------------|

Product designation

COMMON MODE CHOKE - U9.8

MECHANICAL CHARACTERISTICS - PINOUT



PCB recommended drilling diameter : 1.0 mm

ELECTRICAL CHARACTERISTICS

At 25 °C

| MYRRA P/N | | Common mode inductance (min. - max.) | Rated current | Resistance (per winding) | Differential mode inductance (min.) | Resonance frequency (min.) |
|-----------|------------|--------------------------------------|-----------------------|--------------------------|-------------------------------------|----------------------------|
| Vertical | Horizontal | | | | | |
| 74330 | 74335 | 33 ~ 56 mH | 0.18 A _{rms} | 7.0 Ω max. | 710 μH | 210 kHz |
| 74331 | 74336 | 18 ~ 31 mH | 0.26 A _{rms} | 3.5 Ω max. | 360 μH | 280 kHz |
| 74332 | 74337 | 10 ~ 17 mH | 0.35 A _{rms} | 2.0 Ω max. | 210 μH | 400 kHz |
| 74333 | 74338 | 4.7 ~ 8.0 mH | 0.5 A _{rms} | 0.95 Ω max. | 100 μH | 610 kHz |
| 74334 | 74339 | 2.2 ~ 3.7 mH | 0.8 A _{rms} | 0.40 Ω max. | 45 μH | 910 kHz |

REMARKS

- RoHS compliant
- UL94 V-0 materials
- Class B
- Ambient temperature: 50 °C max.
- 1.5 kV hi-pot between windings

X-ON Electronics

Largest Supplier of Electrical and Electronic Components

Click to view similar products for [Fixed Inductors](#) category:

Click to view products by [Myrra](#) manufacturer:

Other Similar products are found below :

[MLZ1608M6R8WTD25](#) [MLZ1608N6R8LT000](#) [MLZ1608N3R3LTD25](#) [MLZ1608N3R3LT000](#) [MLZ1608N150LT000](#)

[MLZ1608M150WTD25](#) [MLZ1608M3R3WTD25](#) [MLZ1608M3R3WT000](#) [MLZ1608M150WT000](#) [MLZ1608A1R5WT000](#)

[MLZ1608N1R5LT000](#) [B82432C1333K000](#) [PCMB053T-1R0MS](#) [PCMB053T-1R5MS](#) [PCMB104T-1R5MS](#) [CR32NP-100KC](#) [CR32NP-](#)

[151KC](#) [CR32NP-180KC](#) [CR32NP-181KC](#) [CR32NP-1R5MC](#) [CR32NP-390KC](#) [CR32NP-3R9MC](#) [CR32NP-680KC](#) [CR32NP-820KC](#)

[CR32NP-8R2MC](#) [CR43NP-390KC](#) [CR43NP-560KC](#) [CR43NP-680KC](#) [CR54NP-181KC](#) [CR54NP-470LC](#) [CR54NP-820KC](#) [CR54NP-8R5MC](#)

[MGDQ4-00004-P](#) [MGDU1-00016-P](#) [MHL1ECTTP18NJ](#) [MHL1JCTTD12NJ](#) [PE-51506NL](#) [PE-53601NL](#) [PE-53630NL](#) [PE-53824SNLT](#) [PE-](#)

[62892NL](#) [PE-92100NL](#) [PG0434.801NLT](#) [PG0936.113NLT](#) [PM06-2N7](#) [PM06-39NJ](#) [HC2LP-R47-R](#) [HC2-R47-R](#) [HC3-2R2-R](#) [HC8-1R2-R](#)