

# Threaded Screw

for Linear Actuators



## ORDER IDENTIFIER



### ZST6-1-

200-1 = screw length 200mm with standard end finishing

## TECHNICAL DATA

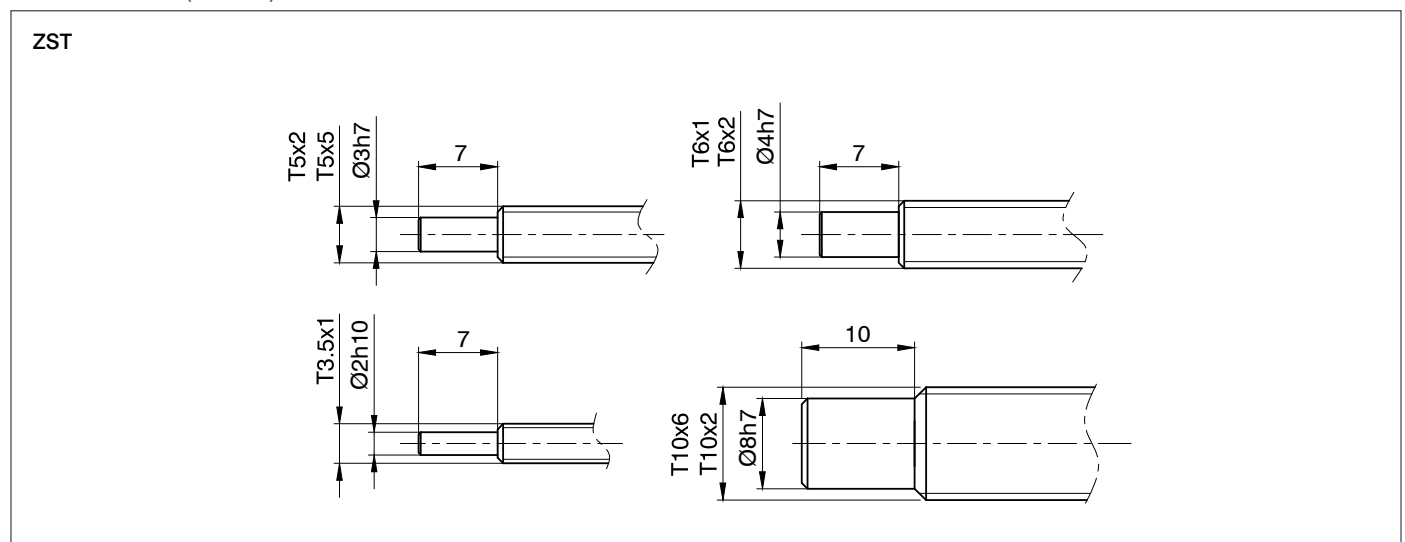
<b>Screw material</b>	Stainless (not resistant to acid and salt water)
<b>Tensile strength</b>	760 N/mm <sup>2</sup>
<b>Thread pitch delay mm/on section</b>	± 0.1/300mm

## VERSIONS

Type	Pitch mm	Ø Exterior mm	Ø Core mm	Suitable for	Max. Axial Play mm	Available Screw Lengths mm	Material Number
ZST3.5-1	1	3.5	2.3	L.....-T3.5x1	±0.06	200,500	1.4404
ZST6-1	1	6	4.7	L.....-T6x1	±0.05	200, 300, 1050	1.4021
ZST6-2	2	6	4.7	L.....-T6x2	±0.05	200, 300, 1500	1.4404
ZST5-2	2	5	3.7	L.....-T5x2	0.1	200, 300, 1000	1.4404
ZST5-5	5	5.4	3.6	L.....-T5x5	±0.1	200, 300, 1050	1.4021
ZST10-2	2	9.7	8.2	L.....-T10x2	±0.07	200, 300, 1050	1.4021
ZST10-6	6	10	6.5	L.....-T10x6	±0.05	200, 300, 1000	1.4021
ZSM6-1*	1	6	5	L.....-M6x1	±0.08	200, 300, 1000	1.4401

\*The ends of the ZSM6-1 screw and the screws >500 mm are not machined

## DIMENSIONS (IN MM)



## **X-ON Electronics**

Largest Supplier of Electrical and Electronic Components

*Click to view similar products for [Nanotec manufacturer](#):*

Other Similar products are found below :

[ST5918M3008-A](#) [STF2818X0504-A](#) [LSNUT-T6X2-F](#) [SP1518M0204-A](#) [ZST6-2-200-1](#) [C5-01](#) [DB59C024035-A](#) [ST2818M1006-B](#)

[ZKRS485-USB](#) [SMCI35](#) [ST2818S1006-B](#) [SP3575M0906-A](#) [ST4118L1804-A](#) [SP2575M0206-A](#)