

## N-Channel Enhancement Mode MOSFET

### Description

The NP2300MR-Y uses advanced trench technology to provide excellent  $R_{DS(ON)}$ , low gate charge and high density cell Design for ultra low on-resistance. This device is suitable for use as a load switch or in PWM applications.

### General Features

- ◆  $V_{DS} = 20V$ ,  $I_D = 5A$   
 $R_{DS(ON)}(Typ.) = 30m\Omega$  @  $V_{GS} = 2.5V$   
 $R_{DS(ON)}(Typ.) = 24m\Omega$  @  $V_{GS} = 4.5V$
- ◆ High power and current handling capability
- ◆ Lead free product is acquired
- ◆ Surface mount package

### Application

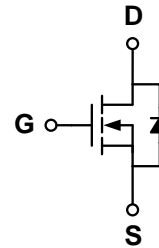
- ◆ PWM applications
- ◆ Load switch

### Package

- ◆ SOT-23-3L

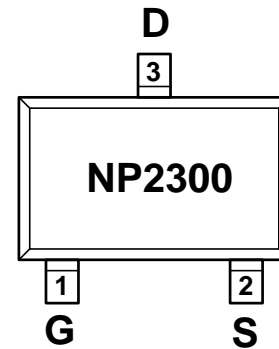


### Schematic diagram



### Marking and pin assignment

SOT-23-3L  
(TOP VIEW)



### Ordering Information

Part Number	Storage Temperature	Package	Devices Per Reel
NP2300MR-Y-G	-55°C to +150°C	SOT-23-3L	3000

### Absolute Maximum Ratings (TA=25°C unless otherwise noted)

parameter	symbol	limit	unit	
Drain-source voltage	$V_{DS}$	20	V	
Gate-source voltage	$V_{GS}$	±12	V	
Continuous Drain Current	$I_D$	$T_A = 25^\circ C$	5	A
		$T_A = 70^\circ C$	4	
Pulsed Drain Current <sup>C</sup>	$I_{DM}$	25	A	
Drain-source Diode forward current	$I_S$	2	A	
Maximum power dissipation	$P_D$	$T_A = 25^\circ C$	1.4	W
		$T_A = 70^\circ C$	0.9	
Operating junction Temperature range	$T_j$	-55—150	°C	

**Electrical Characteristics** (TA=25°C unless otherwise noted)

Parameter	Symbol	Condition	Min	Typ	Max	Unit
<b>OFF Characteristics</b>						
Drain-source breakdown voltage	$BV_{DSS}$	$V_{GS}=0V, I_D=250\mu A$	20	-	-	V
Zero gate voltage drain current	$I_{DSS}$	$V_{DS}=20V, V_{GS}=0V$	-	-	1	$\mu A$
Gate-body leakage	$I_{GSS}$	$V_{DS}=0V, V_{GS}=\pm 12V$	-	-	$\pm 100$	nA
<b>ON Characteristics</b>						
Gate threshold voltage	$V_{GS(th)}$	$V_{DS}=V_{GS}, I_D=250\mu A$	0.45	0.66	1.3	V
Drain-source on-state resistance	$R_{DS(ON)}$	$V_{GS}=4.5V, I_D=5A$	-	24	30	m $\Omega$
		$V_{GS}=2.5V, I_D=3A$		30	36	
Forward transconductance	$g_{fs}$	$V_{GS}=5V, I_D=4A$	-	10	-	S
<b>Dynamic Characteristics</b>						
Input capacitance	$C_{ISS}$	$V_{DS}=8V, V_{GS}=0V$ $f=1.0MHz$	-	525	-	pF
Output capacitance	$C_{OSS}$		-	95	-	
Reverse transfer capacitance	$C_{RSS}$		-	75	-	
<b>Switching Characteristics</b>						
Turn-on delay time	$t_{D(ON)}$	$V_{DS}=10V$ $I_D=1A$ $V_{GS}=4V$ $R_{GEN}=10ohm$	-	3	-	ns
Rise time	$t_r$		-	7.5	-	
Turn-off delay time	$t_{D(OFF)}$		-	20	-	
Fall time	$t_f$		-	6	-	
Total gate charge	$Q_g$	$V_{DS}=10V, I_D=4A$ $V_{GS}=4.5V$	-	12.5	-	nC
Gate-source charge	$Q_{gs}$		-	1	-	
Gate-drain charge	$Q_{gd}$		-	2	-	
<b>DRAIN-SOURCE DIODE CHARACTERISTICS</b>						
Diode forward voltage	$V_{SD}$	$V_{GS}=0V, I_s=1A$	-	0.76	1.16	V

**Thermal Characteristics**

Parameter	Symbol	Typ.	Max.	Unit
Maximum Junction-to-Ambient <sup>A</sup>	$R_{\theta JA}$	70	90	°C/W
Maximum Junction-to-Ambient <sup>A D</sup>		Steady-State	100	
Maximum Junction-to-Lead	$R_{\theta JL}$	62	80	

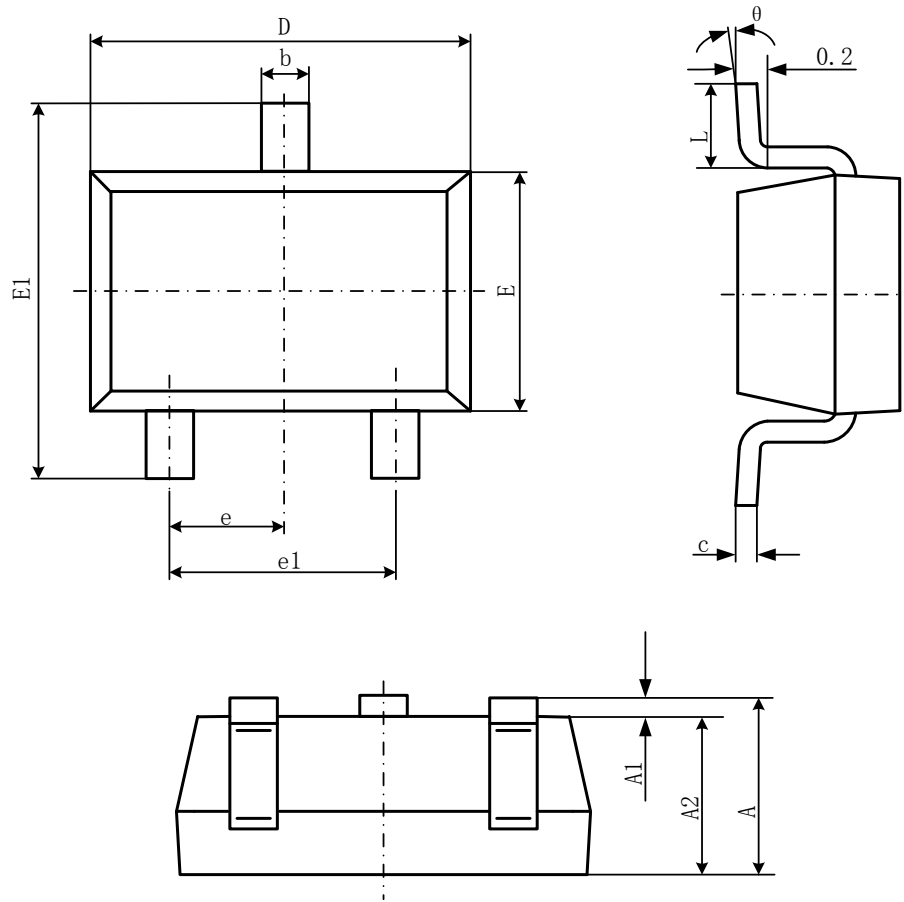
A. The value of  $R_{\theta JA}$  is measured with the device mounted on 1in<sup>2</sup> FR-4 board with 2oz. Copper, in a still air environment with  $T_A=25^\circ C$ . The value in any given application depends on the user's specific board design.

B. The power dissipation PD is based on  $T_{J(MAX)}=150^\circ C$ , using  $\leq 10s$  junction-to-ambient thermal resistance.

C. Repetitive rating, pulse width limited by jun

## Package Information

- SOT-23-3L



Symbol	Dimensions In Millimeters		Dimensions In Inches	
	Min	Max	Min	Max
A	1.050	1.250	0.041	0.049
A1	0.000	0.100	0.000	0.004
A2	1.050	1.150	0.041	0.045
b	0.300	0.500	0.012	0.020
c	0.100	0.200	0.004	0.008
D	2.820	3.020	0.111	0.119
E	1.500	1.700	0.059	0.067
E1	2.650	2.950	0.104	0.116
e	0.950(BSC)		0.037(BSC)	
e1	1.800	2.000	0.071	0.079
L	0.300	0.600	0.012	0.024
$\theta$	0°	8°	0°	8°

## X-ON Electronics

Largest Supplier of Electrical and Electronic Components

*Click to view similar products for [MOSFET](#) category:*

*Click to view products by [NATLINEAR](#) manufacturer:*

Other Similar products are found below :

[IRFD120](#) [JANTX2N5237](#) [BUK455-60A/B](#) [MIC4420CM-TR](#) [VN1206L](#) [NDP4060](#) [SI4482DY](#) [IPS70R2K0CEAKMA1](#) [SQD23N06-31L-GE3](#)  
[TK16J60W,S1VQ\(O](#) [2SK2614\(TE16L1,Q\)](#) [DMN1017UCP3-7](#) [DMN1053UCP4-7](#) [SQJ469EP-T1-GE3](#) [NTE2384](#) [DMC2700UDMQ-7](#)  
[DMN2080UCB4-7](#) [DMN61D9UWQ-13](#) [US6M2GTR](#) [DMN31D5UDJ-7](#) [DMP22D4UFO-7B](#) [DMN1006UCA6-7](#) [DMN16M9UCA6-7](#)  
[STF5N65M6](#) [IRF40H233XTMA1](#) [STU5N65M6](#) [DMN6022SSD-13](#) [DMN13M9UCA6-7](#) [DMTH10H4M6SPS-13](#) [DMN2990UFB-7B](#)  
[IPB80P04P405ATMA2](#) [2N7002W-G](#) [MCAC30N06Y-TP](#) [MCQ7328-TP](#) [BXP7N65D](#) [BXP4N65F](#) [AOL1454G](#) [WMJ80N60C4](#) [BXP2N20L](#)  
[BXP2N65D](#) [BXT1150N10J](#) [BXT1700P06M](#) [TSM60NB380CP](#) [ROG](#) [RQ7L055BGTCR](#) [DMNH15H110SK3-13](#) [SLF10N65ABV2](#)  
[BSO203SP](#) [BSO211P](#) [IPA60R230P6](#) [IPA60R460CE](#)