

N-Channel Super Junction Power MOSFET III

General Description

The series of devices use advanced trench gate super junction technology and design to provide excellent $R_{DS(ON)}$ with low gate charge. This super junction MOSFET fits the industry's AC-DC SMPS requirements for PFC, AC/DC power conversion, and industrial power applications.

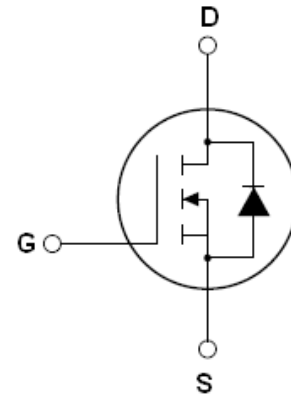
Features

- New technology for high voltage device
- Low on-resistance and low conduction losses
- small package
- Ultra Low Gate Charge cause lower driving requirements
- 100% Avalanche Tested
- ROHS compliant

Application

- Power factor correction (PFC)
- Switched mode power supplies(SMPS)
- Uninterruptible Power Supply (UPS)

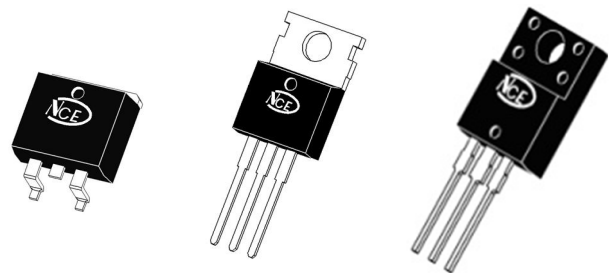
| | | |
|-----------------|------|------------|
| V_{DS} | 650 | V |
| $R_{DS(ON)TYP}$ | 290 | m Ω |
| I_D | 11.5 | A |



Schematic diagram

Package Marking And Ordering Information

| Device | Device Package | Marking |
|------------|----------------|------------|
| NCE65T360D | TO-263 | NCE65T360D |
| NCE65T360 | TO-220 | NCE65T360 |
| NCE65T360F | TO-220F | NCE65T360F |



TO-263

TO-220

TO-220F

Table 1. Absolute Maximum Ratings ($T_C=25^\circ\text{C}$)

| Parameter | Symbol | NCE65T360D NCE65T360 | NCE65T360F | Unit |
|---|-----------------|-------------------------|------------|---------------------|
| Drain-Source Voltage ($V_{GS}=0V$) | V_{DS} | 650 | | V |
| Gate-Source Voltage ($V_{DS}=0V$), AC($f>1\text{HZ}$) | V_{GS} | ± 30 | | V |
| Continuous Drain Current at $T_C=25^\circ\text{C}$ | $I_{D(DC)}$ | 11.5 | 11.5* | A |
| Continuous Drain Current at $T_C=100^\circ\text{C}$ | $I_{D(DC)}$ | 7 | 7* | A |
| Pulsed drain current (Note 1) | $I_{DM(pluse)}$ | 46 | 46* | A |
| Maximum Power Dissipation($T_C=25^\circ\text{C}$) | P_D | 101 | 32.6 | W |
| Derate above 25°C | | 0.81 | 0.26 | W/ $^\circ\text{C}$ |
| Single pulse avalanche energy (Note2) | E_{AS} | 144 | | mJ |
| Avalanche current (Note 1) | I_{AR} | 6 | | A |
| Repetitive Avalanche energy , t_{AR} limited by T_{jmax} (Note 1) | E_{AR} | 0.5 | | mJ |

| Parameter | Symbol | NCE65T360D NCE65T360 | NCE65T360F | Unit |
|---|----------------|-------------------------|------------|------|
| Drain Source voltage slope, $V_{DS} \leq 480V$, | dv/dt | 50 | | V/ns |
| Reverse diode dv/dt, $V_{DS} \leq 480V, I_{SD} < I_D$ | dv/dt | 15 | | V/ns |
| Operating Junction and Storage Temperature Range | T_J, T_{STG} | -55...+150 | | °C |

* limited by maximum junction temperature

Table 2. Thermal Characteristic

| Parameter | Symbol | NCE65T360D NCE65T360 | NCE65T360F | Unit |
|---|------------|-------------------------|------------|------|
| Thermal Resistance, Junction-to-Case (Maximum) | R_{thJC} | 1.24 | 3.83 | °C/W |
| Thermal Resistance, Junction-to-Ambient (Maximum) | R_{thJA} | 62 | 80 | °C/W |

Table 3. Electrical Characteristics (TA=25°C unless otherwise noted)

| Parameter | Symbol | Condition | Min | Typ | Max | Unit |
|--|--------------|---|-----|------|------|------|
| On/off states | | | | | | |
| Drain-Source Breakdown Voltage | BV_{DSS} | $V_{GS}=0V, I_D=250\mu A$ | 650 | | | V |
| Zero Gate Voltage Drain Current(Tc=25°C) | I_{DSS} | $V_{DS}=650V, V_{GS}=0V$ | | 0.05 | 1 | μA |
| Zero Gate Voltage Drain Current(Tc=125°C) | I_{DSS} | $V_{DS}=650V, V_{GS}=0V$ | | | 100 | μA |
| Gate-Body Leakage Current | I_{GSS} | $V_{GS}=\pm 20V, V_{DS}=0V$ | | | ±100 | nA |
| Gate Threshold Voltage | $V_{GS(th)}$ | $V_{DS}=V_{GS}, I_D=250\mu A$ | 3 | 3.5 | 4 | V |
| Drain-Source On-State Resistance | $R_{DS(on)}$ | $V_{GS}=10V, I_D=7A$ | | 290 | 360 | mΩ |
| Dynamic Characteristics | | | | | | |
| Input Capacitance | C_{iss} | $V_{DS}=50V, V_{GS}=0V,$ $F=1.0MHz$ | | 870 | | pF |
| Output Capacitance | C_{oss} | | | 54 | | pF |
| Reverse Transfer Capacitance | C_{rss} | | | 1.8 | | pF |
| Total Gate Charge | Q_g | $V_{DS}=480V, I_D=11.5A,$ $V_{GS}=10V$ | | 19 | | nC |
| Gate-Source Charge | Q_{gs} | | | 6 | | nC |
| Gate-Drain Charge | Q_{gd} | | | 6.5 | | nC |
| Switching times | | | | | | |
| Turn-on Delay Time | $t_{d(on)}$ | $V_{DD}=380V, I_D=5.5A,$ $R_G=3\Omega, V_{GS}=10V$ | | 11 | | nS |
| Turn-on Rise Time | t_r | | | 8 | | nS |
| Turn-Off Delay Time | $t_{d(off)}$ | | | 58 | 70 | nS |
| Turn-Off Fall Time | t_f | | | 9 | 14 | nS |
| Source- Drain Diode Characteristics | | | | | | |
| Source-drain current(Body Diode) | I_{SD} | $T_C=25^\circ C$ | | | 11.5 | A |
| Pulsed Source-drain current(Body Diode) | I_{SDM} | | | | 46 | A |
| Forward on voltage | V_{SD} | $T_J=25^\circ C, I_{SD}=11.5A, V_{GS}=0V$ | | 0.9 | 1.2 | V |
| Reverse Recovery Time | t_{rr} | $T_J=25^\circ C, I_F=5.8A,$ $di/dt=100A/\mu s$ | | 220 | | nS |
| Reverse Recovery Charge | Q_{rr} | | | 2.2 | | uC |
| Peak Reverse Recovery Current | I_{rrm} | | | 19 | | A |

Notes: 1.Repetitive Rating: Pulse width limited by maximum junction temperature

2. $T_J=25^\circ C, V_{DD}=50V, V_G=10V, R_G=25\Omega$

TYPICAL ELECTRICAL AND THERMAL CHARACTERISTICS (curves)

Figure1. Safe operating area

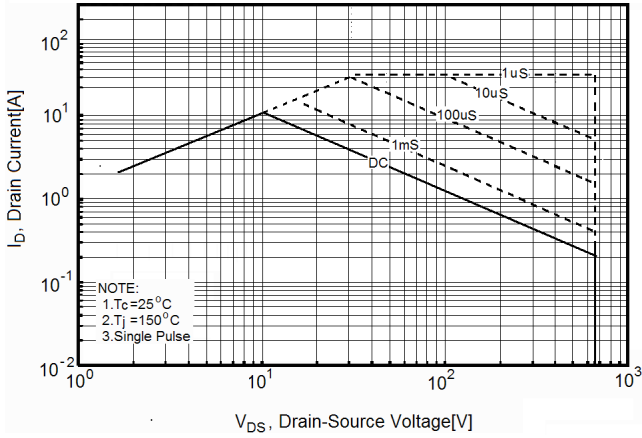


Figure2. Safe operating area for TO-220F

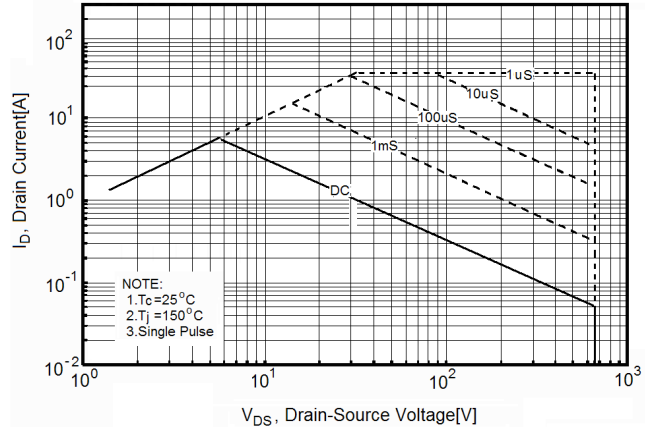


Figure3. Source-Drain Diode Forward Voltage

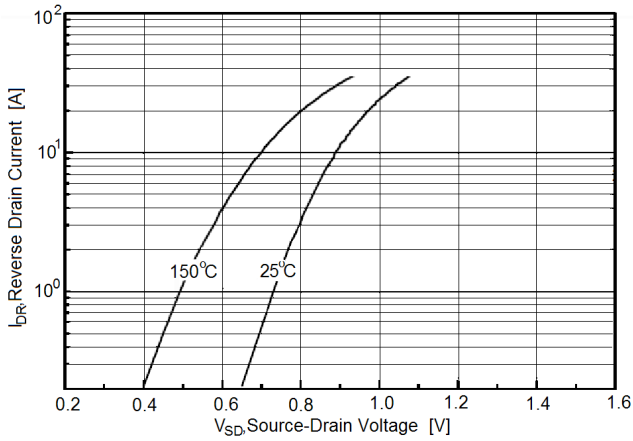


Figure4. Output characteristics

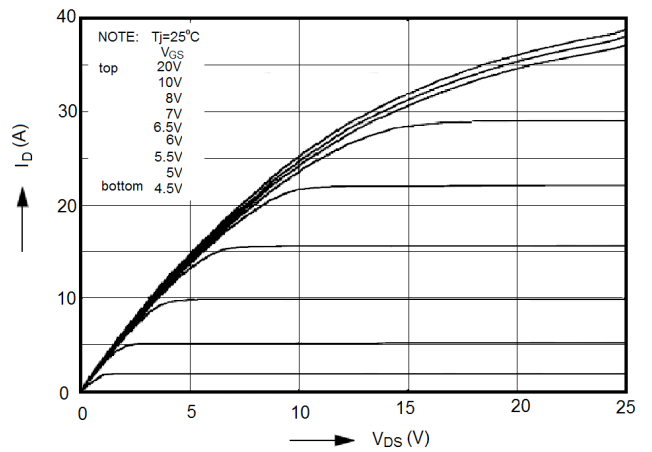


Figure5. Transfer characteristics

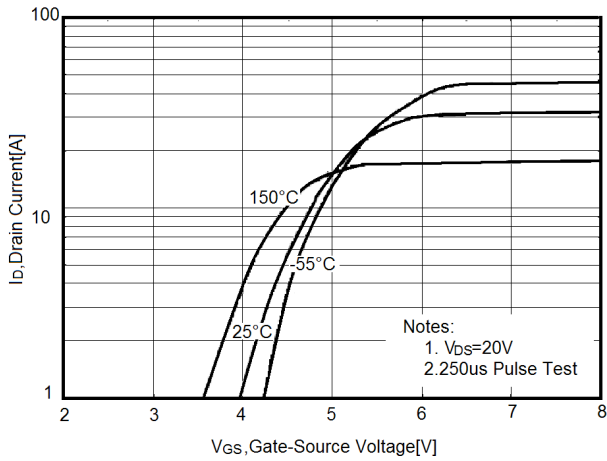


Figure6. Static drain-source on resistance

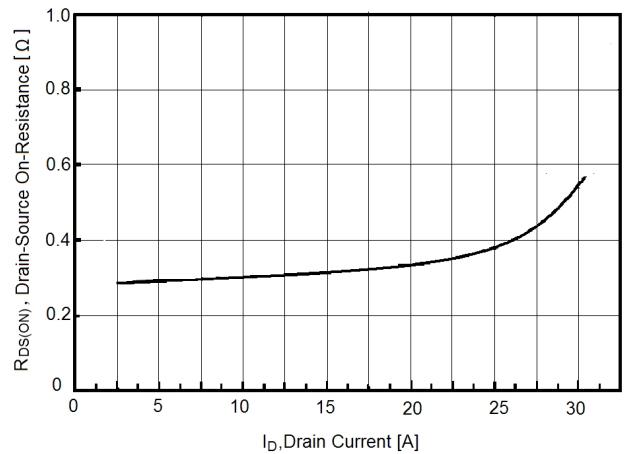


Figure7. $R_{DS(on)}$ vs Junction Temperature

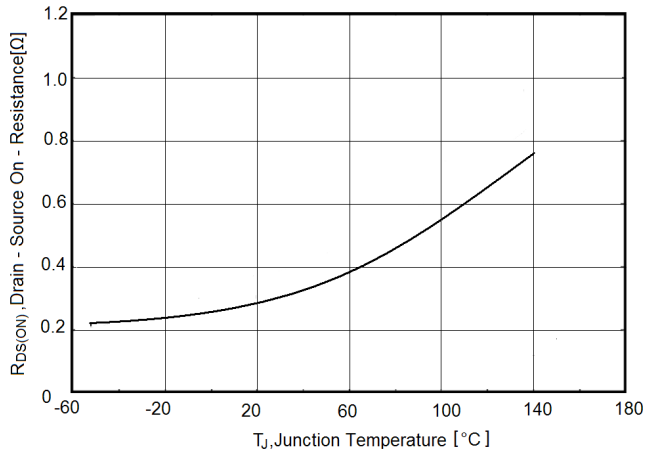


Figure8. BV_{DSS} vs Junction Temperature

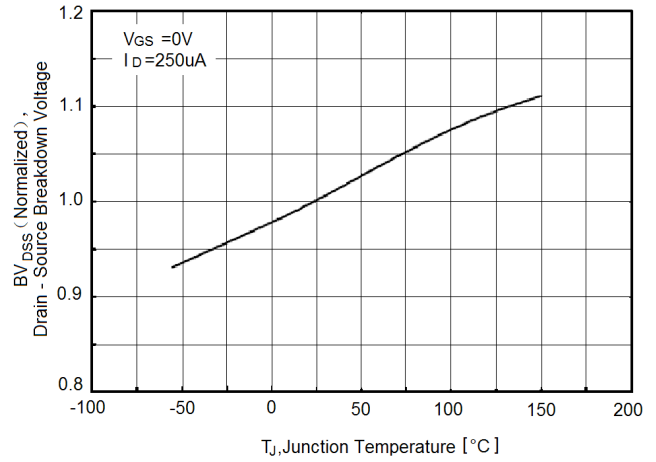


Figure9. Maximum I_D vs Junction Temperature

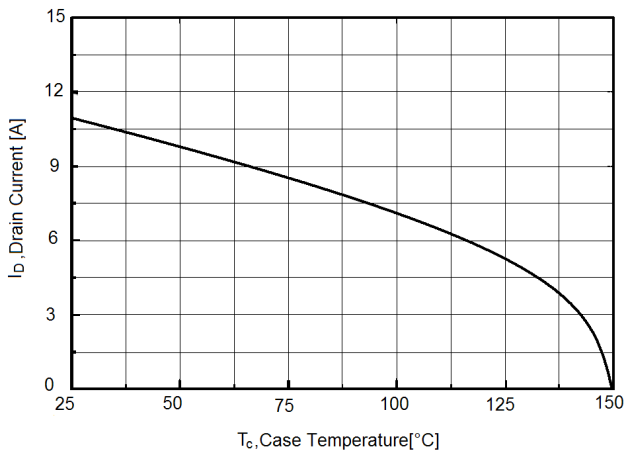


Figure10. Gate charge waveforms

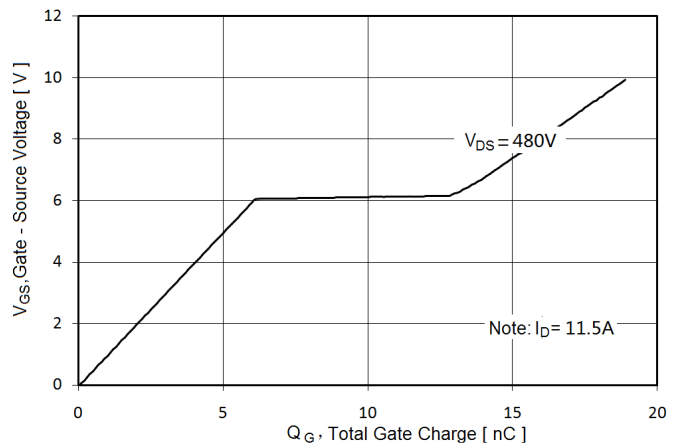


Figure11. Capacitance

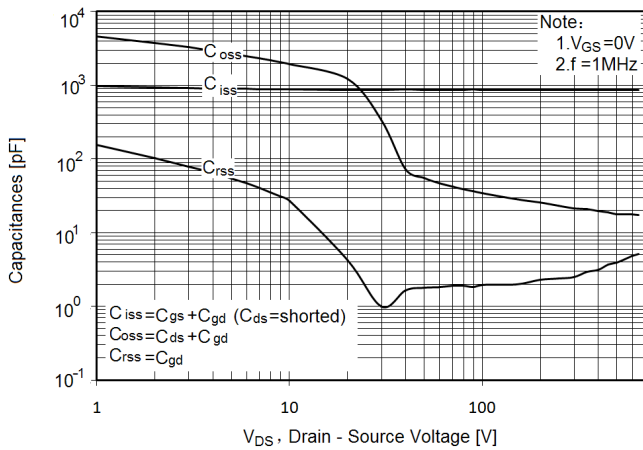


Figure12. Transient Thermal Impedance

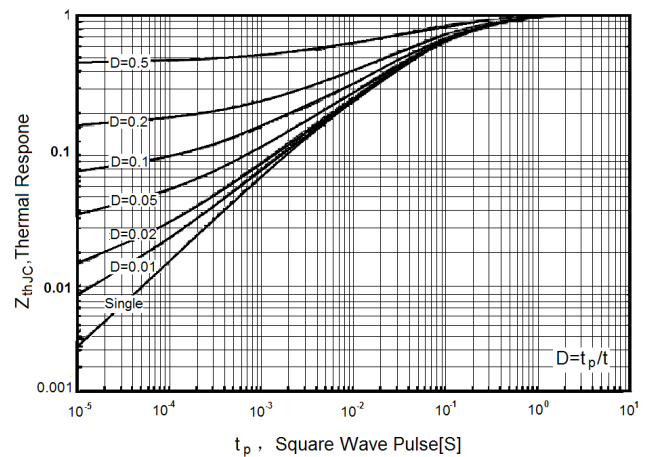
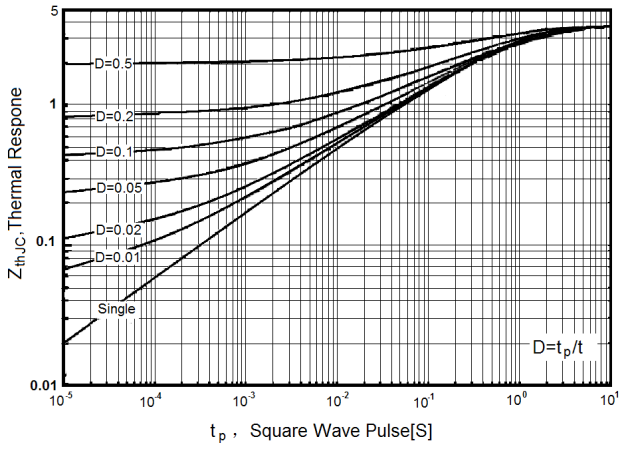
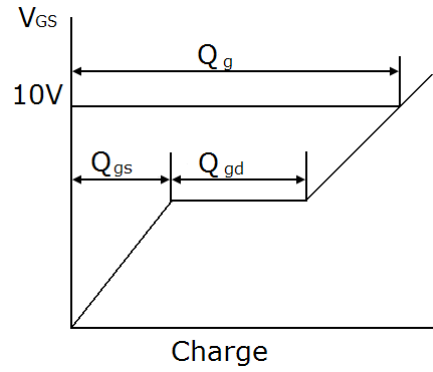
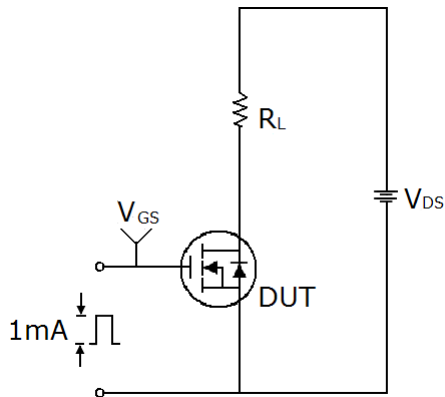


Figure13. Transient Thermal Impedance for TO-220F

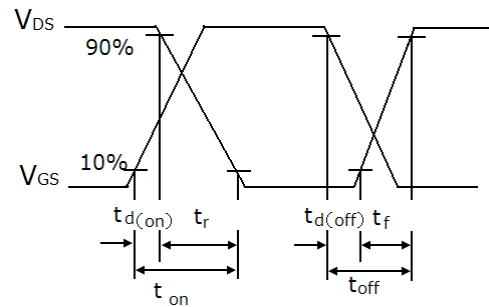
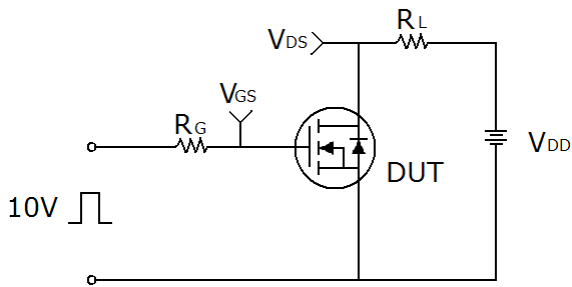


Test circuit

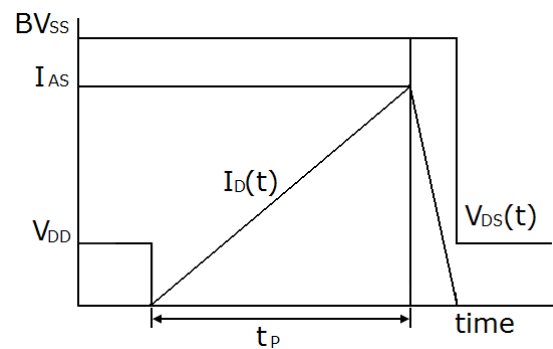
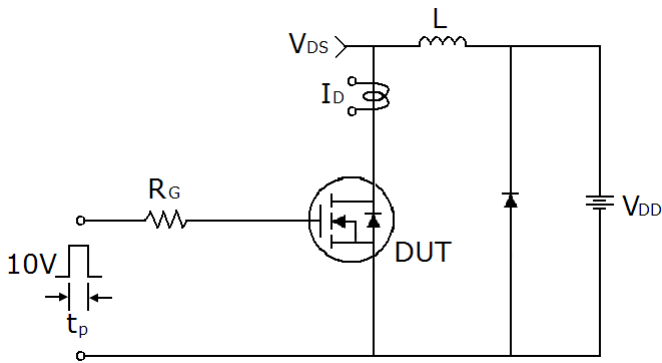
1) Gate charge test circuit & Waveform



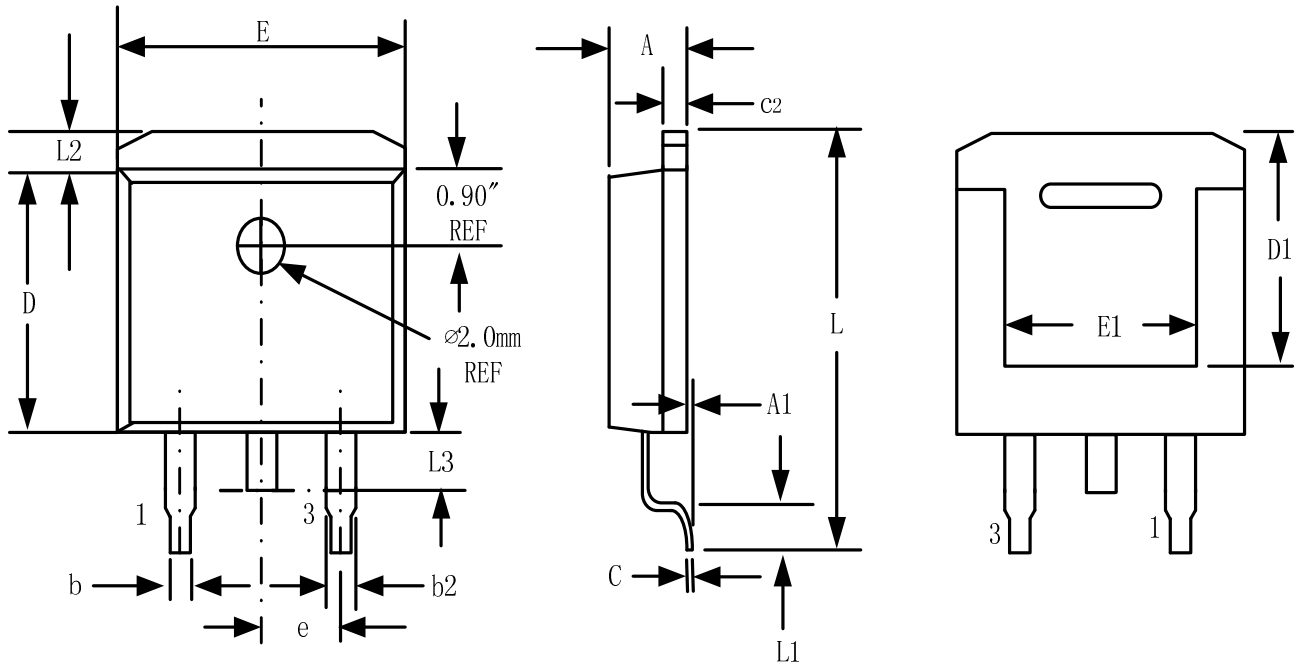
2) Switch Time Test Circuit:



3) Unclamped Inductive Switching Test Circuit & Waveforms

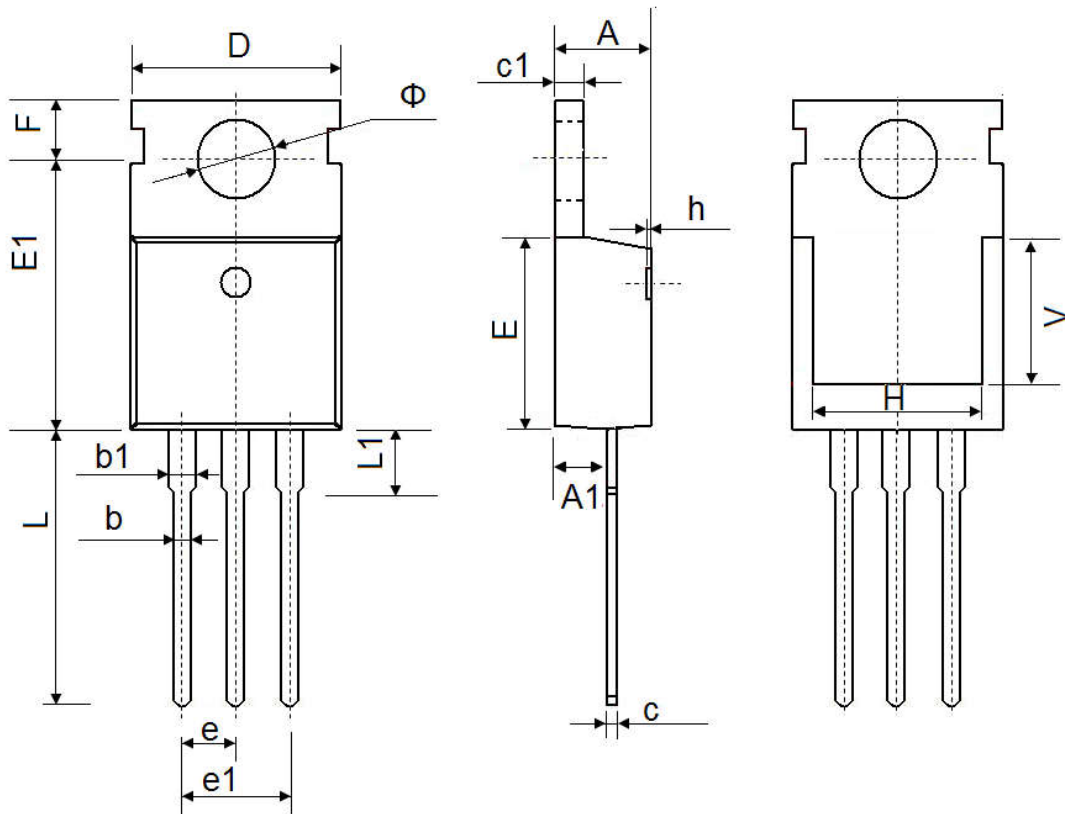


TO-263-3L Package Information



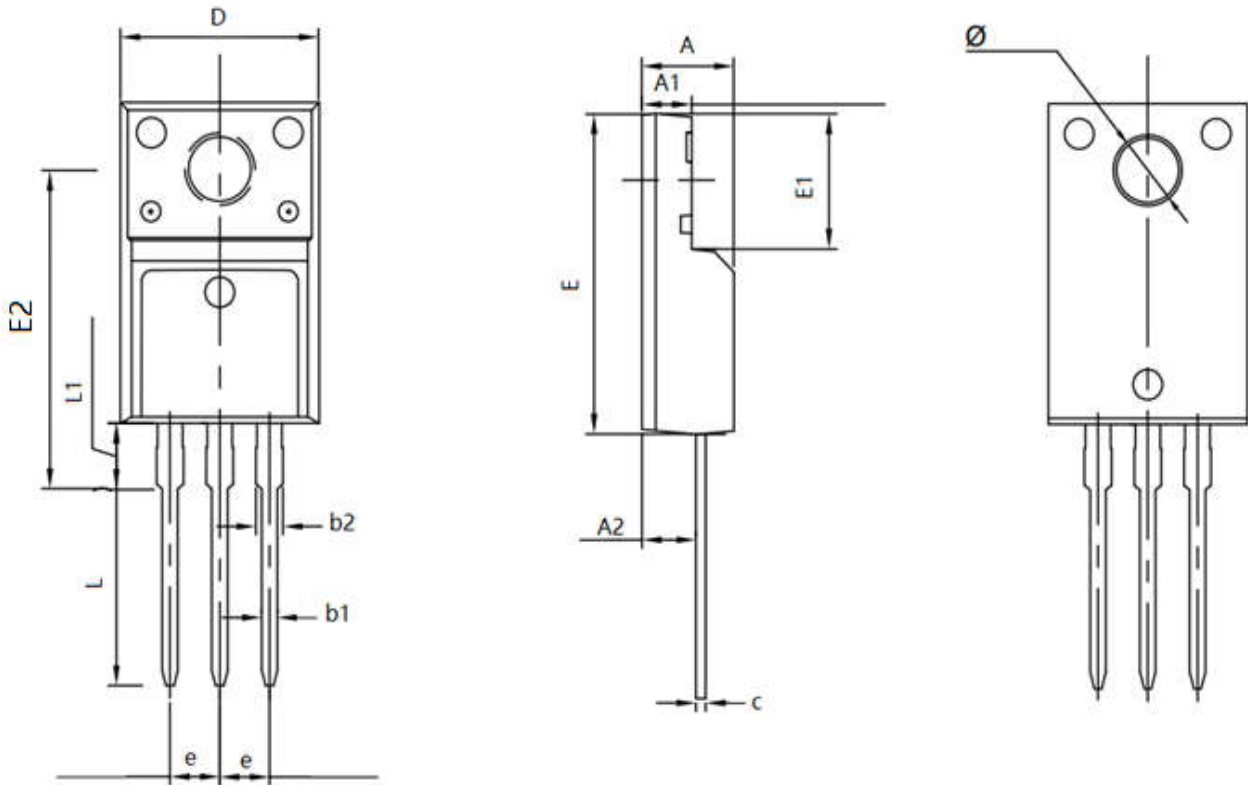
| Symbol | Dimensions In Millimeters | | Dimensions In Inches | |
|--------|---------------------------|-------|----------------------|-------|
| | Min. | Max. | Min. | Max. |
| A | 4.32 | 4.57 | 0.170 | 0.180 |
| A1 | - | 0.25 | | 0.010 |
| b | 0.71 | 0.94 | 0.028 | 0.037 |
| b2 | 1.15 | 1.40 | 0.045 | 0.055 |
| c | 0.46 | 0.61 | 0.018 | 0.024 |
| c2 | 1.22 | 1.40 | 0.048 | 0.055 |
| D | 8.89 | 9.40 | 0.350 | 0.370 |
| D1 | 8.01 | 8.23 | 0.315 | 0.324 |
| E | 10.04 | 10.28 | 0.395 | 0.405 |
| E1 | 7.88 | 8.08 | 0.310 | 0.318 |
| e | 2.54 BSC | | 0.100 BSC | |
| L | 14.73 | 15.75 | 0.580 | 0.620 |
| L1 | 2.29 | 2.79 | 0.090 | 0.110 |
| L2 | 1.15 | 1.39 | 0.045 | 0.055 |
| L3 | 1.27 | 1.77 | 0.050 | 0.070 |

TO-220-3L-C Package Information



| Symbol | Dimensions In Millimeters | | Dimensions In Inches | |
|--------|---------------------------|--------|----------------------|-------|
| | Min. | Max. | Min. | Max. |
| A | 4.400 | 4.600 | 0.173 | 0.181 |
| A1 | 2.250 | 2.550 | 0.089 | 0.100 |
| b | 0.710 | 0.910 | 0.028 | 0.036 |
| b1 | 1.170 | 1.370 | 0.046 | 0.054 |
| c | 0.330 | 0.650 | 0.013 | 0.026 |
| c1 | 1.200 | 1.400 | 0.047 | 0.055 |
| D | 9.910 | 10.250 | 0.390 | 0.404 |
| E | 8.9500 | 9.750 | 0.352 | 0.384 |
| E1 | 12.650 | 12.950 | 0.498 | 0.510 |
| e | 2.540 TYP. | | 0.100 TYP. | |
| e1 | 4.980 | 5.180 | 0.196 | 0.204 |
| F | 2.650 | 2.950 | 0.104 | 0.116 |
| H | 7.900 | 8.100 | 0.311 | 0.319 |
| h | 0.000 | 0.300 | 0.000 | 0.012 |
| L | 12.900 | 13.400 | 0.508 | 0.528 |
| L1 | 2.850 | 3.250 | 0.112 | 0.128 |
| V | 7.500 REF. | | 0.295 REF. | |
| Φ | 3.400 | 3.800 | 0.134 | 0.150 |

TO-220F Package Information



| Symbol | Dimensions In Millimeters | | Dimensions In Inches | |
|--------|---------------------------|--------|----------------------|-------|
| | Min. | Max. | Min. | Max. |
| A | 4.500 | 4.900 | 0.177 | 0.193 |
| A1 | 2.340 | 2.740 | 0.092 | 0.108 |
| A2 | 2.560 | 2.960 | 0.101 | 0.117 |
| b1 | 0.700 | 0.900 | 0.028 | 0.035 |
| b2 | 1.180 | 1.580 | 0.046 | 0.062 |
| c | 0.400 | 0.600 | 0.016 | 0.024 |
| D | 9.960 | 10.360 | 0.392 | 0.408 |
| E | 15.670 | 15.970 | 0.617 | 0.629 |
| E1 | 6.500 | 6.900 | 0.256 | 0.272 |
| E2 | 15.500 | 16.100 | 0.610 | 0.634 |
| e | 2.540 TYP | | 0.100 TYP | |
| Φ | 3.080 | 3.280 | 0.121 | 0.129 |
| L | 12.640 | 13.240 | 0.498 | 0.521 |
| L1 | 3.030 | 3.430 | 0.119 | 0.135 |



ATTENTION:

- Any and all NCE products described or contained herein do not have specifications that can handle applications that require extremely high levels of reliability, such as life-support systems, aircraft's control systems, or other applications whose failure can be reasonably expected to result in serious physical and/or material damage. Consult with your NCE representative nearest you before using any NCE products described or contained herein in such applications.
- NCE assumes no responsibility for equipment failures that result from using products at values that exceed, even momentarily, rated values (such as maximum ratings, operating condition ranges, or other parameters) listed in products specifications of any and all NCE products described or contained herein.
- Specifications of any and all NCE products described or contained herein stipulate the performance, characteristics, and functions of the described products in the independent state, and are not guarantees of the performance, characteristics, and functions of the described products as mounted in the customer's products or equipment. To verify symptoms and states that cannot be evaluated in an independent device, the customer should always evaluate and test devices mounted in the customer's products or equipment.
- NCE Power Semiconductor CO.,LTD. strives to supply high-quality high-reliability products. However, any and all semiconductor products fail with some probability. It is possible that these probabilistic failures could give rise to accidents or events that could endanger human lives, that could give rise to smoke or fire, or that could cause damage to other property. When designing equipment, adopt safety measures so that these kinds of accidents or events cannot occur. Such measures include but are not limited to protective circuits and error prevention circuits for safe design, redundant design, and structural design.
- In the event that any or all NCE products(including technical data, services) described or contained herein are controlled under any of applicable local export control laws and regulations, such products must not be exported without obtaining the export license from the authorities concerned in accordance with the above law.
- No part of this publication may be reproduced or transmitted in any form or by any means, electronic or mechanical, including photocopying and recording, or any information storage or retrieval system, or otherwise, without the prior written permission of NCE Power Semiconductor CO.,LTD.
- Information (including circuit diagrams and circuit parameters) herein is for example only ; it is not guaranteed for volume production. NCE believes information herein is accurate and reliable, but no guarantees are made or implied regarding its use or any infringements of intellectual property rights or other rights of third parties.
- Any and all information described or contained herein are subject to change without notice due to product/technology improvement, etc. When designing equipment, refer to the "Delivery Specification" for the NCE product that you intend to use.
- This catalog provides information as of Mar. 2010. Specifications and information herein are subject to change without notice.

X-ON Electronics

Largest Supplier of Electrical and Electronic Components

Click to view similar products for [MOSFET](#) category:

Click to view products by [NCE Power](#) manufacturer:

Other Similar products are found below :

[IRFD120](#) [JANTX2N5237](#) [BUK455-60A/B](#) [MIC4420CM-TR](#) [VN1206L](#) [NDP4060](#) [SI4482DY](#) [IPS70R2K0CEAKMA1](#) [SQD23N06-31L-GE3](#)
[TK16J60W,S1VQ\(O](#) [2SK2614\(TE16L1,Q\)](#) [DMN1017UCP3-7](#) [DMN1053UCP4-7](#) [SQJ469EP-T1-GE3](#) [NTE2384](#) [DMC2700UDMQ-7](#)
[DMN2080UCB4-7](#) [DMN61D9UWQ-13](#) [US6M2GTR](#) [DMN31D5UDJ-7](#) [DMP22D4UFO-7B](#) [DMN1006UCA6-7](#) [DMN16M9UCA6-7](#)
[STF5N65M6](#) [IRF40H233XTMA1](#) [STU5N65M6](#) [DMN6022SSD-13](#) [DMN13M9UCA6-7](#) [DMTH10H4M6SPS-13](#) [DMN2990UFB-7B](#)
[IPB80P04P405ATMA2](#) [2N7002W-G](#) [MCAC30N06Y-TP](#) [MCQ7328-TP](#) [BXP7N65D](#) [BXP4N65F](#) [AOL1454G](#) [WMJ80N60C4](#) [BXP2N20L](#)
[BXP2N65D](#) [BXT1150N10J](#) [BXT1700P06M](#) [TSM60NB380CP](#) [ROG](#) [RQ7L055BGTCR](#) [DMNH15H110SK3-13](#) [SLF10N65ABV2](#)
[BSO203SP](#) [BSO211P](#) [IPA60R230P6](#) [IPA60R460CE](#)