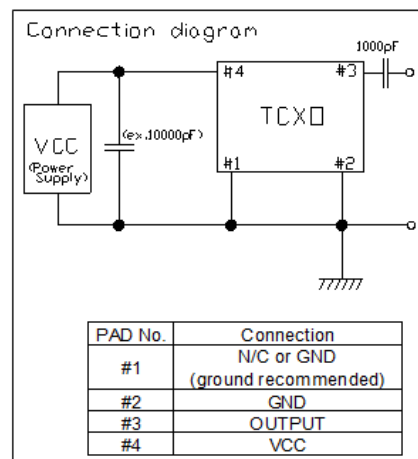
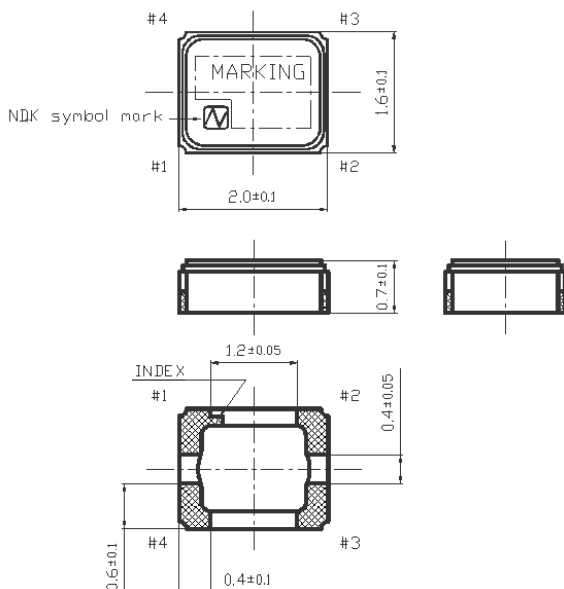


<p>1 NDK Part Number</p> <p>2 Chipset Maker</p> <p>3 Application</p> <p>4 Chipset Name</p> <p>5 NDK Specification Number</p> <p>6 Type</p> <p>7 Rating</p> <p>7.1 Nominal Frequency (f_{nom})</p> <p>7.2 Supply Voltage</p> <p>7.3 Current Consumption</p> <p>7.4 Output Voltage</p> <p>7.5 Operable Temperature Range</p> <p>7.6 Storage Temperature Range</p> <p>7.7 Load impedance</p> <p>7.8 DC-cut Capacitor</p> <p>8 Electrical specification</p> <p>8.1 Frequency Stability</p> <p>8.1.1 Frequency / Temperature characteristics</p> <p>8.1.2 Frequency temperature slope</p> <p>8.1.3 Frequency / Voltage coefficient</p> <p>8.1.4 Frequency / Load coefficient</p> <p>8.1.5 Frequency tolerance</p> <p>8.1.6 Long-term Frequency Stability</p> <p>8.2 Short-term frequency stability</p> <p>8.3 Start-up time</p> <p>8.4 Stabilization Time</p> <p>8.5 Harmonic distortion</p> <p>8.6 Symmetry</p> <p>8.7 Phase Noise</p>	<p>NT2016SA-16.368000 MHz-NTG1</p> <p>TEXAS INSTRUMENTS</p> <p>GPS on mobile phone</p> <p>NL5350</p> <p>NSA0345B</p> <p>NT2016SA</p> <p>16.368 MHz (3 digits marking without the decimal point: 163)</p> <p>+2.5 V +/-0.1 V DC (-Earth)</p> <p>Max. 1.5 mA</p> <p>Min. 0.8 V_{p-p} Clipped sine wave (DC-Coupling)</p> <p>-30 to +85 °C</p> <p>-40 to +85 °C</p> <p>10 kΩ // 10 pF</p> <p>DC-cut capacitor of output is not put in TCXO. Please add DC-cut capacitor (1000 pF) in output line.</p> <p>Max. +/-0.5 ppm / -10 to +70°C</p> <p>Max. +/-1.5 ppm / -30 to -10°C, +70 to +85°C (Based on frequency at +25 +/-2 °C)</p> <p>Max. +/-0.05 ppm/°C / -10 to +70°C</p> <p>Max. +/-0.1 ppm/°C / -30 to -10°C, +70 to +85°C (Minimum of one measurement every 2 °C)</p> <p>Max. +/-0.1 ppm / +2.5 V +/-0.1 V</p> <p>Max. +/-0.2 ppm / (10 kΩ // 10 pF) +/-10%</p> <p>Max. +/-2.0 ppm (at +25 +/-2 °C, after 2times reflow soldering, based on nominal frequency)</p> <p>Max. +/-1.0 ppm / year</p> <p>Max. 1.0 ppb (Tau=0.1s)</p> <p>Max. 2.0 ms (to 90% of output amplitude)</p> <p>Max. 2.0 ms (Within +/-0.5ppm of final frequency)</p> <p>Max. -5.0 dBc</p> <p>40 to 60 %</p> <p>Max. -86 dBc/Hz (at 10 Hz offset)</p> <p>Max. -112 dBc/Hz (at 100 Hz offset)</p> <p>Max. -134 dBc/Hz (at 1k Hz offset)</p> <p>Max. -148 dBc/Hz (at 10k Hz offset)</p> <p>Max. -150 dBc/Hz (at 100k Hz offset)</p>
--	---

9 Dimension of external (Unit: mm)



X-ON Electronics

Largest Supplier of Electrical and Electronic Components

Click to view similar products for [ndk manufacturer](#):

Other Similar products are found below :

[NX3215SA-32.768K-EXS00A-MU00003](#) [NX5032SD 13.56MHZ AT-TPMS](#) [NX3225GB 20.000MHZ STD-CRA-2](#) [NZ2520SHA-50M-END5359A](#) [NX2016SA-48M-EXS00A-CS08718](#) [NX3225GA-13.56M-STD-CRG-2](#) [NX2520SA-24.000000MHZ-B8](#) [NX5032GA-25.000M-LN-CD-1](#) [NX8045GB-6MHZ-STD-CSF-3](#) [NX2016SA-24M-EXS00A-CS08891](#) [NT3225SA-19.2M-DJA3002B](#) [NX8045GB-5MHZ-STD-CSF-3](#) [NX3215SA-32.768K-STD-MUA-14](#) [NX8045GB-12M-STD-CSF-4](#) [NX3225SA-40.000](#) [NX3225GA-26.000M-STD-CRG-2](#) [NX5032GA-20.000M-LN-CD-1](#) [NX3225SA-27](#) [NT3225SA-19.20A](#) [NX3225SA-114.285MHZ-EXS00A-CS06528](#) [NX3225SA-20.000000MHZ-B2](#) [NX3225SA-26.000000MHZ-B1](#) [NX2016SA-25MHZ-STD-CZS-2](#) [NX2520SG-19.2M-EXS00A-CS04340](#) [NX3225SA-16.000000MHZ-B3](#) [NX3225GA-27M-STD-CRG-2](#) [NX3225SA-25.000MHZ-STD-CSR-1](#) [NX3225GA-12.000M-STD-CRA-1](#) [NX2520SA-25.000M-STD-CSW-5](#) [NX3225GA-24MHZ-STD-CRA-1](#) [NX3225SA-40.000MHZ-STD-CSR-1](#) [NX3225SA-27.000MHZ-STD-CSR-1](#) [NX3225SA-20.000MHZ-STD-CSR-1](#) [NX2016SA-26M-STD-CZS-1](#) [NX3225GB 16.000MHZ STD-CRA-2](#) [NX3225SA-26.000M-STD-CSR-3](#) [NX3225GA-32M-EXS00A-CG02611](#) [NX2520SA-16MHZ-STD-CSW-4](#) [NX3225GA-12MHZ-STD-CRG-1](#) [NX3225GA-27.000M-STD-CRG-1](#) [NX3225SA-20.000M-STD-CSR-3](#) [NX3225GA-20MHZ-STD-CRA-1](#) [NX1612SA-50M-EXS00A-CS08403](#) [NZ2520SHA-80M-END5302A](#) [NX2520SA-26MHZ-STD-CSX-1](#) [NX2016SA-26M-STD-CZS-2](#) [NX3225SA-30.000M-STD-CSR-3](#) [NX3215SA-32.768K-STD-MUA-9](#) [NX3225GA-14.7456M-STD-CRG-2](#) [NX3225SA-26.000MHZ-STD-CSR-1](#)