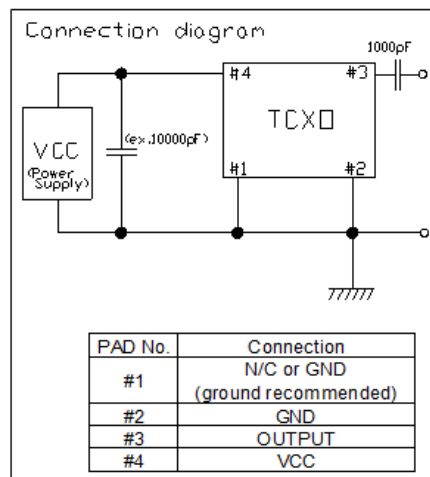
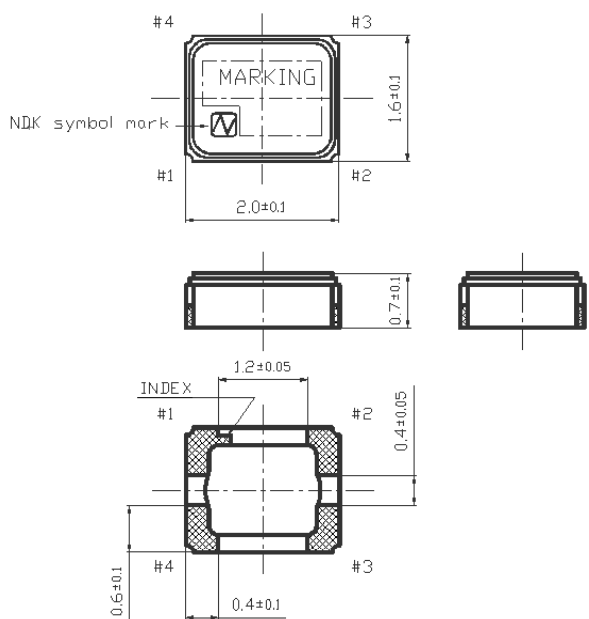


- 1 **NDK Part Number** NT2016SA-26.000000MHz-NBG2
- 2 **Chipset Maker** [Please contact us](#)
- 3 **Application** GPS on mobile phone
- 4 **Chipset Name** [Please contact us](#)
- 5 **NDK Specification Number** NSA0345C
- 6 **Type** NT2016SA
- 7 **Rating**
  - 7.1 Nominal Frequency ( $f_{nom}$ ) 26 MHz ( 2 digits marking)
  - 7.2 Supply Voltage +1.8 V +/- 5 % DC (-Earth)
  - 7.3 Current Consumption Max. 1.5 mA
  - 7.4 Output Voltage Min. 0.8 V<sub>p-p</sub> Clipped sine wave (DC-Coupling)
  - 7.5 Operable Temperature Range -30 to +85 °C
  - 7.6 Storage Temperature Range -40 to +85 °C
  - 7.7 Load impedance 10 kΩ // 10 pF
  - 7.8 DC-cut Capacitor DC-cut capacitor of output is not put in TCXO.  
Please add DC-cut capacitor (1000 pF) in output line.
- 8 **Electrical specification**
  - 8.1 **Frequency Stability**
    - 8.1.1 Frequency / Temperature characteristics Max. +/-0.5 ppm / -30 to +85 °C (Based on frequency at +25 +/-2 °C)
    - 8.1.2 Frequency temperature slope Max. +/-0.1 ppm/°C / -30 to +85°C  
(Minimum of one measurement every 2 °C)
    - 8.1.3 Frequency / Voltage coefficient Max. +/-0.1 ppm / +1.8 V +/- 5 %
    - 8.1.4 Frequency / Load coefficient Max. +/-0.2 ppm / (10 kΩ // 10 pF) +/-10%
    - 8.1.5 Frequency tolerance Max. +/-2.0 ppm  
(at +25 +/-2 °C, after 2times reflow soldering, based on nominal frequency)
    - 8.1.6 Long-term Frequency Stability Max. +/-1.0 ppm / year
  - 8.2 Short-term frequency stability Max. 1.0 ppb (Tau=0.1s)
  - 8.3 Start-up time Max. 2.0 ms (to 90% of output amplitude)
  - 8.4 Stabilization Time Max. 2.0 ms (Within +/-0.5ppm of final frequency)
  - 8.5 Harmonic distortion Max. -5.0 dBc
  - 8.6 Symmetry 40 to 60 %
  - 8.7 Phase Noise Max. -83 dBc/Hz (at 10 Hz offset)  
Max. -108 dBc/Hz (at 100 Hz offset)  
Max. -132 dBc/Hz (at 1k Hz offset)  
Max. -146 dBc/Hz (at 10k Hz offset)  
Max. -150 dBc/Hz (at 100k Hz offset)

9 **Dimension of external** (Unit: mm)



## X-ON Electronics

Largest Supplier of Electrical and Electronic Components

*Click to view similar products for [TCXO Oscillators](#) category:*

*Click to view products by [NDK](#) manufacturer:*

Other Similar products are found below :

[SiT5000AI-3D-33E0-10.000000X](#) [THD3031035LK280005-10.0M](#) [AST3TDATAACJ5-10.0000MHz](#) [AST3TDATAACJ5-20.0000MHz](#)  
[AST3TDA53TACJ2-19.2000MHz](#) [AST3TDA53TACJ2-38.8800MHz](#) [AST3TDATAACJ5-19.2000MHz](#) [AST3TDATAACJ5-38.8800MHz](#)  
[SiT5155AI-FK-33E0-10.000000F](#) [CVT32-10.000](#) [SIT5356AI-FQ-33E0-25.000000X](#) [SIT5357AI-FQ-33N0-100.000000X](#) [DS32KHZSN+T&R](#)  
[XTCLH25M000THJA0P0](#) [LFTCXO075793Cutt](#) [LFTCXO077229Cutt](#) [LFPTXO000002Bulk](#) [LFTCXO077228Cutt](#) [LFTCXO077230Cutt](#)  
[LFTCXO075792Cutt](#) [AST3TQ53-T-10.000MHz-5-C](#) [ATX-11-F-26.000MHz-F05-T](#) [ATX-11-F-27.000MHz-F05-T](#) [ATX-12-F-32.000MHz-](#)  
[F05-T](#) [ATX-13-F-26.000MHz-F05-T](#) [I538-2O7- 25.000 MHz](#) [I537-2O7- 39.000 MHz](#) [I537-2O7- 25.000 MHz](#) [ECS-TXO-2016-33-320-TR](#)  
[ECS-TXO-2016-33-120-TR](#) [ECS-TXO-2016-33-250-TR](#) [ECS-TXO-2016-33-200-TR](#) [ECS-TXO-20CSMV-AC-260-AY-TR](#) [TG2016SMN](#)  
[26.0000M-MCGNNM0](#) [TG2016SMN 25.0000M-MCGNNM0](#) [TG2016SMN 25.0000M-MCGNNM3](#) [TG2520SMN 16.0000M-MCGNNM0](#)  
[TG2520SMN 25.0000M-MCGNNM0](#) [TG2520SMN 40.0000M-ECGNNM0](#) [TG2520SMN 24.0000M-ECGNNM0](#) [TG2520SMN 20.0000M-](#)  
[MCGNNM0](#) [TG2520SMN 30.0000M-ECGNNM0](#) [TG2520SMN 30.000M-MCGNNM0](#) [TG2520SMN 27.0000M-MCGNNM3](#) [TG2520SMN](#)  
[32.0000M-MCGNNM3](#) [TG2520SMN 32.0000M-ECGNNM3](#) [LFPTXO000001Bulk](#) [LFTCXO063711BULK](#) [LFTCXO063713BULK](#)  
[LFTCXO063715BULK](#)