

1	NDK Part Number	NT2520SA-26M-DJA3001A
2	NDK Specification Number	DJA3001A
3	Type	NT2520SA
4	Rating	
4.1	Nominal Frequency (f_{nom})	26 MHz (2 digits marking)
4.2	Supply Voltage	+2.4 V +/-0.1 V DC (-Earth)
4.3	Current Consumption	Max. 1.1 mA (Typ. 0.9 mA)
4.4	Output Voltage	Min. 0.8 V _{p-p} Clipped sine wave (DC-Coupling)
4.5	Operable Temperature Range	-30 to +75 °C
4.6	Storage Temperature Range	-40 to +85 °C
4.7	Load impedance	10 kΩ // 10 pF
4.8	DC-cut Capacitor	DC-cut capacitor of output is not put in TCXO. Please add DC-cut capacitor (1000 pF) in output line.

5 Electrical specification

5.1 Frequency Stability

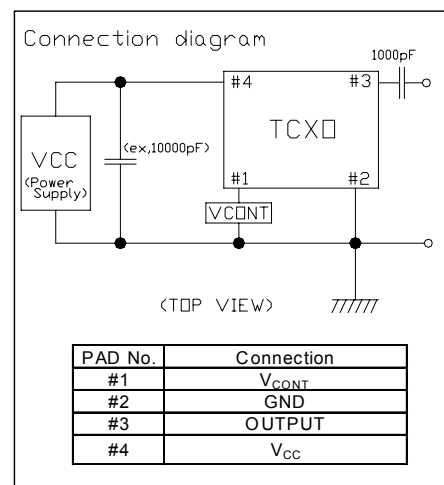
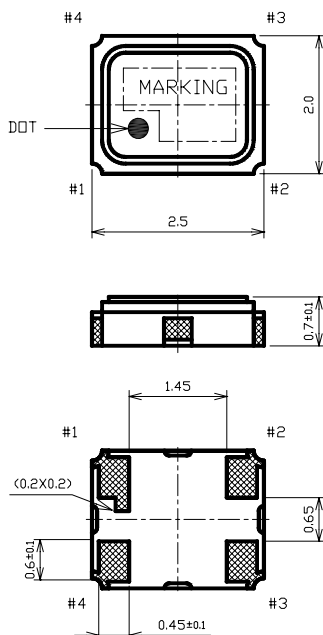
5.1.1	Frequency / Temperature Characteristics	Max. +/-2.5 ppm / -30 to +75 °C (Based on frequency at +25 +/-2 °C)
5.1.2	Frequency / Voltage Coefficient	Max. +/-0.2 ppm / +2.4 V +/-0.1 V
5.1.3	Frequency / Load Coefficient	Max. +/-0.2 ppm / (10 kΩ // 10 pF) +/-10%
5.1.4	Frequency Tolerance at Control Voltage (V _{cont} = +1.2 V DC)	Max. +/-2.5 ppm (at +25 +/-2 °C, after two reflows, based on nominal frequency)
5.1.5	Long-term Frequency Stability	Max. +/-2.0 ppm / 5 years

5.2 External Adjustment

5.2.1	Control Voltage (V _{cont})	+1.2 V +/-1.0 V DC
5.2.2	Frequency control range based on frequency at V _{cont} = +1.2 V DC	+/-9.0 to +/-15.0 ppm
5.2.3	Frequency Change Polarity	Positive
5.3	Stabilization Time	Max. 4.0 ms (+/-0.1 ppm of final frequency final frequency is the frequency after 10 s from the point when supply voltage is reached at+2.4 V. Measurement is done while the control voltage is kept at its typical value at +25 +/-2 °C)
5.4	Symmetry	40 to 60 % (Based on GND. The output signal after DC cut capacitor passage)
5.5	Harmonic Distortion	Max. -5 dBc
5.6	Phase Noise	Max. -130 dBc/Hz (@1 kHz offset)

6 Dimension

(Unit: mm)



X-ON Electronics

Largest Supplier of Electrical and Electronic Components

Click to view similar products for [TCXO Oscillators](#) category:

Click to view products by [NDK](#) manufacturer:

Other Similar products are found below :

[SiT5000AI-3D-33E0-10.000000X](#) [THD3031035LK280005-10.0M](#) [AST3TDATAACJ5-10.0000MHz](#) [AST3TDATAACJ5-20.0000MHz](#)
[AST3TDA53TACJ2-19.2000MHz](#) [AST3TDA53TACJ2-38.8800MHz](#) [AST3TDATAACJ5-19.2000MHz](#) [AST3TDATAACJ5-38.8800MHz](#)
[SiT5155AI-FK-33E0-10.000000F](#) [CVT32-10.000](#) [SIT5356AI-FQ-33E0-25.000000X](#) [SIT5357AI-FQ-33N0-100.000000X](#) [DS32KHZSN+T&R](#)
[XTCLH25M000THJA0P0](#) [LFTCXO075793Cutt](#) [LFTCXO077229Cutt](#) [LFPTXO000002Bulk](#) [LFTCXO077228Cutt](#) [LFTCXO077230Cutt](#)
[LFTCXO075792Cutt](#) [AST3TQ53-T-10.000MHz-5-C](#) [ATX-11-F-26.000MHz-F05-T](#) [ATX-11-F-27.000MHz-F05-T](#) [ATX-12-F-32.000MHz-](#)
[F05-T](#) [ATX-13-F-26.000MHz-F05-T](#) [I538-2O7- 25.000 MHz](#) [I537-2O7- 39.000 MHz](#) [I537-2O7- 25.000 MHz](#) [ECS-TXO-2016-33-320-TR](#)
[ECS-TXO-2016-33-120-TR](#) [ECS-TXO-2016-33-250-TR](#) [ECS-TXO-2016-33-200-TR](#) [ECS-TXO-20CSMV-AC-260-AY-TR](#) [TG2016SMN](#)
[26.0000M-MCGNNM0](#) [TG2016SMN 25.0000M-MCGNNM0](#) [TG2016SMN 25.0000M-MCGNNM3](#) [TG2520SMN 16.0000M-MCGNNM0](#)
[TG2520SMN 25.0000M-MCGNNM0](#) [TG2520SMN 40.0000M-ECGNNM0](#) [TG2520SMN 24.0000M-ECGNNM0](#) [TG2520SMN 20.0000M-](#)
[MCGNNM0](#) [TG2520SMN 30.0000M-ECGNNM0](#) [TG2520SMN 30.000M-MCGNNM0](#) [TG2520SMN 27.0000M-MCGNNM3](#) [TG2520SMN](#)
[32.0000M-MCGNNM3](#) [TG2520SMN 32.0000M-ECGNNM3](#) [LFPTXO000001Bulk](#) [LFTCXO063711BULK](#) [LFTCXO063713BULK](#)
[LFTCXO063715BULK](#)