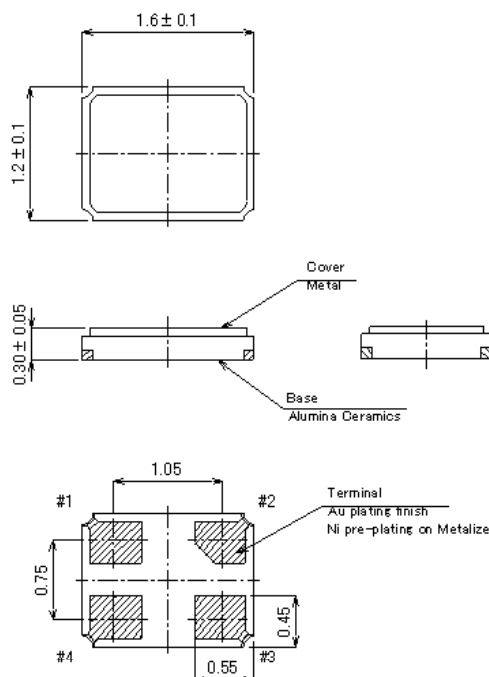
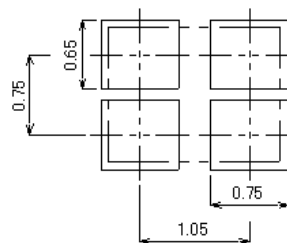


1	NDK Part Number	NX1612AA-26MHz-EXS00A-CS03402
2	NDK Specification Number	EXS00A-CS03402
3	Type	NX1612AA
4	Chipset Maker	TEXAS INSTRUMENTS
5	Application	Bluetooth + FM
6	Chipset Name	BLink™7 Solutions
7	Chipset Number	BL6450
8	End User	Mobile Phone Manufacturer
9	Electrical Characteristics	
9.1	Nominal Frequency (f_{nom})	26 MHz
9.2	Overtone order	Fundamental
9.3	Frequency stability (Overall)	$\pm 20 \times 10^{-6}$ max. (at -20 to +70 °C)
9.4	Equivalent Series Resistance (R_r)	150 Ω max.
9.5	Maximum Drive Level	200 μ W max.
9.6	Aging (at +25 °C)	$\pm 3 \times 10^{-6}$ max./1year
10	Measurement Circuit	
10.1	Frequency Measurement	
10.1.1	Measuring Instrument	π -network (IEC)
10.1.2	Load Capacitance (C_L)	8 pF
10.1.3	Level of Drive	10 μ W
10.2	Equivalent Resistance Measurement	
10.2.1	Measuring Instrument	π -network (IEC)
10.2.2	Load Capacitance (C_L)	Series
10.2.3	Level of Drive	10 μ W
11	Operable Temperature Range	-20 ~ +70 °C
12	Storage Temperature Range	-40 ~ +85 °C
13	Dimension	

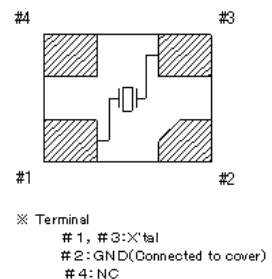
(Unit: mm)



Land Pattern (Typical)



Terminal Land Connection (Top View)



NOTE

The appearance color has a different case by purchasing it more than 2 suppliers, but reliability is guaranteed.

X-ON Electronics

Largest Supplier of Electrical and Electronic Components

Click to view similar products for [Crystals](#) category:

Click to view products by [NDK](#) manufacturer:

Other Similar products are found below :

[MC405 32.0000K-R3:PURE SN](#) [7A-40.000MAAE-T](#) [MP1-8.0 99-BU](#) [9B-15.360MBBK-B](#) [PTX-A2JM-10.000M](#) [9C-7.680MBBK-T](#) [H10S-12.000-18-EXT-TR](#) [AB-11.0592MHZ](#) [R38-32.768-12.5-5PPM-NPB](#) [BTD1062E05A-513](#) [21U15A-21.4MHZ](#) [RTX-781DF1-S-20.950](#) [LFX TAL066198Cutt](#) [9C-14.31818MBBK-T](#) [A-11.000MHZ-27](#) [SPT2A-.032768B](#) [SPT2A.032768G](#) [SSPT7F-9PF20-R](#) [FX325BS-38.88EEM1201](#) [MP-1-25.000MHZ-3L](#) [MP-1-6.000MHZ](#) [LFX TAL065253Cutt](#) [LFX TAL066431Cutt](#) [XT9S20ANA14M7456](#) [XT9SNLANA16M](#) [646G-24-2](#) [7A-24.576MBBK-T](#) [7B-30.000MBBK-T](#) [7A-14.31818MBBK-T](#) [6526-202-1501](#) [BTJ120E02C](#) [SG636PCE-20.000MC](#) [ABM3B-10.000MHZ-K-T](#) [3404](#) [CM315D32768EZFT](#) [C1E-24.000-7-2020-R](#) [C1E-19.200-12-1530-X-R](#) [C1E-16.000-12-1530-X-R](#) [ABM11-16.000MHZ-9-B1U-T](#) [FL5000014](#) [EUCA18-3.1872M](#) [425F35E027M0000](#) [17196](#) [MS3V-T1R-32.768kHz-7pF-20PPM-TA-QC-Au](#) [VXM7-1C1-16M000](#) [MS1V-T1K-32.768kHz-10pF-20PPM-TA-QC-Au](#) [MS3V-T1R-32.768kHz-9pF-20PPM-TA-QC-Au](#) [ECS-80-18-30-JGN-TR](#) [17000](#)