

NX2012SA

For OA / AV / Mobile Communication / Automotives

■ Features

- Compact, thin, and light weight tuning fork crystal unit.
- Compact and thin. (2.0×1.2×0.55mm)
- Excellent electric performance optimum for mobile communications, OA (office automation) and AV (audiovisual) applications are exhibited.
- A surface-mount crystal oscillator. (Reflow soldering is possible.)
- RoHS compliant. These can meet the requirements of re-flow profiling using leadfree solder.
- Conforms to AEC-Q200. (For Automotives)

Pb Free

RoHS Compliant
Directive 2011/65/EU
Directive (EU) 2015/863



■ Specifications

Item	Model	NX2012SA					
		Standard			Optional		
Standard		For OA / AV / Mobile Communication			For Automotive		
Main Application		For OA / AV / Mobile Communication			For Automotive		
Nominal Frequency (kHz)		32.768					
Operating Temperature Range (°C)		-40 to +85			-40 to +125		
Storage Temperature Range (°C)		-40 to +85			-40 to +125		
Level of Drive (μW)		0.1 (Max. 0.5)					
Frequency Tolerance (25 ±3 °C)		±20 × 10 ⁻⁶					
Turning Point (°C)		+25 ± 5					
Temperature Coefficient (1/°C ²)		Max. -0.04 × 10 ⁻⁶					
Load Capacitance (pF)		6.0	9.0	12.5	6.0	9.0	12.5
Equivalent Series Resistance (kΩ)		Max. 80			Max. 120		
Shunt Capacitance (pF)		Typ. 1.3/ Max. 1.6					
Insulation Resistance (MΩ)		Min. 500					
Specifications Number		STD-MUB-3	STD-MUB-2	STD-MUB-1	STD-MUT-3	STD-MUT-2	STD-MUT-1
		Refer to *2					

Please specify the model name, frequency, and specification number when you order products.

For further questions regarding specifications, please feel free to contact us.

*1 If you have any other requests, NDK will study it.

*2 Ordering information: Overtone Order Fundamental, the Operating Temperature Range, Frequency Tolerance, and Load Capacitance.

Ex. Model, Frequency (32.768000kHz 6digits),

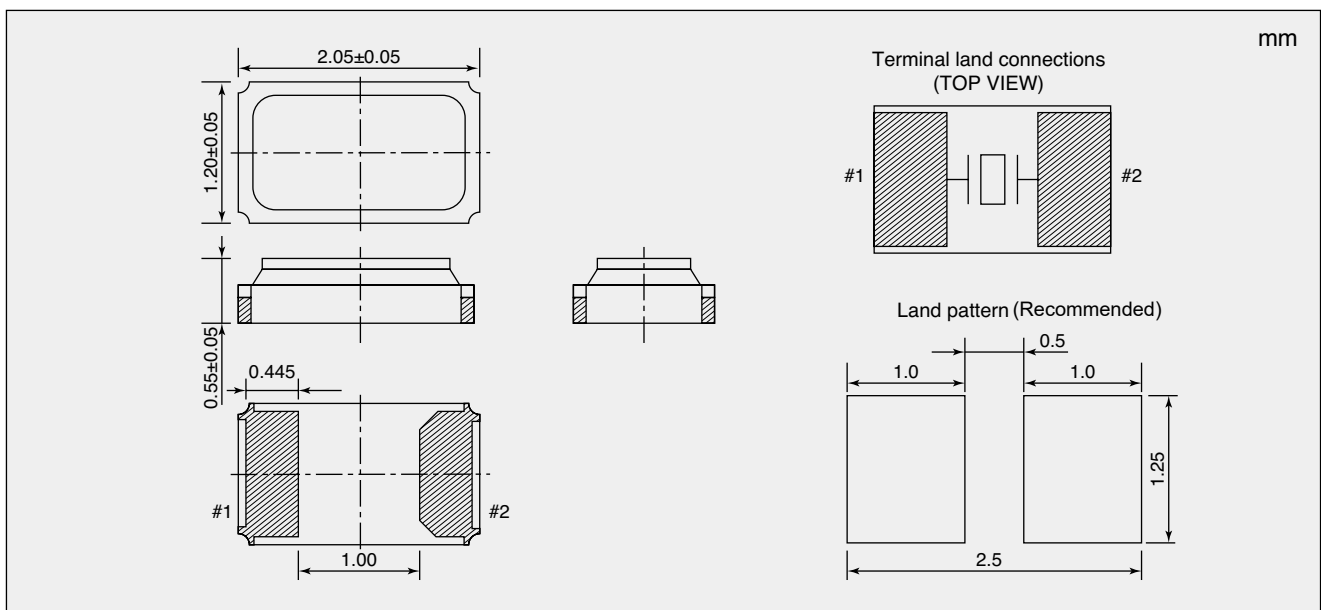
S1: Fundamental - Operating Range(-40 to +85°C) - Frequency Tolerance(±20×10⁻⁶) - Load Capacitance (9pF)

NX2012SA

32.768000kHz

S1-4085-20-9

■ Dimensions



X-ON Electronics

Largest Supplier of Electrical and Electronic Components

Click to view similar products for [Crystals](#) category:

Click to view products by [NDK](#) manufacturer:

Other Similar products are found below :

[CX3225GB25000M0PPSZ1](#) [718-13.2-1](#) [MC405 32.0000K-R3:PURE SN](#) [7A-40.000MAAE-T](#) [FL2000085](#) [99-BU](#) [9B-15.360MBBK-B](#) [9C-7.680MBBK-T](#) [H10S-12.000-18-EXT-TR](#) [ABC2-6.000MHZ-D4Z-T](#) [ABLS-20.000MHZ-D2-T](#) [ABS071-32.768KHZ-6-T](#) [R38-32.768-12.5-5PPM-NPB](#) [BTD1062E05A-513](#) [21U15A-21.4MHZ](#) [RTX-781DF1-S-20.950](#) [LFXTAL066198Cutt](#) [9C-14.31818MBBK-T](#) [A-11.000MHZ-27](#) [ABL-27.000MHZ-B4Y-T](#) [ABM11-132-24.000MHZ-T3](#) [ABM3B1-25.000MHZ-D2Y-T](#) [SPT2A-.032768B](#) [SPT2A.032768G](#) [SSPT7F-9PF20-R](#) [FX325BS-38.88EEM1201](#) [LFXTAL065253Cutt](#) [LFXTAL066431Cutt](#) [XT9S20ANA14M7456](#) [XT9SNLANA16M](#) [7A-24.576MBBK-T](#) [7B-30.000MBBK-T](#) [7A-14.31818MBBK-T](#) [6504-202-1501](#) [6526-202-1501](#) [ABLS-12.000MHZ-B2Y-T](#) [7A-10.000MBBK-T](#) [SG636PCE-20.000MC](#) [3404](#) [E1SAA18-25.000M TR](#) [CM315D32768EZFT](#) [C1E-24.000-7-2020-R](#) [C1E-19.200-12-1530-X-R](#) [C1E-16.000-12-1530-X-R](#) [ABM11-16.000MHZ-9-B1U-T](#) [FL5000014](#) [EUCA18-3.1872M](#) [FX0800015](#) [425F35E027M0000](#) [FP0800018](#)