

NX2012SA

For OA / AV / Mobile Communications

■ Features

Compact, thin, and light weight tuning fork crystal unit.

- Compact and thin. (2.0×1.2×0.55mm)
- Use a metal lid: Excellent shock resistance during chip mounting process comparing to a glass lid.
- Excellent electric performance optimum for mobile communications, OA (office automation) and AV (audiovisual) applications are exhibited.
- A surface-mount crystal oscillator. (Reflow soldering is possible.)
- RoHS compliant. These can meet the requirements of re-flow profiling using leadfree solder.



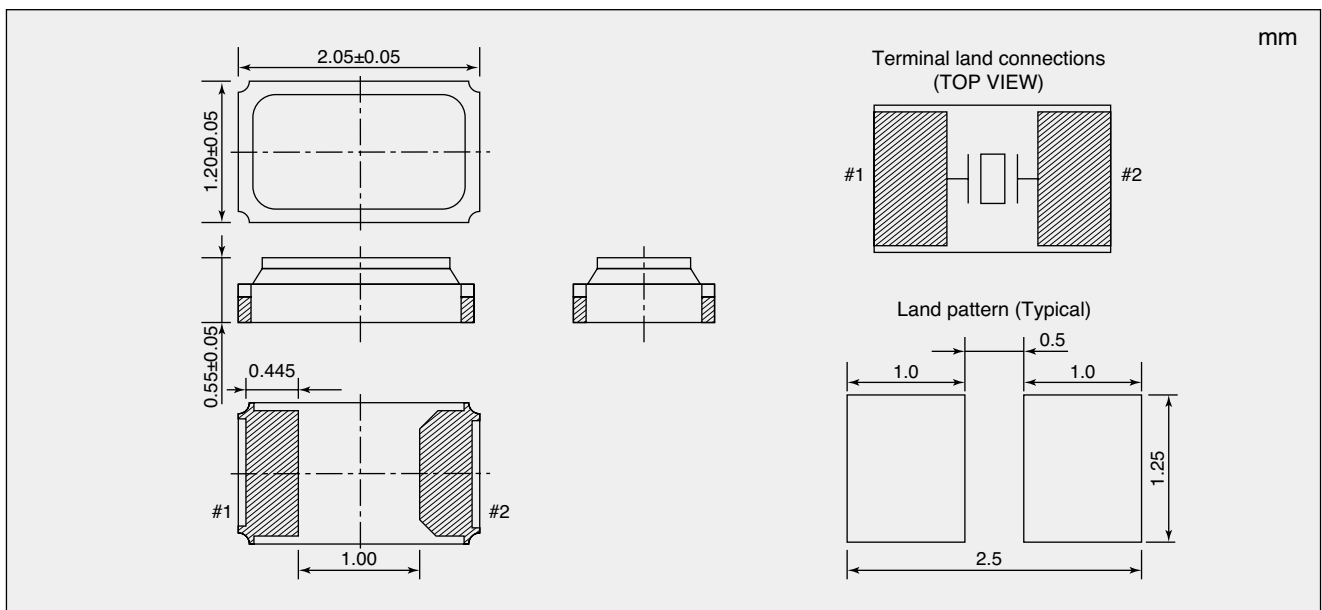
Pb Free

RoHS Compliant
Directive 2011/65/EU

■ Specifications

Item	Model	NX2012SA
Nominal Frequency		32.768kHz
Operating Temperature Range		-40 to +85°C
Storage Temperature Range		-40 to +85°C
Level of Drive		0.1μW (0.5μW Max.)
Frequency Tolerance (25 ±3 °C)		±20 × 10 ⁻⁶
Turning Point		+25°C ± 5°C
Temperature Coefficient		-0.04 × 10 ⁻⁶ /°C ² Max.
Load Capacitance		12.5pF
Equivalent Series Resistance		80kΩ Max.
Shunt Capacitance		1.3pF typ./ 1.5pF Max.
Insulation Resistance		500MΩ Min.
Specifications Number		STD-MUB-1

■ Dimensions



Please specify the model name, frequency, and specification number when you order products.
For further questions regarding specifications, please feel free to contact us.

X-ON Electronics

Largest Supplier of Electrical and Electronic Components

Click to view similar products for [Crystals](#) category:

Click to view products by [NDK](#) manufacturer:

Other Similar products are found below :

[MC405 32.0000K-R3:PURE SN](#) [7A-40.000MAAE-T](#) [MP1-8.0 99-BU](#) [9B-15.360MBBK-B](#) [PTX-A2JM-10.000M](#) [9C-7.680MBBK-T](#) [H10S-12.000-18-EXT-TR](#) [R38-32.768-12.5-5PPM-NPB](#) [BTD1062E05A-513](#) [21U15A-21.4MHZ](#) [RTX-781DF1-S-20.950](#) [LFXTAL066198Cutt](#) [9C-14.31818MBBK-T](#) [A-11.000MHZ-27](#) [SPT2A-.032768B](#) [SPT2A.032768G](#) [SSPT7F-9PF20-R](#) [FX325BS-38.88EEM1201](#) [MP-1-25.000MHZ-3L](#) [MP-1-6.000MHZ](#) [LFXTAL065253Cutt](#) [LFXTAL066431Cutt](#) [XT9S20ANA14M7456](#) [XT9SNLANA16M](#) [646G-24-2](#) [7A-24.576MBBK-T](#) [7B-30.000MBBK-T](#) [7A-14.31818MBBK-T](#) [6526-202-1501](#) [BTJ120E02C](#) [SG636PCE-20.000MC](#) [3404](#) [CM315D32768EZFT](#) [C1E-24.000-7-2020-R](#) [C1E-19.200-12-1530-X-R](#) [C1E-16.000-12-1530-X-R](#) [ABM11-16.000MHZ-9-B1U-T](#) [FL5000014](#) [EUCA18-3.1872M](#) [425F35E027M0000](#) [17196](#) [MS3V-T1R-32.768kHz-7pF-20PPM-TA-QC-Au](#) [VXM7-1C1-16M000](#) [MS1V-T1K-32.768kHz-10pF-20PPM-TA-QC-Au](#) [MS3V-T1R-32.768kHz-9pF-20PPM-TA-QC-Au](#) [ECS-80-18-30-JGN-TR](#) [17000](#) [17301](#) [16875](#)