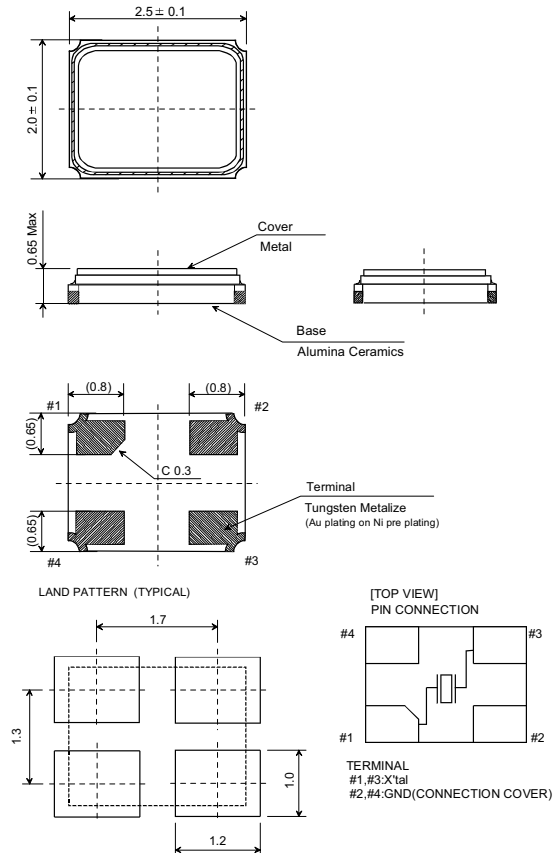


## Specification of Crystal Unit

1	NDK PART NUMBER	NX2520SA-16.00000MHz-W1
2	CHIPSET MAKER	FREESCALE
3	APPLICATION	Wireless LAN, ZIGBEE
4	CHIPSET NAME	MC13192
5	Type	NX2520SA
6	Electrical characteristics	
6.1	Nominal frequency(F0)	16.000MHz
6.2	Overtone order	Fundamental
6.3	Adjustment tolerance	$\pm 20 \times 10^{-6}$ max. (+25 °C)
6.4	Tolerance over the temperature range	$\pm 20 \times 10^{-6}$ max. (-40~+85 °C) The reference temperature shall be +25 °C.
6.5	Equivalent resistance (R1)	120Ω max.
6.6	Shunt Capacitance (C0)	7.0 pF max.
6.7	Maximum Drive Level	200μW max.

7	Measurement circuit	
7.2	Frequency measurement	
7.1.1	Measuring instrument	$\pi$ circuit
7.1.2	Load capacitance(CL)	8pF
7.1.3	Level of drive	50μW
7.2	Equivalent resistance measurement	
7.2.1	Measuring instrument	$\pi$ circuit
7.2.2	Load capacitance(CL)	Series
7.2.3	Level of drive	50μW

## 8 Dimension



## X-ON Electronics

Largest Supplier of Electrical and Electronic Components

*Click to view similar products for [Crystals](#) category:*

*Click to view products by [NDK](#) manufacturer:*

Other Similar products are found below :

[MC405 32.0000K-R3:PURE SN](#) [7A-40.000MAAE-T](#) [7B-27.000MBBK-T](#) [MP1-8.0 99-BU](#) [9B-15.360MBBK-B](#) [PTX-A2JM-10.000M](#) [9C-7.680MBBK-T](#) [H10S-12.000-18-EXT-TR](#) [R38-32.768-12.5-5PPM-NPB](#) [BTD1062E05A-513](#) [21U15A-21.4MHZ](#) [RTX-781DF1-S-20.950](#) [LFX TAL066198Cutt](#) [9C-14.31818MBBK-T](#) [A-11.000MHZ-27](#) [SPT2A-.032768B](#) [SPT2A.032768G](#) [SSPT7F-9PF20-R](#) [FX325BS-38.88EEM1201](#) [MP-1-25.000MHZ-3L](#) [MP-1-6.000MHZ](#) [LFX TAL065253Cutt](#) [LFX TAL066431Cutt](#) [XT9S20ANA14M7456](#) [XT9SNLANA16M](#) [646G-24-2](#) [7A-24.576MBBK-T](#) [7B-30.000MBBK-T](#) [7A-14.31818MBBK-T](#) [6526-202-1501](#) [BTJ120E02C](#) [SG636PCE-20.000MC](#) [3404](#) [CM315D32768EZFT](#) [C1E-24.000-7-2020-R](#) [C1E-19.200-12-1530-X-R](#) [C1E-16.000-12-1530-X-R](#) [ABM11-16.000MHZ-9-B1U-T](#) [FL5000014](#) [EUCA18-3.1872M](#) [425F35E027M0000](#) [17196](#) [ABM3-13.52313MHZ-10-B4Y-T](#) [MS3V-T1R-32.768kHz-7pF-20PPM-TA-QC-Au](#) [VXM7-1C1-16M000](#) [MS1V-T1K-32.768kHz-10pF-20PPM-TA-QC-Au](#) [MS3V-T1R-32.768kHz-9pF-20PPM-TA-QC-Au](#) [ECS-80-18-30-JGN-TR](#) [17000](#)