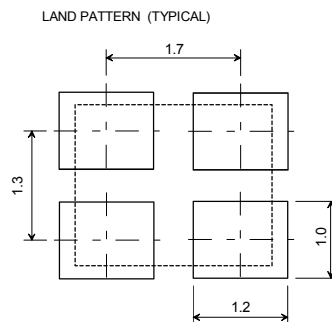
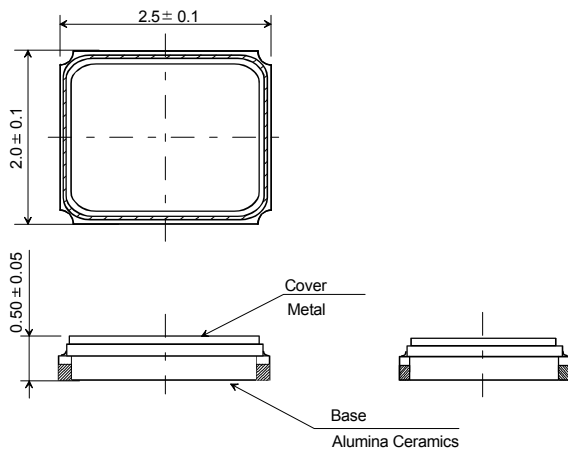
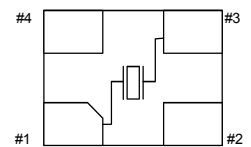


<b>1</b>	<b>NDK Part Number</b>	NX2520SA-19.200000MHz-NBG1
<b>2</b>	<b>Chipset Maker</b>	<a href="#">Please contact us</a>
<b>3</b>	<b>Application</b>	Multimedia processor on mobile phone
<b>4</b>	<b>Chipset Name</b>	<a href="#">Please contact us</a>
<b>5</b>	<b>NDK Specification Number</b>	EXS00A-CS05400
<b>6</b>	<b>Type</b>	NX2520SA
<b>7</b>	<b>Electrical Characteristics</b>	
7.1	Nominal Frequency ( $f_{nom}$ )	19.200 MHz
7.2	Overtone order	Fundamental
7.3	Adjustment tolerance	$\pm 20 \times 10^{-6}$ max.
7.4	Tolerance over the temperature range	$\pm 30 \times 10^{-6}$ max. ( at -30 to +85 °C )
7.5	Equivalent Series Resistance ( $R_r$ )	60 $\Omega$ max.
7.6	Maximum Drive Level	200 $\mu$ W max.
7.7	Aging ( at +25 °C )	$\pm 5 \times 10^{-6}$ max./1year
<b>8</b>	<b>Measurement Circuit</b>	
8.1	Frequency Measurement	
8.1.1	Measuring Instrument	$\pi$ -network (IEC)
8.1.2	Load Capacitance ( $C_L$ )	13 pF
8.1.3	Level of Drive	10 $\mu$ W
8.2	Equivalent Resistance Measurement	
8.2.1	Measuring Instrument	$\pi$ -network (IEC)
8.2.2	Load Capacitance ( $C_L$ )	Series
8.2.3	Level of Drive	10 $\mu$ W
<b>9</b>	<b>Operating Temperature Range</b>	-30 ~ +85 °C
<b>10</b>	<b>Storage Temperature Range</b>	-40 ~ +85 °C
<b>11</b>	<b>Dimension</b>	

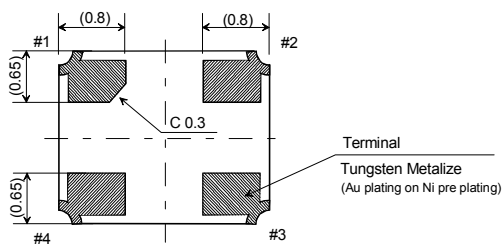
(Unit: mm)



[Top view]  
Terminal land connections



TERMINAL  
#1,#3: X'tal  
#2,#4: GND(CONNECTION COVER)



## X-ON Electronics

Largest Supplier of Electrical and Electronic Components

*Click to view similar products for [Crystals](#) category:*

*Click to view products by [NDK](#) manufacturer:*

Other Similar products are found below :

[CX3225GB25000M0PPSZ1](#) [718-13.2-1](#) [MC405 32.0000K-R3:PURE SN](#) [7A-40.000MAAE-T](#) [FL2000085](#) [99-BU](#) [9B-15.360MBBK-B](#) [9C-7.680MBBK-T](#) [H10S-12.000-18-EXT-TR](#) [ABC2-6.000MHZ-D4Z-T](#) [ABLS-20.000MHZ-D2-T](#) [ABS071-32.768KHZ-6-T](#) [R38-32.768-12.5-5PPM-NPB](#) [BTD1062E05A-513](#) [21U15A-21.4MHZ](#) [RTX-781DF1-S-20.950](#) [LFX TAL066198Cutt](#) [9C-14.31818MBBK-T](#) [A-11.000MHZ-27](#) [ABL-27.000MHZ-B4Y-T](#) [ABM11-132-24.000MHZ-T3](#) [ABM3B1-25.000MHZ-D2Y-T](#) [SPT2A-.032768B](#) [SPT2A.032768G](#) [SSPT7F-9PF20-R](#) [LFX TAL065253Cutt](#) [LFX TAL066431Cutt](#) [XT9S20ANA14M7456](#) [XT9SNLANA16M](#) [7A-24.576MBBK-T](#) [7B-30.000MBBK-T](#) [MMCC2R32.7680KHZ](#) [7A-14.31818MBBK-T](#) [6504-202-1501](#) [6526-202-1501](#) [ABLS-12.000MHZ-B2Y-T](#) [7A-10.000MBBK-T](#) [SG636PCE-20.000MC](#) [3404](#) [E1SAA18-25.000M TR](#) [CM315D32768EZFT](#) [C1E-24.000-7-2020-R](#) [C1E-19.200-12-1530-X-R](#) [C1E-16.000-12-1530-X-R](#) [ABM11-16.000MHZ-9-B1U-T](#) [FL5000014](#) [EUCA18-3.1872M](#) [FX0800015](#) [425F35E027M0000](#) [FP0800018](#)