

## Specification of Quartz Crystal Units

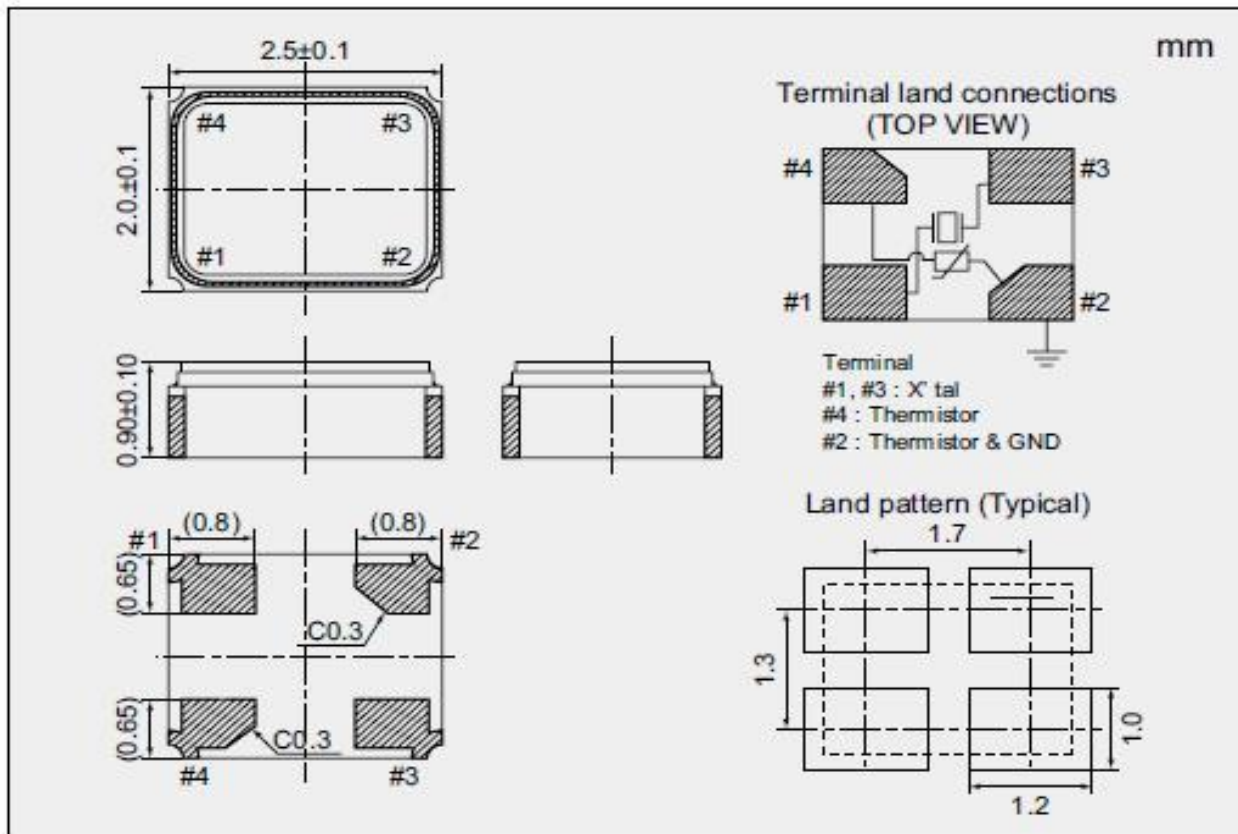
1 NDK Part Number	NX2520SG-19.2M-EXS00A-CS04340
2 Chipset Maker	Qualcomm
3 Application	Connectivity (NB-IOT, Modem for mobile)
4 Chipset Name	MDM9206, MDM9207, Snapdragon series
5 NDK Specification Number	EXS00A-CS04340
6 Type	NX2520SG
7 Electrical Characteristics	

	Parameters	SYM.	Electrical Spec.			Units	Notes
			min	typ	max		
1	Nominal Frequency (f <sub>nom</sub> )	f <sub>nom</sub>	19.200			MHz	
2	Overtone order	-	Fundamental			-	
3	Frequency tolerance	-	-10	-	+10	ppm	at +30°C
4	Frequency versus temperature characteristics *1.	-	-12	-	+12	ppm	at -30 to +85°C
5	Equivalent Series Resistance	R <sub>r</sub>	-	-	70	Ω	IECπ -Network Series
6	Load capacitance	CL	-	7	-	pF	IECπ -PI-Network
7	Level of drive	-	-	10	100	μW	
8	Shunt Capacitance	C <sub>0</sub>	-15%	0.85	+15%	pF	
9	Motional Capacitance	C <sub>1</sub>	-15%	2.2	+15%	fF	
10	Motional Inductance	L <sub>1</sub>	-15%	31.2	+15%	mH	
11	Insulation resistance	-	500	-	-	Ω	*2
12	Operating temperature range	-	-30	-	105	°C	
13	Storage temperature range	-	-40	-	105	°C	
14	Air-tightness	-	-	-	1.1x10 <sup>-9</sup>	Pa m <sup>3</sup> /s	Helium leak detector

\*1. The reference temperature shall be +30°C

\*2. When terminal to terminal and terminal to cover were applied at DC100V ±15V.

### Dimension



## X-ON Electronics

Largest Supplier of Electrical and Electronic Components

*Click to view similar products for [Crystals](#) category:*

*Click to view products by [NDK](#) manufacturer:*

Other Similar products are found below :

[MC405 32.0000K-R3:PURE SN](#) [7A-40.000MAAE-T](#) [MP1-8.0](#) [99-BU](#) [9B-15.360MBBK-B](#) [PTX-A2JM-10.000M](#) [9C-7.680MBBK-T](#) [H10S-12.000-18-EXT-TR](#) [AB-11.0592MHZ](#) [R38-32.768-12.5-5PPM-NPB](#) [BTD1062E05A-513](#) [C711980XFAS30XX](#) [21U15A-21.4MHZ](#) [RTX-781DF1-S-20.950](#) [LFXTAL066198Cutt](#) [9C-14.31818MBBK-T](#) [A-11.000MHZ-27](#) [SPT2A-.032768B](#) [SPT2A.032768G](#) [SSPT7F-9PF20-R](#) [FX325BS-38.88EEM1201](#) [MP-1-25.000MHZ-3L](#) [MP-1-6.000MHZ](#) [LFXTAL065253Cutt](#) [LFXTAL066431Cutt](#) [XT9S20ANA14M7456](#) [XT9SNLANA16M](#) [646G-24-2](#) [7A-24.576MBBK-T](#) [7B-30.000MBBK-T](#) [7A-14.31818MBBK-T](#) [6526-202-1501](#) [BTJ120E02C](#) [SG636PCE-20.000MC](#) [ABM3B-10.000MHZ-K-T](#) [3404](#) [CM315D32768EZFT](#) [C1E-24.000-7-2020-R](#) [C1E-19.200-12-1530-X-R](#) [C1E-16.000-12-1530-X-R](#) [ABM11-16.000MHZ-9-B1U-T](#) [FL5000014](#) [EUCA18-3.1872M](#) [425F35E027M0000](#) [17196](#) [MS3V-T1R-32.768kHz-7pF-20PPM-TA-QC-Au](#) [VXM7-1C1-16M000](#) [MS1V-T1K-32.768kHz-10pF-20PPM-TA-QC-Au](#) [MS3V-T1R-32.768kHz-9pF-20PPM-TA-QC-Au](#) [ECS-80-18-30-JGN-TR](#)