

## NX2520SG

For Mobile Communications

### ■ Features

- Crystal Unit with built-in Thermistor construction.
- Minimize circuit design space by combining crystal unit into one component.  
(Presently, Crystal unit and temperature sensor is mounted in one board separately.)
- Placing temperature sensor(Thermistor) close to Crystal blank in one airtight housing can detect more precise crystal blank temperature. Improvement on frequency temperature compensation compared to present Crystal unit.
- Single cavity housing which is ideal to module applications.
- Lead-free. Meets the requirements for re-flow profiling using lead-free solder.



Pb Free

RoHS Compliant  
Directive 2011/65/EU

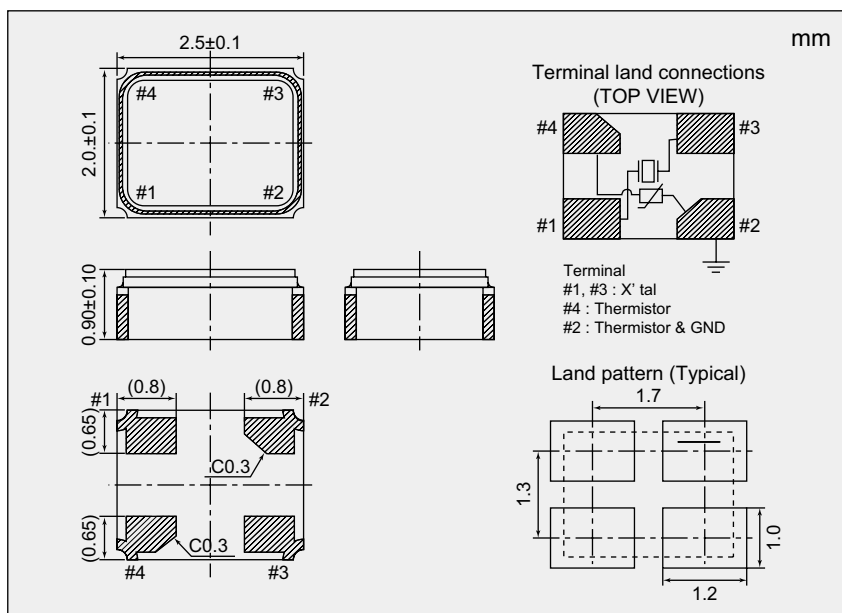
### ■ Specifications

Item	Model	NX2520SG
Nominal Frequency		19.2 to 54 MHz
Overtone Order		Fundamental
Frequency Tolerance (30 ± 3°C )		±10 × 10 <sup>-6</sup>
Frequency versus Temperature Characteristics (with reference to +30 °C)		±12 × 10 <sup>-6</sup>
Operating Temperature Range		-30 to +85 °C
Storage Temperature Range		-40 to +85 °C
Equivalent Series Resistance		Refer to *1
Level of Drive		10 μW (Max. 100 μW)
Load Capacitance		7 pF
Specifications Number		STD-CTX-1

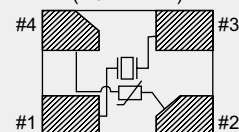
### NTC Thermistor for Temperature Sensor

Dimensions	0.6 × 0.3 × 0.3 mm
Resistance [R25]	100k Ω ± 1 %
B-Constant [B25-50]	4250K ± 1 %

### ■ Dimensions

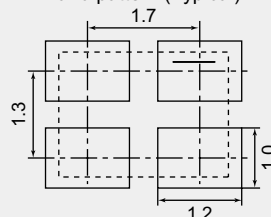


Terminal land connections (TOP VIEW)



Terminal  
#1, #3 : X' tal  
#4 : Thermistor  
#2 : Thermistor & GND

Land pattern (Typical)



### \*2 Equivalent Series Resistance

Nominal frequency (MHz)	Equivalent Series Resistance max. [Ω]
19.2 to 20	70
20 to 40	50
40 to 54	40

Please specify the model name, frequency, and specification number when you order products.  
For further questions regarding specifications, please feel free to contact us.

## X-ON Electronics

Largest Supplier of Electrical and Electronic Components

*Click to view similar products for [Crystals](#) category:*

*Click to view products by [NDK](#) manufacturer:*

Other Similar products are found below :

[MC405 32.0000K-R3:PURE SN](#) [7B-27.000MBBK-T](#) [MP1-8.0 99-BU](#) [9B-15.360MBBK-B](#) [PTX-A2JM-10.000M](#) [9C-7.680MBBK-T](#) [H10S-12.000-18-EXT-TR](#) [R38-32.768-12.5-5PPM-NPB](#) [BTD1062E05A-513](#) [21U15A-21.4MHZ](#) [RTX-781DF1-S-20.950](#) [LFXTAL066198Cutt](#) [9C-14.31818MBBK-T](#) [A-11.000MHZ-27](#) [SPT2A-.032768B](#) [SPT2A.032768G](#) [SSPT7F-9PF20-R](#) [FX325BS-38.88EEM1201](#) [MP-1-25.000MHZ-3L](#) [MP-1-6.000MHZ](#) [LFXTAL065253Cutt](#) [LFXTAL066431Cutt](#) [XT9S20ANA14M7456](#) [XT9SNLANA16M](#) [646G-24-2](#) [7A-24.576MBBK-T](#) [7B-30.000MBBK-T](#) [7A-14.31818MBBK-T](#) [6526-202-1501](#) [BTJ120E02C](#) [SG636PCE-20.000MC](#) [3404](#) [CM315D32768EZFT](#) [C1E-24.000-7-2020-R](#) [C1E-19.200-12-1530-X-R](#) [C1E-16.000-12-1530-X-R](#) [ABM11-16.000MHZ-9-B1U-T](#) [FL5000014](#) [EUCA18-3.1872M](#) [425F35E027M0000](#) [17196](#) [ABM3-13.52313MHZ-10-B4Y-T](#) [MS3V-T1R-32.768kHz-7pF-20PPM-TA-QC-Au](#) [VXM7-1C1-16M000](#) [MS1V-T1K-32.768kHz-10pF-20PPM-TA-QC-Au](#) [MS3V-T1R-32.768kHz-9pF-20PPM-TA-QC-Au](#) [ECS-80-18-30-JGN-TR](#) [17000](#) [17301](#)