

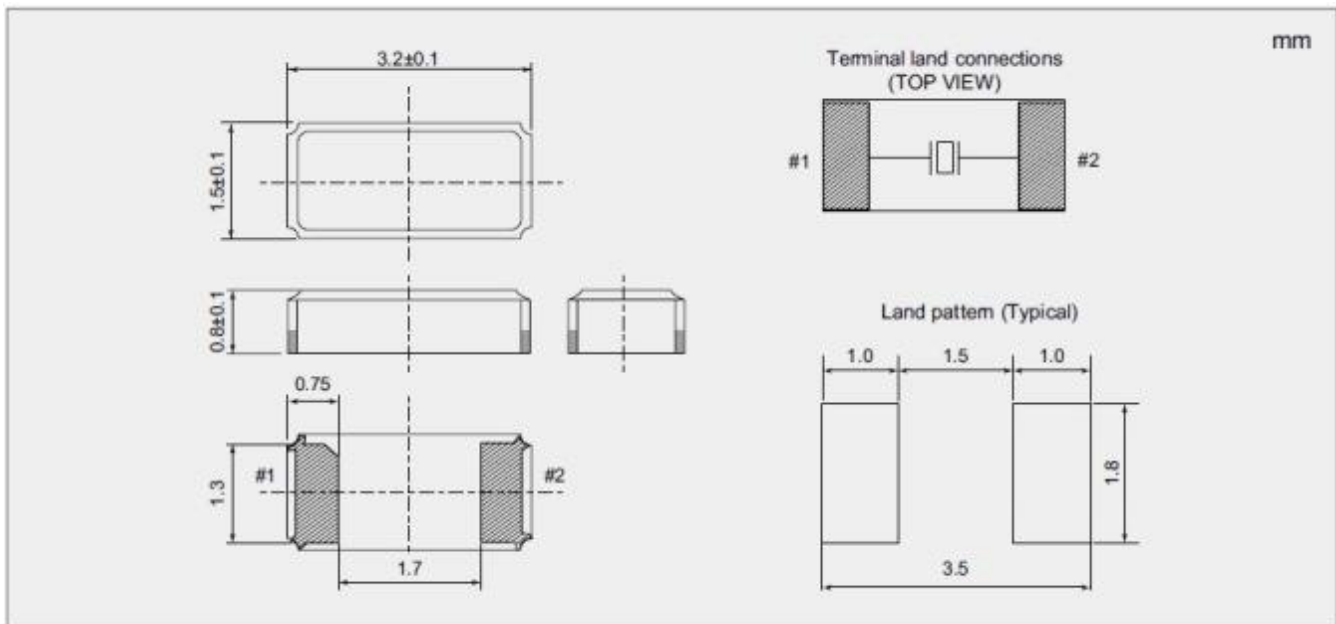
Specification of Quartz Crystal Units

- 1 NDK Part Number NX3215SA-32.768kHz-EXS00A-MU00003
- 2 Chipset Maker STMicroelectronics
- 3 Application BLE
- 4 Chipset Name BlueNRG
- 5 NDK Specification Number EXS00A-MU00003
- 6 Type NX3215SA
- 7 Electrical Characteristics

	Parameters	SYM.	Electrical Spec.				Notes
			min	typ	max	Units	
1	Nominal Frequency (f _{nom})	f _{nom}	32.768			kHz	
2	Overtone order	-	Fundamental			-	
3	Frequency tolerance	-	-20	-	+20	ppm	at +25°C
4	Turning Point	-	+25+/-5			°C	
5	Temperature coefficient	-	-0.04 Max.			ppm/°C ²	
6	Equivalent Series Resistance	R _r	-	-	90	kΩ	Network Analyzer(CNA-LF made in Transat corp.)
7	Load capacitance	CL	-	12.5	-	pF	Network Analyzer(CNA-LF made in Transat corp.)
8	Level of drive	-	-	0.1	0.5	μW	
9	Insulation resistance	-	500	-	-	Ω	*1.
10	Operating temperature range	Topr	-40	-	+85	°C	
11	Storage temperature range	Tstr	-40	-	+85	°C	

*1. Terminal to terminal insulation resistance must be 500MΩ (Min.) when DC100V ±15V is applied.

Dimension



X-ON Electronics

Largest Supplier of Electrical and Electronic Components

Click to view similar products for [Crystals](#) category:

Click to view products by [NDK](#) manufacturer:

Other Similar products are found below :

[MC405 32.0000K-R3:PURE SN](#) [7A-40.000MAAE-T](#) [MP1-8.0 99-BU](#) [9B-15.360MBBK-B](#) [PTX-A2JM-10.000M](#) [9C-7.680MBBK-T](#) [H10S-12.000-18-EXT-TR](#) [R38-32.768-12.5-5PPM-NPB](#) [BTD1062E05A-513](#) [21U15A-21.4MHZ](#) [RTX-781DF1-S-20.950](#) [LFXTAL066198Cutt](#) [9C-14.31818MBBK-T](#) [A-11.000MHZ-27](#) [SPT2A-.032768B](#) [SPT2A.032768G](#) [SSPT7F-9PF20-R](#) [FX325BS-38.88EEM1201](#) [MP-1-25.000MHZ-3L](#) [MP-1-6.000MHZ](#) [LFXTAL065253Cutt](#) [LFXTAL066431Cutt](#) [XT9S20ANA14M7456](#) [XT9SNLANA16M](#) [646G-24-2](#) [7A-24.576MBBK-T](#) [7B-30.000MBBK-T](#) [7A-14.31818MBBK-T](#) [6526-202-1501](#) [BTJ120E02C](#) [SG636PCE-20.000MC](#) [3404](#) [CM315D32768EZFT](#) [C1E-24.000-7-2020-R](#) [C1E-19.200-12-1530-X-R](#) [C1E-16.000-12-1530-X-R](#) [ABM11-16.000MHZ-9-B1U-T](#) [FL5000014](#) [EUCA18-3.1872M](#) [425F35E027M0000](#) [17196](#) [MS3V-T1R-32.768kHz-7pF-20PPM-TA-QC-Au](#) [VXM7-1C1-16M000](#) [MS1V-T1K-32.768kHz-10pF-20PPM-TA-QC-Au](#) [MS3V-T1R-32.768kHz-9pF-20PPM-TA-QC-Au](#) [ECS-80-18-30-JGN-TR](#) [17000](#) [17301](#) [16875](#)