

NX3225SC

For Automotive

■ Features

A small surface-mount type crystal unit, ideal for the special requirements of automotive, such as TPMS (Tire Pressure Monitoring System). The crystal unit is ideally suited for the clock signal generating source of the transmission unit in a tire wheel that is subject to strong centrifugal force.

- Compact and thin. (3.2 x 2.5 x 0.6 mm typ.)
- Stable frequency characteristics even with a powerful centrifugal force of 2,000 G, as found in the transmission side of TPMS applications.
- High resistance to solder cracking.
- Excellent environmental characteristics, including heat, vibration and shock resistance.
- Lead-free. Meets the requirements for re-flow profiling using lead-free solder.
- Conforms to AEC-Q200.



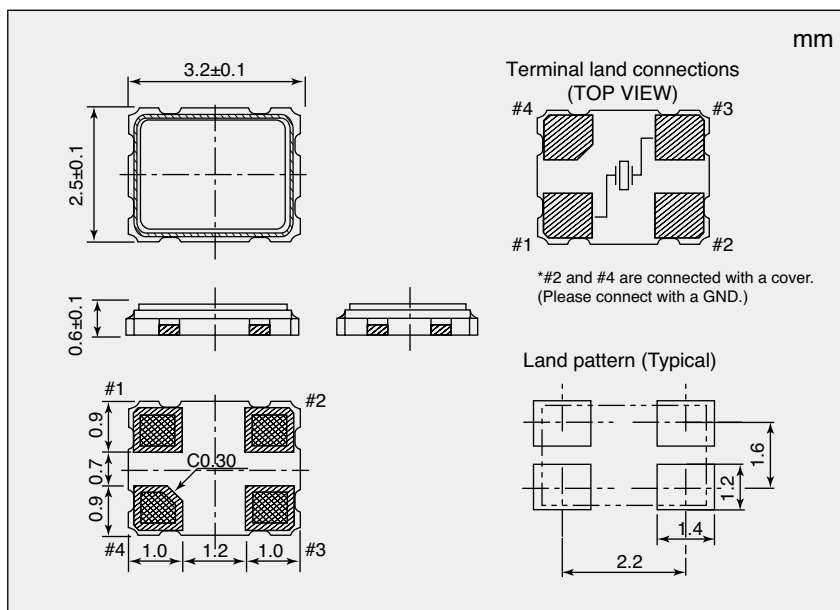
Pb Free

RoHS Compliant
Directive 2011/65/EU

■ Specifications

| Item | Model | NX3225SC |
|---|-------|------------------------|
| Nominal Frequency | | 9.8433 to 50 MHz |
| Overtone Order | | Fundamental |
| Frequency Tolerance (25 ±3 °C) | | ±15 × 10 ⁻⁶ |
| Frequency versus Temperature Characteristics (with reference to +25 °C) | | ±50 × 10 ⁻⁶ |
| Operating Temperature Range | | -40 to +125 °C |
| Storage Temperature Range | | -40 to +125 °C |
| Equivalent Series Resistance | | Refer to *1 |
| Level of Drive | | 10 μW (Max. 200 μW) |
| Load Capacitance | | 8 pF |
| Specifications Number | | STD-CRS-1 |

■ Dimensions



*1 Equivalent Series Resistance

| Nominal frequency (MHz) | Equivalent Series Resistance max. [Ω] |
|-------------------------|---------------------------------------|
| 9.8433 to 12 | 300 |
| 12 to 20 | 120 |
| 20 to 50 | 100 |

Please specify the model name, frequency, and specification number when you order products. For further questions regarding specifications, please feel free to contact us.

X-ON Electronics

Largest Supplier of Electrical and Electronic Components

Click to view similar products for [Crystals](#) category:

Click to view products by [NDK](#) manufacturer:

Other Similar products are found below :

[CX3225GB25000M0PPSZ1](#) [718-13.2-1](#) [7A-40.000MAAE-T](#) [FL2000085](#) [99-BU](#) [9B-15.360MBBK-B](#) [9C-7.680MBBK-T](#) [H10S-12.000-18-EXT-TR](#) [ABC2-6.000MHZ-D4Z-T](#) [ABLS-20.000MHZ-D2-T](#) [ABS071-32.768KHZ-6-T](#) [R38-32.768-12.5-5PPM-NPB](#) [BTD1062E05A-513](#) [21U15A-21.4MHZ](#) [RTX-781DF1-S-20.950](#) [LFXTAL066198Cutt](#) [9C-14.31818MBBK-T](#) [A-11.000MHZ-27](#) [ABL-27.000MHZ-B4Y-T](#) [ABM11-132-24.000MHZ-T3](#) [ABM3B1-25.000MHZ-D2Y-T](#) [SPT2A-.032768B](#) [SPT2A.032768G](#) [SSPT7F-9PF20-R](#) [LFXTAL065253Cutt](#) [LFXTAL066431Cutt](#) [XT9S20ANA14M7456](#) [XT9SNLANA16M](#) [7A-24.576MBBK-T](#) [7B-30.000MBBK-T](#) [MMCC2R32.7680KHZ](#) [7A-14.31818MBBK-T](#) [6504-202-1501](#) [6526-202-1501](#) [ABLS-12.000MHZ-B2Y-T](#) [7A-10.000MBBK-T](#) [SG636PCE-20.000MC](#) [3404](#) [E1SAA18-25.000M TR](#) [CM315D32768EZFT](#) [C1E-24.000-7-2020-R](#) [C1E-19.200-12-1530-X-R](#) [C1E-16.000-12-1530-X-R](#) [ABM11-16.000MHZ-9-B1U-T](#) [FL5000014](#) [EUCA18-3.1872M](#) [FX0800015](#) [425F35E027M0000](#) [FP0800018](#) [MS3V-T1R-32.768kHz-7pF-20PPM-TA-QC-Au](#)