

Specification of Simple Packaged Crystal Oscillators

- 1. **NDK Part Number** NZ2520SHA-50M-END5359A
- 2. **NDK Specification Number** END5359A
- 3. **Type** NZ2520SHA
- 4. **Absolute Maximum ratings**

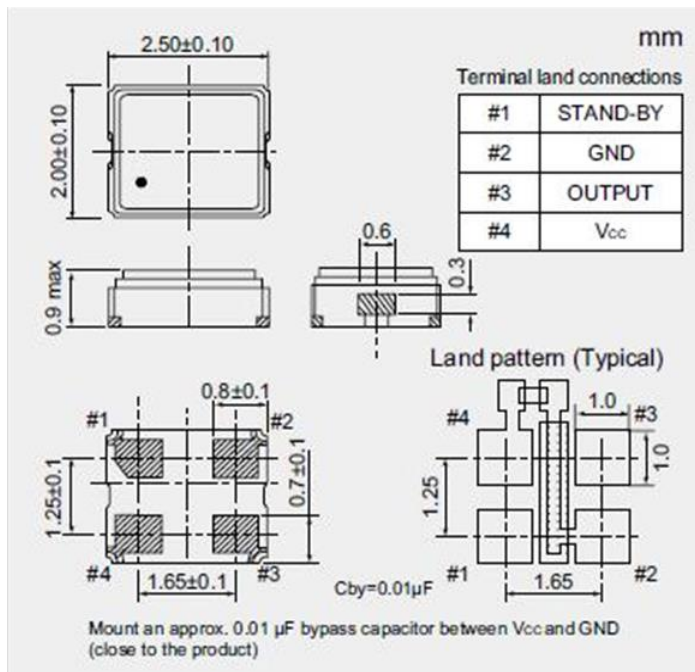
	Item	Ratings			Notes
		Min.	Max.	Units	
1	Supply voltage	-0.3	+4.0	V	-
2	Storage temp. rage	-55	+125	°C	-

4. Electrical Specification

	Parameters	SYM.	Electrical Spec.				Notes
			Min.	Typ.	Max.	Units	
1	Nominal frequency	f _{nom}	-	50	-	MHz	-
2	Supply voltage	V _{CC}	1.8	2.55	3.3	V	-
3	Current consumption (Operating)	I _{CC}	-	-	6.5	mA	at 2.55V, 25°C
4	Current consumption (Stand-by)	I _{ST}	-	-	20	µA	at 2.55V, 25°C
5	Output level	-	CMOS				-
6	Load capacitance	CL	-	-	15	pF	-
7	Operating temp. rage	T _{opr}	-40	-	+125	°C	-
8	Overall frequency tolerance	Δf/f _{nom}	-100	-	+100	ppm	*1
9	Output voltage	V _{OL}	-	-	0.1 V _{CC}	V	-
		V _{OH}	0.9 V _{CC}	-	-	V	-
10	Rise time (T _r), Fall time (T _f)	T _r /T _f	-	-	6	ns	0.1V _{CC} to 0.9V _{CC}
11	Symmetry	SYM	45	-	55	%	at 1/2V _{CC}
12	Start-up time	T _{su}	-	-	4	ms	-
13	Phase Noise (at 2.55V, 25°C)	L(f)	-	-158	-	dBc/Hz	100 kHz offset frequency
			-	-161	-	dBc/Hz	1 MHz offset frequency
			-	-162	-	dBc/Hz	10 MHz offset frequency
14	Output wave form	-	Rectangular				-
15	Stand-by function						
	#1 PAD input			# 3 PAD output			
	H level (0.7 V _{CC} to V _{CC}) or ppen			Operating			
	L level (0.3 V _{CC} max.)			High impedance			

*1 Inclusive of frequency. tolerance (at 25 °C), requery/temperature characteristics, frequency/voltage coefficient.

5. Dimension



X-ON Electronics

Largest Supplier of Electrical and Electronic Components

Click to view similar products for [Standard Clock Oscillators](#) category:

Click to view products by [NDK](#) manufacturer:

Other Similar products are found below :

[601252](#) [F335-25](#) [F535L-33.333](#) [F535L-50](#) [ECS-2018-160-BN-TR](#) [MXO45HS-2C-66.6666MHZ](#) [SiT1602BI-22-33E-50.000000E](#) [SiT8209AI-32-33E-125.000000](#) [SIT8918AA-11-33S-50.000000G](#) [SM4420TEV-40.0M-T1K](#) [F335-24](#) [F335-40](#) [F535L-10](#) [F535L-12](#) [F535L-16](#) [F535L-24](#) [F535L-27](#) [F535L-48](#) [PE7744DW-100.0M](#) [CSX-750FCC14745600T](#) [ASF1-3.686MHZ-N-K-S](#) [XO57CTECNA3M6864](#) [ECS-2100A-147.4](#) [601251](#) [EP16E7E2H26.000MTR](#) [SIT8918AA-11-33S-16.000000G](#) [XO3003](#) [9120AC-2D2-33E212.500000](#) [9102AI-243N25E100.00000](#) [8208AC-82-18E-25.00000](#) [ASDK2-32.768KHZ-LR-T3](#) [8008AI-72-XXE-24.545454E](#) [8004AC-13-33E-133.33000X](#) [AS-4.9152-16-SMD-TR](#) [ASFL1-48.000MHZ-LC-T](#) [SIT8920AM-31-33E-25.0000](#) [DSC1028DI2-019.2000](#) [9121AC-2C3-25E100.00000](#) [9102AI-233N33E100.00000X](#) [9102AI-233N25E200.00000](#) [9102AI-232H25S125.00000](#) [9102AI-133N25E200.00000](#) [9102AC-283N25E200.00000](#) [9001AC-33-33E1-30.000](#) [3921AI-2CF-33NZ125.000000](#) [5730-1SF](#) [PXA000010](#) [8003AI-12-33S-40.00000Y](#) [1602BI-13-33S-19.200000E](#) [8208AI-2F-18E-25.000000X](#)