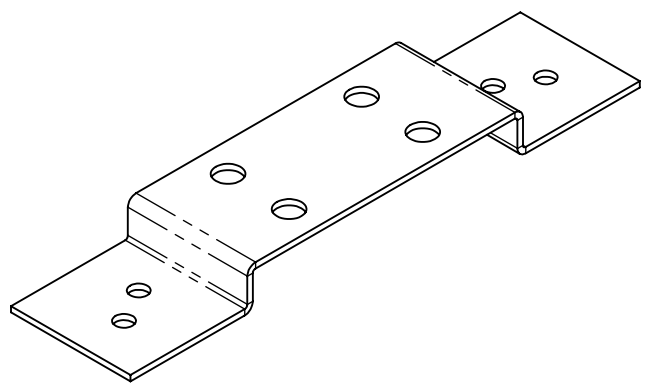
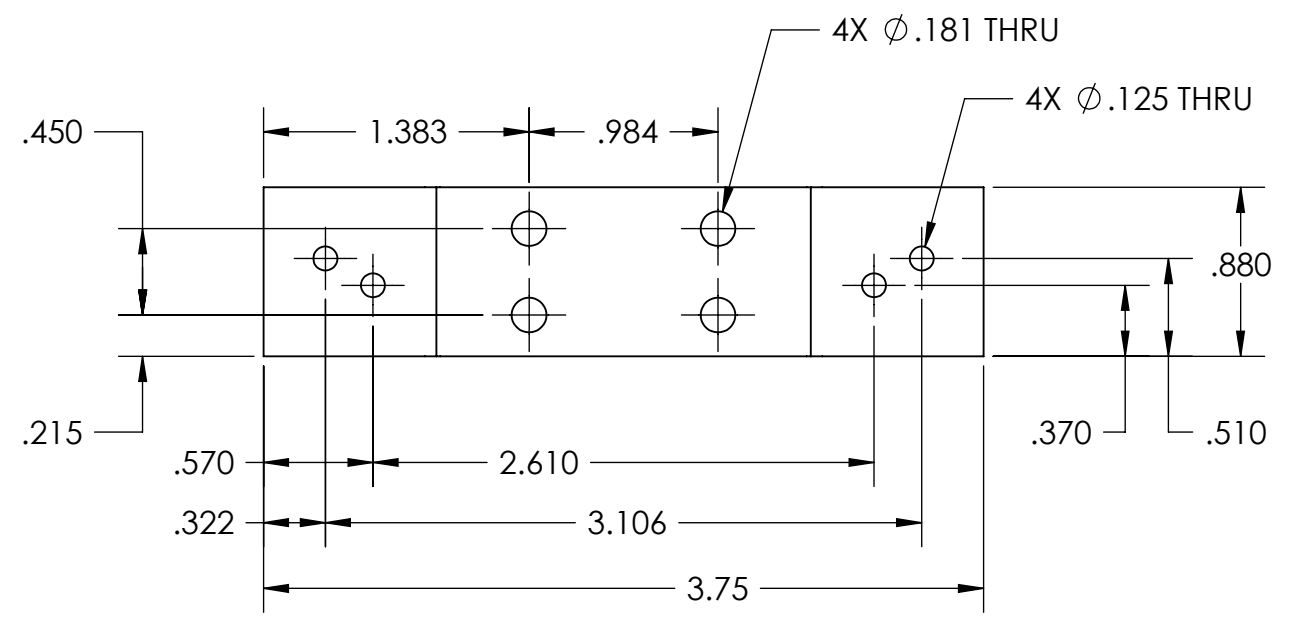


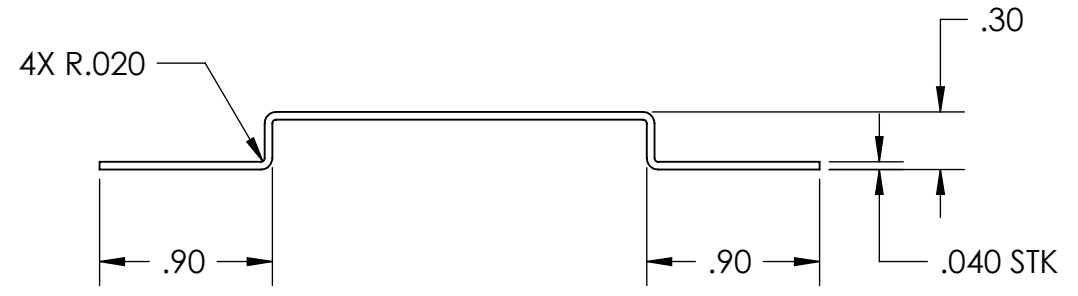
NOTES: UNLESS OTHERWISE SPECIFIED

1. REMOVE ALL BURRS AND SHARP EDGES.
2. MAT'L: 5052-H32 AL SHEET, .040 THK.
3. FINISH: CLEAR CHEM FILM AND PAINT PER MFR INSTRUCTIONS WITH CARDINAL C241-BK01, BLACK WRINKLE FINISH ALL SURFACES.

| REVISIONS | | | | |
|-----------|-----|--------------------|----------|------|
| ZONE | REV | DESCRIPTION | DATE | APVD |
| | A | PRODUCTION RELEASE | 10/18/10 | |



-001



| | | | | |
|---|---|--|--|---|
| <small>DO NOT SCALE DRAWING UNLESS OTHERWISE SPECIFIED DIMENSIONS ARE IN INCHES TOLERANCES: .X ± .1 .XX ± .02 .XXX ± .005 HOLE DIA UP TO .500 ± .002 HOLE DIA ABOVE .500 ± .003 ANGLES ± 0° 30' MACHINED SURFACES</small> | <p>PROPRIETARY INFORMATION</p> <p>NOT TO BE COPIED, USED, OR DISCLOSED WITHOUT WRITTEN PERMISSION FROM NETBURNER</p> | <small>5405 MOREHOUSE DR., STE 200 SAN DIEGO, CA. 92121 (858) 558-0293</small> | | |
| | | <p>BRACKET DIN-200</p> | | |
| <small>THIRD ANGLE PROJECTION</small> | <small>APPROVED</small> <small>DRAWN BY</small> J. PETER 10/18/2010 | <small>SCALE</small> 1:1 | <small>SIZE</small> D <small>FSCM</small> <small>DRAWING NUMBER</small> 850470 | <small>REV</small> X <small>SHEET 1 OF 1</small> |

X-ON Electronics

Largest Supplier of Electrical and Electronic Components

Click to view similar products for [Racks & Rack Cabinet Accessories](#) category:

Click to view products by [NetBurner](#) manufacturer:

Other Similar products are found below :

[M00-PLN](#) [F2424](#) [8351-832-A-24](#) [9104](#) [9105](#) [PLFF2000](#) [H-9163-B](#) [1427C3](#) [HTS10](#) [PC-79](#) [SC10-3A](#) [SC4-28](#) [CG3-340S/12](#) [CP-001BK](#)
[M6123-4007-SS](#) [TS170](#) [LP40](#) [5261304-07](#) [CG3-160G](#) [7112C-PLN](#) [ALUM](#) [CM10](#) [8610-3124-S-26](#) [TS81](#) [7142](#) [GP134](#) [M6125-4007-A-24](#)
[M6127-4007-SS](#) [PBCOVER](#) [512](#) [AEG-4000G](#) [AEG-3000G](#) [HD99](#) [SR2-66A2](#) [FP10B4HP-1](#) [SR16-66A2](#) [FP52-2](#) [1406-1006-01](#) [29478](#)
[TS2535](#) [TS169-6](#) [CAC2](#) [HA19-3U](#) [BR-19-10-1](#) [TS180](#) [CG3-ESD](#) [SC11-1](#) [CFS-1.00/2.20](#) [AX6145WM](#) [HEC0800PB](#) [ZC633R](#)