

## NAHDMI-W

HDMI feedthrough adapter, D-shape housing

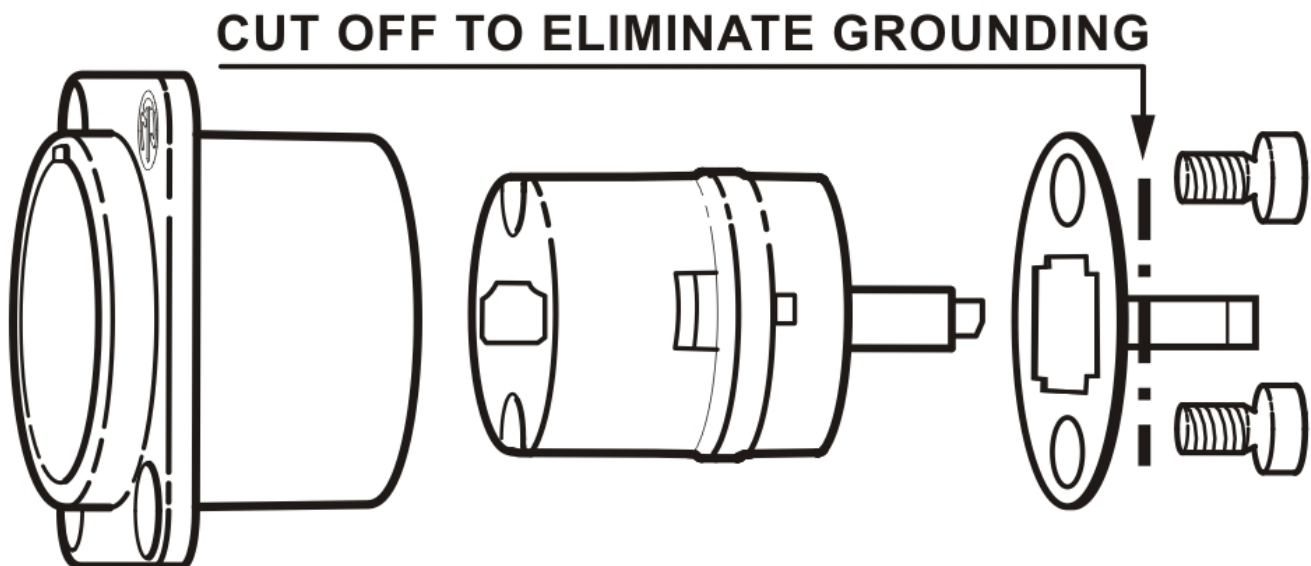
Neutrik's HDMI solution for the transmission of any digital TV and PC video format including high-definition video (HDTV) can be integrated in networks very easy.



### Features & Benefits

- To transmit any digital TV and PC video format including high-definition video (HDTV).
- IP65 ingress protection in mated condition with NKHDMI-\* and SCDP-\* sealing gasket
- Removable screen to chassis grounding
- HDMI feedthrough adapter with 19 pole HDMI receptacle at both ends
- Universally accepted standard D-shape housing
- Shielded system - high noise immunity and EMI protection due to continuous 360 degree shield

### Removable screen to chassis grounding



**Technical Information**

<b>Product</b>	
<b>Title</b>	NAHDMI-W
<b>Connection Type</b>	Adapter
<b>Gender</b>	female

<b>Mechanical</b>	
<b>Wiresize</b>	
<b>Locking device</b>	Push-Pull
<b>Mounting direction</b>	Front or rear mounting (max 2 mm panel thickness)
<b>Chassis shape</b>	D
<b>Lifetime</b>	> 1000 mating cycles

<b>Material</b>	
<b>Contact plating</b>	Au
<b>Contacts</b>	Brass (CuZn39Pb3)
<b>Insert</b>	
<b>Shell</b>	Zinc diecast (ZnAl4Cu1)
<b>Shell plating</b>	Nickel

<b>Environmental</b>	
<b>Flammability</b>	UL 94 V-0
<b>Standard compliance</b>	HDMI 2.0
<b>Temperature range</b>	-25 °C to +85 °C

## X-ON Electronics

Largest Supplier of Electrical and Electronic Components

*Click to view similar products for [HDMI, Displayport & DVI Connectors](#) category:*

*Click to view products by [Neutrik](#) manufacturer:*

Other Similar products are found below :

[1775247-3](#) [2-1932649-5](#) [30-1231](#) [30-528](#) [2069485-1](#) [30-504](#) [30-519](#) [30-542](#) [47648-2000](#) [2002-400](#) [769-103/021-000](#) [1932649-1](#) [233-368NFG6-17NH](#) [PJ-210A](#) [PJ-35825](#) [3VD51203-3D6A-7H](#) [DV11201-H5R6-4F](#) [RPI-16337](#) [CC-MDPM-VGAM-6](#) [RPI-16338](#) [CCB-HDMIL-1.5M](#) [CCB-HDMIL-1M](#) [CCB-HDMIL-2M](#) [CCB-HDMIL-3M](#) [CCB-HDMIL-5M](#) [CCB-HDMIL-7.5M](#) [CCBP-HDMI-10M](#) [CCBP-HDMI-1M](#) [CCBP-HDMI-2M](#) [CCBP-HDMI-3M](#) [CCBP-HDMI-7.5M](#) [CCBP-HDMI8K-1M](#) [CCBP-HDMI8K-2M](#) [CCBP-HDMI8K-3M](#) [AK-AV-02](#) [AK-AV-03](#) [AK-AV-05](#) [AK-AV-11](#) [AK-AV-13](#) [AK-AV-15](#) [CCP-MDP2-6](#) [CCP-MDPMDP2-6](#) [AK-HD-05A](#) [AK-HD-100A](#) [AK-HD-100P](#) [AK-HD-15A](#) [AK-HD-15P](#) [AK-HD-30A](#) [AK-HD-30P](#) [49959](#)