



## NBB75DFIX

Isolated UHD BNC chassis connector, feedthrough in antraloxy plated D-shape housing

Neutrik's UHD BNC chassis connectors offer low return loss values at high frequencies specific for high resolution video signal transmission. The machined brass connector body provides an extremely rugged and non-abrasive connection over long term use and is in addition recessed and therefore well protected in a D-shape housing.

### Features & Benefits

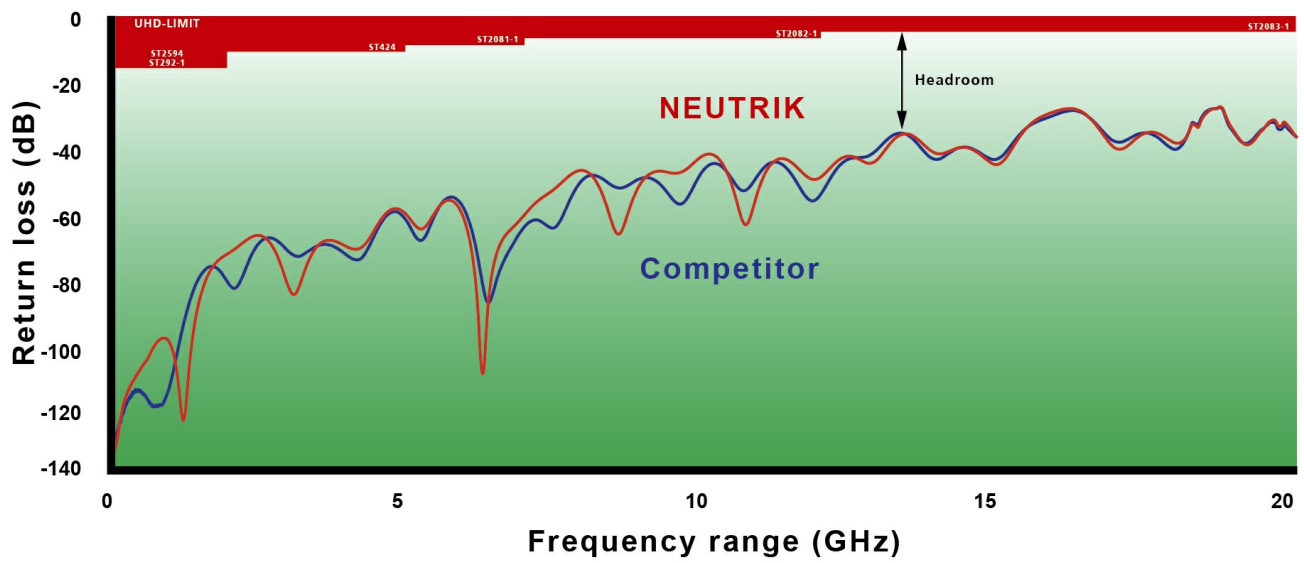
- Optimized gold plated cage type center contact for UHD signals as 4K or 8K
- Isolated panel mount
- Color coding possible
- Swiss antraloxy plating
- Standard D-shape housing provides flush mounting and protection from damage
- Fully compatible with conventional BNC cable connectors

### Optimized Return Loss

Due to optimized insulator design the Neutrik rearTWIST UHD BNC chassis connector achieves increased headroom compared to conventional BNC connectors and offers additional return loss reserve for potential impedance deviations resulting from cable bending, incorrect connector assembly or faulty connection interfaces without signal interruption.

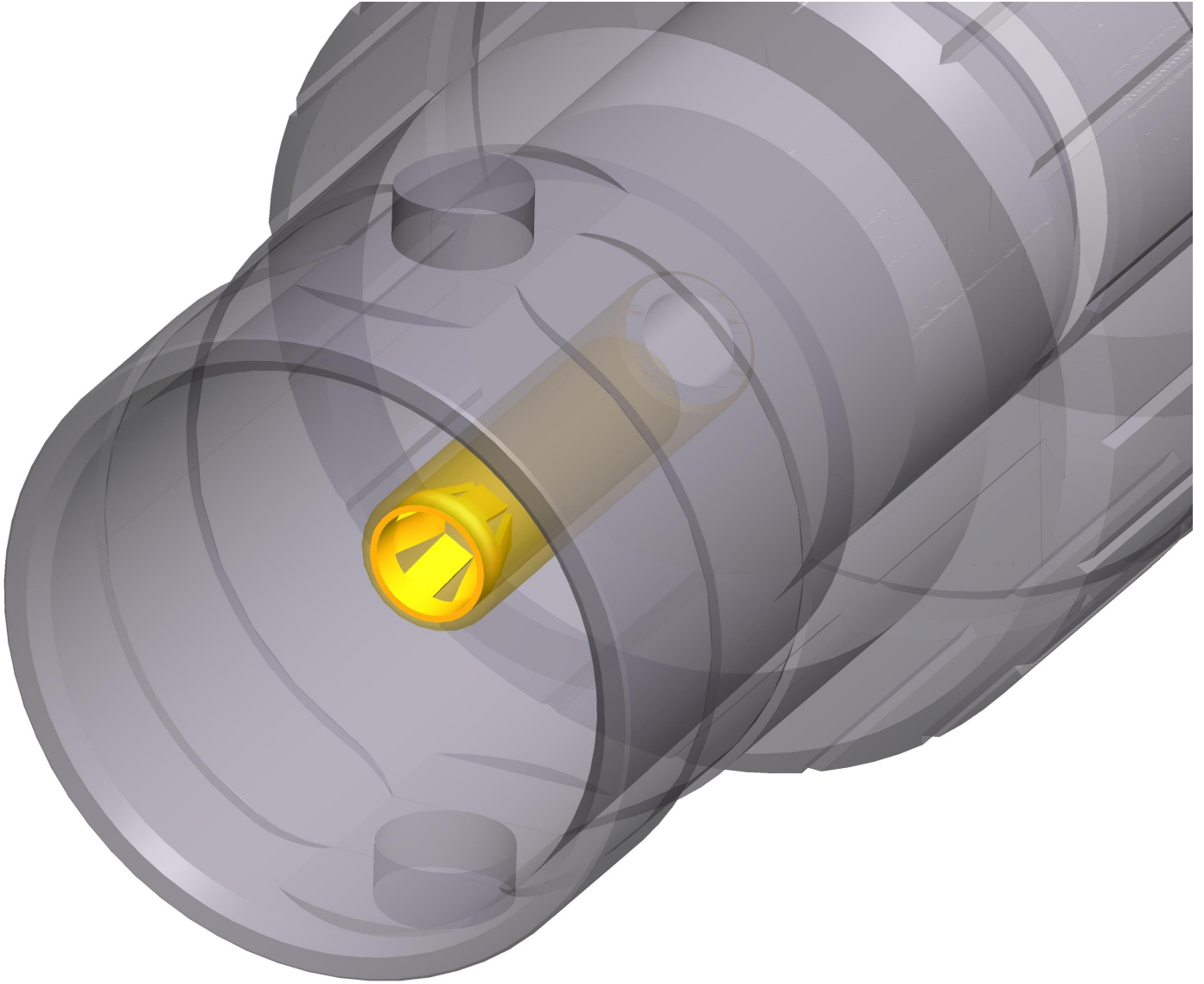
For more details see Neutrik UHD BNC White Paper.

## Neutrik's UHD BNC chassis connector



### New cage type contact

- Closed contact design - extremely robust
- Gold plated cage type clip - best possible shielding and lowest contact resistance



**Technical Information**

Product	
<b>Title</b>	NBB75DFIX
<b>Connection Type</b>	BNC 75 Ω
<b>Gender</b>	female

Electrical	
<b>Contact resistance</b>	≤ 3 mΩ (inner)
<b>Contact resistance</b>	≤ 2 mΩ (outer)
<b>Dielectric strength</b>	1.5 kVdc
<b>Impedance</b>	75 Ω
<b>Insulation resistance</b>	> 5 GΩ
<b>Rated voltage</b>	< 50 V
<b>VSWR</b>	≤1.06 / >30 dB up to 6 GHz ≤1.13 / >24 dB up to 12 GHz ≤1.22 / >20 dB up to 18 GHz
<b>Signal type</b>	UHD, SDI, Video, AES/EBU, Composit, YUV, RGB, RGBH, RGBHV

Mechanical	
<b>Insertion force</b>	< 25 N
<b>Lifetime</b>	> 1000 mating cycles
<b>Wiresize</b>	
<b>Mounting direction</b>	Front mounting
<b>Chassis shape</b>	D

Material	
<b>Contacts</b>	Brass (CuZn35Pb2), 0.2 μm AuCo (center contact)
<b>Insert</b>	PTFE
<b>Shell</b>	Polyacetal (POM) (insulation shell)
<b>Shell plating</b>	Antraloy
<b>D-shape housing</b>	Zinc diecast (ZnAl4Cu1)

**Environmental**

**Temperature range**

-30 °C to +85 °C

## X-ON Electronics

Largest Supplier of Electrical and Electronic Components

*Click to view similar products for [RF Connectors / Coaxial Connectors](#) category:*

*Click to view products by [Neutrik](#) manufacturer:*

Other Similar products are found below :

[8915-1511-000](#) [89674-0827](#) [6001-7071-019](#) [6002-7051-003](#) [6002-7551-202](#) [6059674-1](#) [619550-1](#) [630059-000](#) [M39030/3-01N](#) [6500-7071-046](#) [6769](#) [CX050L2AQ](#) [7002-1542-011](#) [7004-1512-000](#) [7009-1511-004](#) [7010-1511-000](#) [7029-1511-060](#) [7101-1541-010](#) [7101-1571-002](#) [7105-1521-002](#) [7145-1521-002](#) [7203-1571-003](#) [7209-1511-011](#) [7210-1511-015](#) [7210-1511-019](#) [73137-5015](#) [73216-2241](#) [73404-2300](#) [7405-1521-005](#) [7405-1521-802](#) [8527](#) [8547](#) [FS11V](#) [8808-1511-001](#) [9049-9513-000](#) [9074-9513-000](#) [9101-9573-002](#) [910A205F](#) [9130-9573-002](#) [PL11SC-026](#) [PL375-33](#) [PL40-5](#) [PL74C-221](#) [PL75MC-217](#) [PL803-7](#) [1200690078](#) [1-201144-1](#) [R107003010W](#) [R110A172100](#) [R112186000](#)