



**Chassis Connector
Parts Breakdown and Descriptions**



July 2020

opticalCON DRAGONFLY CHASSIS CONNECTORS

The following parts are available for opticalCON DRAGONFLY Chassis Connectors:

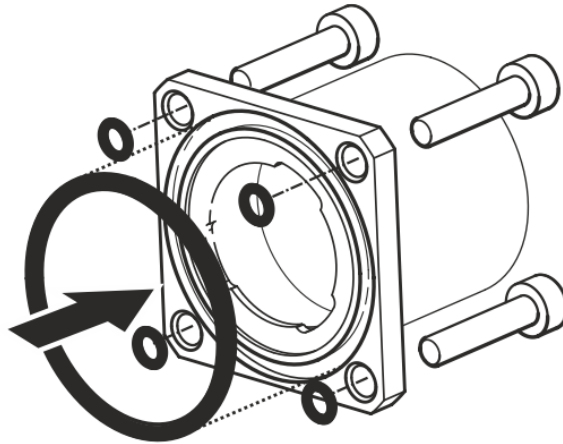
MALE CHASSIS CONNECTOR

NO2MW-XP - opticalCON DRAGONFLY Chassis Male



SCXP-M - opticalCON DRAGONFLY IP68 Sealing Kit Male (Only if IP68 is required)





NOTE - IP68 Sealing Kits *(5 chassis connectors can be sealed with one KIT)*

SCNO2MW-XP - *opticalCON DRAGONFLY Male Chassis Sealing Cover (Only if IP68 is required or you want a cover for your chassis connector)*



Note that DRAGONFLY Chassis Connectors include the copper contacts for Power and Sense in the packaging. The recommended copper contact crimp handle is DMC Model **MH860**, which can be purchased from any third-party source.



However, the necessary contact positioners (p/n **POS-XP-SENSE** and **POS-XP-POWER**) are custom-designed for the Dragonfly contacts. These must be purchased from Neutrik. Other positioners used for SMPTE connectors are not compatible.



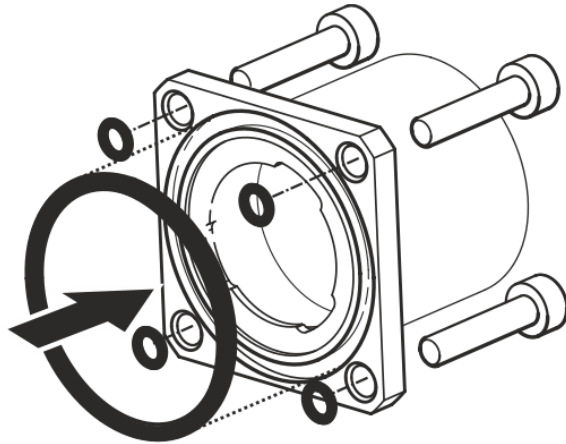
FEMALE CHASSIS CONNECTOR

NO2FW-XP - *opticalCON DRAGONFLY Chassis Female*



SCXP-F - *opticalCON DRAGONFLY IP68 Sealing Kit Female (Only if IP68 is required)*





NOTE - IP68 Sealing Kits (*5 chassis connectors can be sealed with one KIT*)

SCN02FW-XP - *opticalCON DRAGONFLY Female Chassis Sealing Cover (Only if IP68 is required or you want a cover for your chassis connector)*



Note that DRAGONFLY Chassis Connectors include the copper contacts for Power and Sense in the packaging. The recommended copper contact crimp handle is DMC Model **MH860**, which can be purchased from any third-party source.



However, the necessary contact positioners (p/n **POS-XP-SENSE** and **POS-XP-POWER**) are custom-designed for the Dragonfly contacts. These must be purchased from Neutrik. Other positioners used for SMPTE connectors are **not** compatible.



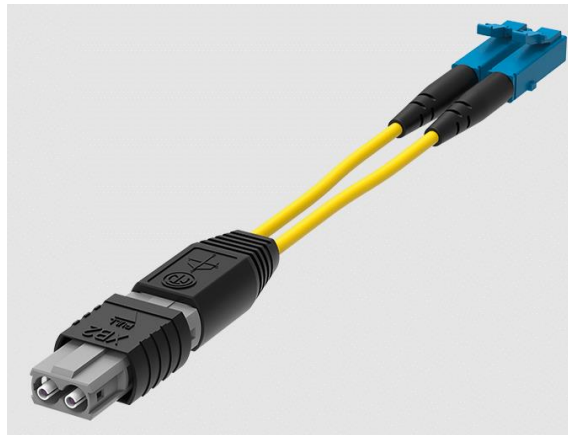
CHASSIS CONNECTOR BREAKOUT CABLES

There are three type of breakout cables that can plug into the rear of the DRAGONFLY Chassis Connectors. The first are XB2 connectors to LC breakouts. The second option is XB2 patch cables and the third is a DRAGONFLY connector to XB2 connector.

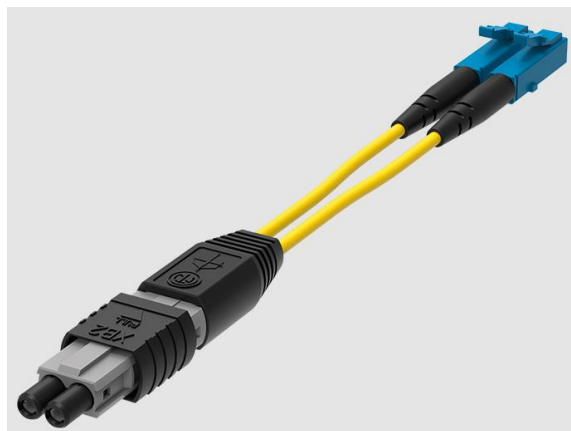
Contact Neutrik for pricing and availability of these custom length cables.

XB2 to LC breakout Cables

XB2/LC Break-out MALE - XB2 MALE Connector to LC (ST and SC also) breakout cable. This plugs into the rear of the **NO2MW-XP** Chassis Connector.

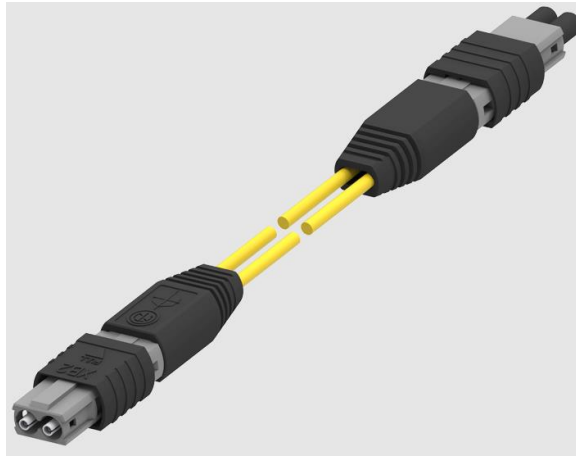


XB2/LC Break-out FEMALE - XB2 FEMALE Connector to LC (ST and SC also) breakout cable. This plugs into the rear of the **NO2FW-XP** Chassis Connector.



XB2 patch cables

XB2 FEMALE/MALE Patch - *XB2 MALE Connector to XB2 FEMALE Connector Cable.*
*This plugs into one side of the rear of the **NO2FW-XP** Chassis Connector and one side of the rear of the **NO2MW-XP** Chassis Connector.*



DRAGONFLY to XB2 connector cables

DRAGONFLY/XB2 Break-out MALE – opticalCON *DRAGONFLY MALE Connector to XB2 FEMALE Connector Cable*. This plugs into the **NO2FW-XP** Chassis Connector and into the rear of the **NO2FW-XP** Female Chassis Connector.



DRAGONFLY/XB2 Break-out FEMALE - opticalCON *DRAGONFLY FEMALE Connector to XB2 MALE Connector Cable*. This plugs into the **NO2MW-XP** Chassis Connector and into the rear of the **NO2MW-XP** Male Chassis Connector.



opticalCON DRAGONFLY REPLACEMENT PARTS

The following parts are available as opticalCON DRAGONFLY replacement parts:

SCNO2MX-XP - *Rugged lockable metal sealing cover for opticalCON DRAGONFLY male chassis connector.*



SCNO2FX-XP - *Rugged metal sealing cover for opticalCON DRAGONFLY female chassis connector.*



SCNO2SMX-XP - Rugged lockable metal sealing cover with ratch-locking system for opticalCON DRAGONFLY male chassis connector.



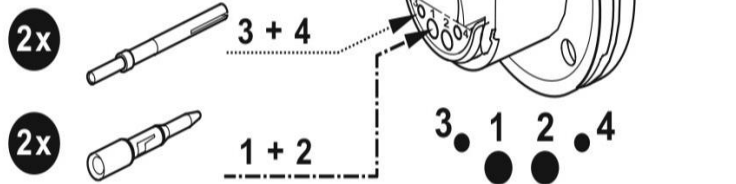
SCNO2SFX-XP - Rugged metal sealing cover with ratch-locking system for opticalCON DRAGONFLY female chassis connector.



NOPM-XP - opticalCON DRAGONFLY Contact Male Kit (Note - There are 10 contacts in one small plastic box)



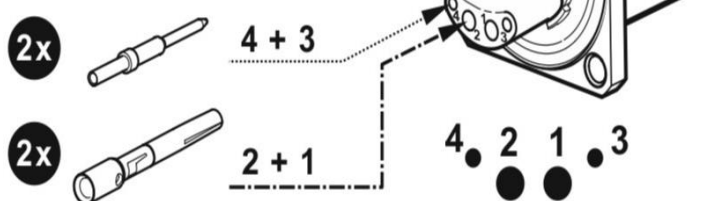
Contact 3 = sense
Contact 1 = power (-)
Contact 2 = power (+)
Contact 4 = sense
Housing = shield *
 * only functional earth



NOPF-XP - opticalCON DRAGONFLY Contact Female Kit (Note - There are 10 contacts in one small plastic box)



Contact 4 = sense
Contact 2 = power (+)
Contact 1 = power (-)
Contact 3 = sense
Housing = shield *
 * only functional earth



POS-XP-SENSE - *The POS-XP-SENSE Crimp die is used for the assembly of the sense cooper pins.*



POS-XP-POWER - *The POS-XP-POWER Crimp die is used for the assembly of the power cooper pins.*



X-ON Electronics

Largest Supplier of Electrical and Electronic Components

Click to view similar products for [Fibre Optic Cable Assemblies](#) category:

Click to view products by [Neutrik](#) manufacturer:

Other Similar products are found below :

[7-21002-9](#) [760-1518](#) [FA04390-50-M-72-LC-N](#) [MLB 501 V RED](#) [MLB 501 V YELLOW](#) [1-3636-600-5208](#) [2061529-7](#) [1-6693182-0](#)
[1754898-1](#) [21055-6](#) [FXBSCSCE2LM002](#) [3000005](#) [3-21053-2](#) [MLB 200/1 V BLACK](#) [MLB 2001 V RED](#) [MLB 2001 V YELLOW](#) [MLB 501](#)
[V BLACK](#) [5492011-6](#) [106284-7000](#) [5492011-5](#) [5492011-8](#) [5492011-9](#) [8-21007-5](#) [2123524-2](#) [2123524-1](#) [106386-4447](#) [DFSM-SCSC-2M](#)
[2123909-4](#) [2123909-8](#) [106273-0629](#) [2125046-1](#) [2821236-3](#) [2821310-2](#) [2821310-3](#) [2821313-4](#) [FX2ERLNLNSNM0.5](#) [CF-980062-074](#) [CF-](#)
[901200-394](#) [CF-980062-073](#) [CF-980062-071](#) [CF-980062-075](#) [CF-980062-072](#) [17-300310-100](#) [2821236-2](#) [2821313-1](#) [G-FC-FC-S-002.0-DX-](#)
[A-18-Y](#) [G-E2A-E2A-S-003.0-SX-A-18-Y](#) [956-322-502214](#) [FA04474](#) [1083665](#)