



Pancake 1/4" Right Angle Plugs



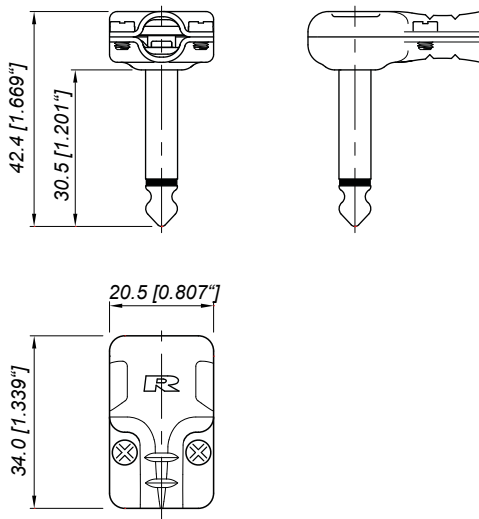
RP2RCF



RP2RCF-BAG

- 1/4" mono plug
- Right angle version
- Available with nickel or black cover
- Heavy duty cable clamp for best strain relief
- Cable O.D. up to 7 mm

RPRCF*



Ordering Information

| Type No. | Mono 2 pole | Description |
|------------------------|-------------|--|
| 1/4" right angle plugs | | |
| RP2RCF | • | 2 pole 6.35 mm right angle plug, pancake-type, nickel metal bottom housing and top cover, nickel plated contacts. Single packed |
| RP2RCF-BAG | • | 2 pole 6.35 mm right angle plug, pancake-type, nickel metal bottom housing, black top cover, nickel plated contacts. Single packed |

Note: Bulk packed version available with suffix "-D", to be ordered in multiples of 100 pcs.

Specification

Phone
plugs

| Electrical | |
|--------------------------------------|-------------------------------|
| Rated current and contact resistance | depends on mating connector |
| Insulation resistance | ≥ 1 GΩ |
| Dielectric strength | > 1.0 kV dc |
| Mechanical | |
| Cable O.D. | 6 - 7 mm |
| Wiresize | 0.22 mm ² / 24 AWG |
| Lifetime | > 1'000 mating cycles |
| Solderability | complies with IEC68-2-20 |
| Operating temperature | -20°C to +70°C |
| Material | |
| Shell | Steel |
| Shell plating | - bottom - cover |
| | Nickel Nickel or Black |
| Contacts | Brass |
| Contacts plating | Nickel |

Part number coding: BAG.... black handle, nickel plated contacts

X-ON Electronics

Largest Supplier of Electrical and Electronic Components

Click to view similar products for [Phone Connectors](#) category:

Click to view products by [Neutrik](#) manufacturer:

Other Similar products are found below :

[M444B](#) [6J1041A](#) [R4F](#) [E12BPKG](#) [ECP4PKG](#) [161-3502L-E](#) [MT333X](#) [171-0350-EX](#) [171-101A-EX](#) [171-3325-EX](#) [176S](#) [NC3MG-V](#)
[NYS228G](#) [P10834](#) [P2380](#) [P2381X](#) [P2411X](#) [P2412](#) [P2724](#) [JM2PB-AU BULK](#) [9144](#) [S2674](#) [280L](#) [163-158N-2-E](#) [171-3308-EX](#) [171-3500-E](#)
[2501FT](#) [CMT335](#) [M10662](#) [330Q](#) [RJ5VI-S](#) [40116](#) [TM1R-AU](#) [TM2PBMJ-AU](#) [TM2PJ-AU](#) [TM2PJ-AU BULK](#) [4803.1351](#) [49201](#) [49205](#)
[TS3PBJ-AU](#) [TS3PBMJ-AU](#) [TT32BX](#) [54B](#) [40112](#) [40205](#) [415](#) [XMT332B](#) [52170017-331](#) [570](#) [NM3](#)