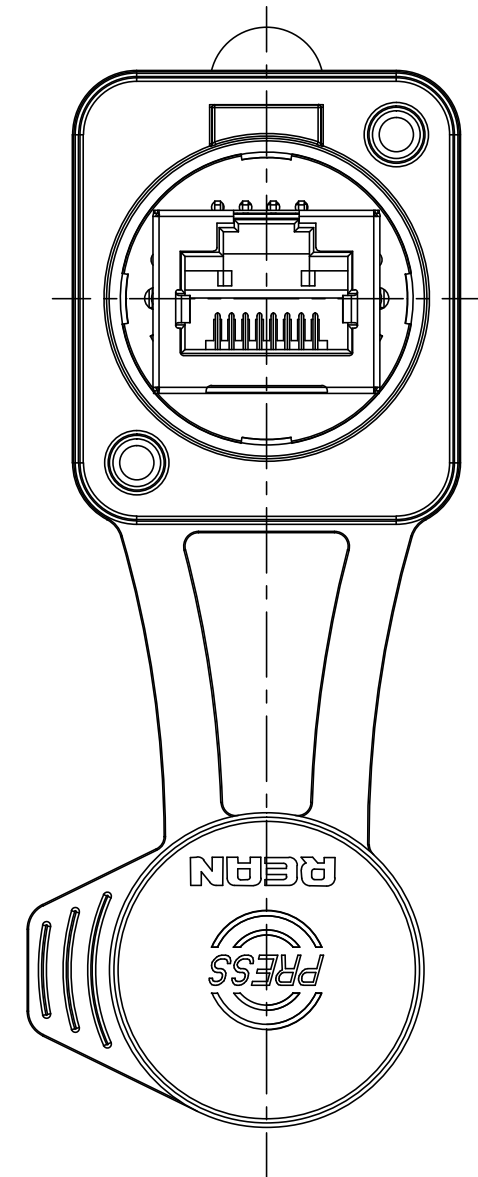
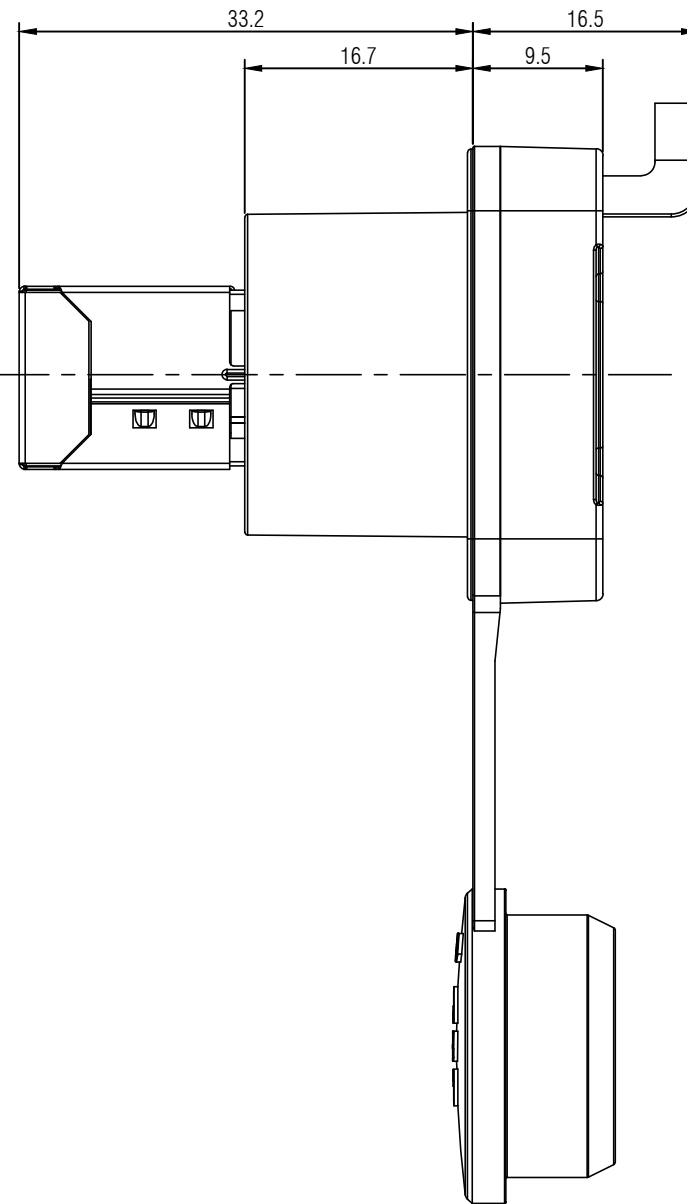
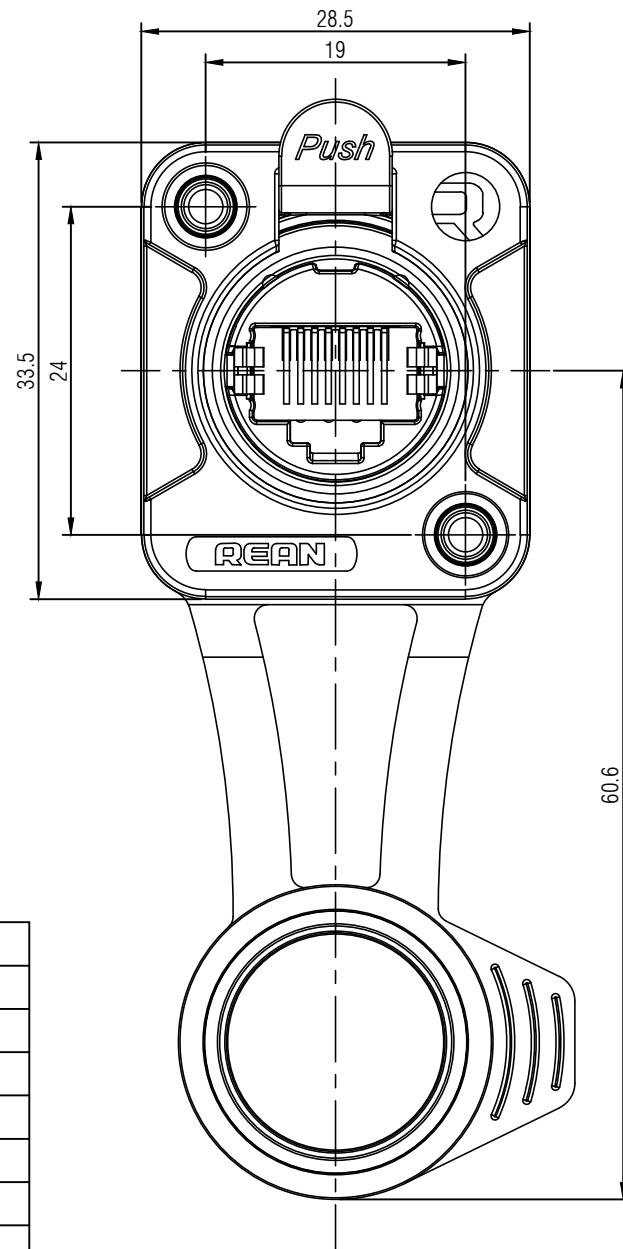
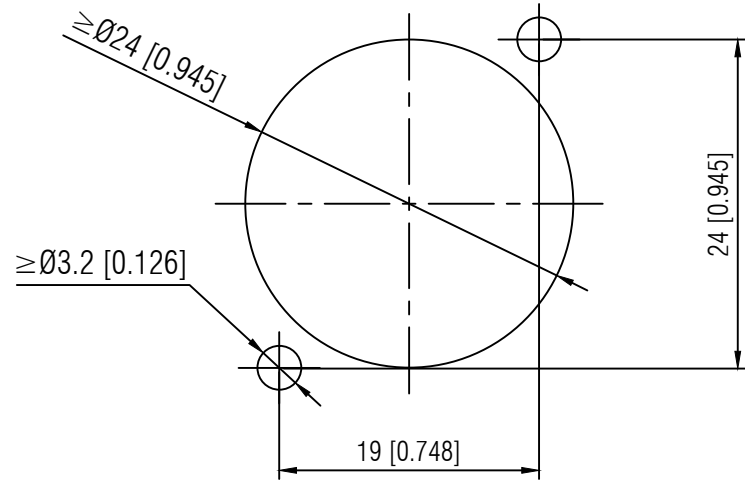


Panel Cut out dimension



| | |
|---------------------------------------|------------------------|
| ◆电气性能 / Electrical | |
| -接触电阻 / Contact resistance | <100mΩ |
| -绝缘强度 / Dielectric strength | 1kVdc |
| -频率范围 / Frequency range | 1-100 MHz |
| -绝缘电阻 / Insulation resistance | >0.5 GΩ |
| -单个触点额定电流 / Rated current per contact | 1.5A |
| -额定电压 / Rated voltage | <50 V |
| -传输性能 / Transmission performance | CAT 5e |
| ◆机械性能 / Mechanical | |
| -插入力 / Insertion force | ≤60 N |
| -拔出力 / Withdrawal force | ≤60 N |
| -使用寿命/Lifetime | 1,000 mating cycles |
| -面板厚度 / Panel thickness | 9.5mm |
| -锁紧装置 / Locking device | 闩式锁/Latch lock |
| -底座形状 / Chassis shape | D |
| ◆材料 / Material | |
| 1.触点电镀 / Contact plating | 镀金 / Gold Plating |
| 2.触点 / Contacts | Bronze |
| 3.外壳/ Shell | Zinc |
| 4.外壳电镀 / Shell plating | 镀黑 / Black Plating |
| ◆环境 / Environmental | |
| 1.可燃性 /Flammability | UL 94 V-0 |
| 2.符合标准 / Standard compliance | TIA/EIA 586B, IEC11801 |
| 3.运行温度 / Temperature range | -30°C to +80°C |
| 4.防护等级 / Protection class | IP65 and Air tightness |

Note:

1. All dimensions in mm.
2. Tolerances not specified is ±0.1mm.

| | | | | | | | |
|--|--|--|--|------------------|-------------------------|------------|---------------|
| THIS DOCUMENT IS THE PROPERTY OF NEUTRIK. NO PART THEREOF MAY BE REPRODUCED AND USED WITHOUT THE PRIOR WRITTEN CONSENT OF THE OWNER | | | | Material: | Scale: 2 : 1 (A3) | Date: | Name: |
| | | | | | | 2023.01.09 | Chenbin.Zhang |
| Title: RRE8F-Z-010 | | | | Replaced By: | 1 | | |
| | | | | | Replaces: | 1 | |
| Rev. | | | | Revision Details | | Date | Name |
| REAN | | | | Drawing No.: | | | |

X-ON Electronics

Largest Supplier of Electrical and Electronic Components

Click to view similar products for [Modular Connectors](#) / [Ethernet Connectors](#) category:

Click to view products by [Neutrik](#) manufacturer:

Other Similar products are found below :

[8949-H88/06BLKA/SN](#) [74441-0010/BKN](#) [PHP-6P6C-5](#) [GAX-3-66](#) [GDCX-PN-66](#) [GLX-A-44](#) [GLX-N-1010M-BLK](#) [GLX-S-88M-BLK](#)
[GMX-SMT4-N-88](#) [GSGX-N-2-88](#) [GSGX-N-4-88](#) [GSX-NS2-88-3.05](#) [GSX-NS-88-3.68](#) [PT-108A-8C-UL](#) [PTS-J531-8CS-50UL](#) [A-2014-0-4](#)
[GWLX-S9-88-YG](#) [DC-1021-8-WH-6](#) [1300530003](#) [1324640-4](#) [132764-001](#) [1413235](#) [MPS88RX-5000](#) [E5288-S000K3-L](#) [155302-001](#)
[AX101050](#) [AX101063](#) [AX101065](#) [AX101072](#) [AX101307](#) [AX101315](#) [AX101318](#) [AX102271](#) [AX102651](#) [AX102660](#) [AX104024](#) [203475](#)
[J0026D01ENL](#) [PC4D0018P](#) [KIT38082NI](#) [8949-B88/6](#) [2-6609208-5](#) [30-8956](#) [30-8964-100](#) [SM85](#) [17-103540](#) [191587](#) [PDI-68-RV](#) [PHP-](#)
[8P8C-S-5](#) [GAX-3-66-50](#)