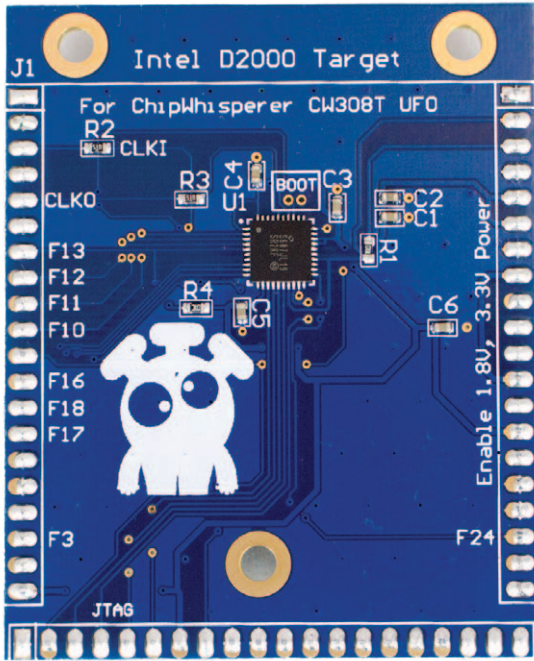




# Intel D2000 UFO Target



The CW308T-D2000 target series allows experiments on the unique D2000 target from Intel. This target has an X86 core in a microcontroller body. You can experiment with various aspects of the device and see how something besides an Arm device performs!

Note this device does not have programming support from ChipWhisperer - it is recommended to use an OpenOCD programmer (such as ARM-USB-OCD-H) with this board.

Example software AES library implements SimpleSerial ENC protocol.

**CW308 UFO Baseboard Required for use!**

**JTAG Programmer Required for use!**

## Product Highlights

FND2000 device from Intel in QFN package.

Basic board interfaces with ChipWhisperer CW308 UFO Board.

SimpleSerial example provides starting point for interfacing with ChipWhisperer software.

D2000 has unique x86 based core.

## Ordering Summary

NAE-CW308T-D2000 Intel FND2000 UFO Target.

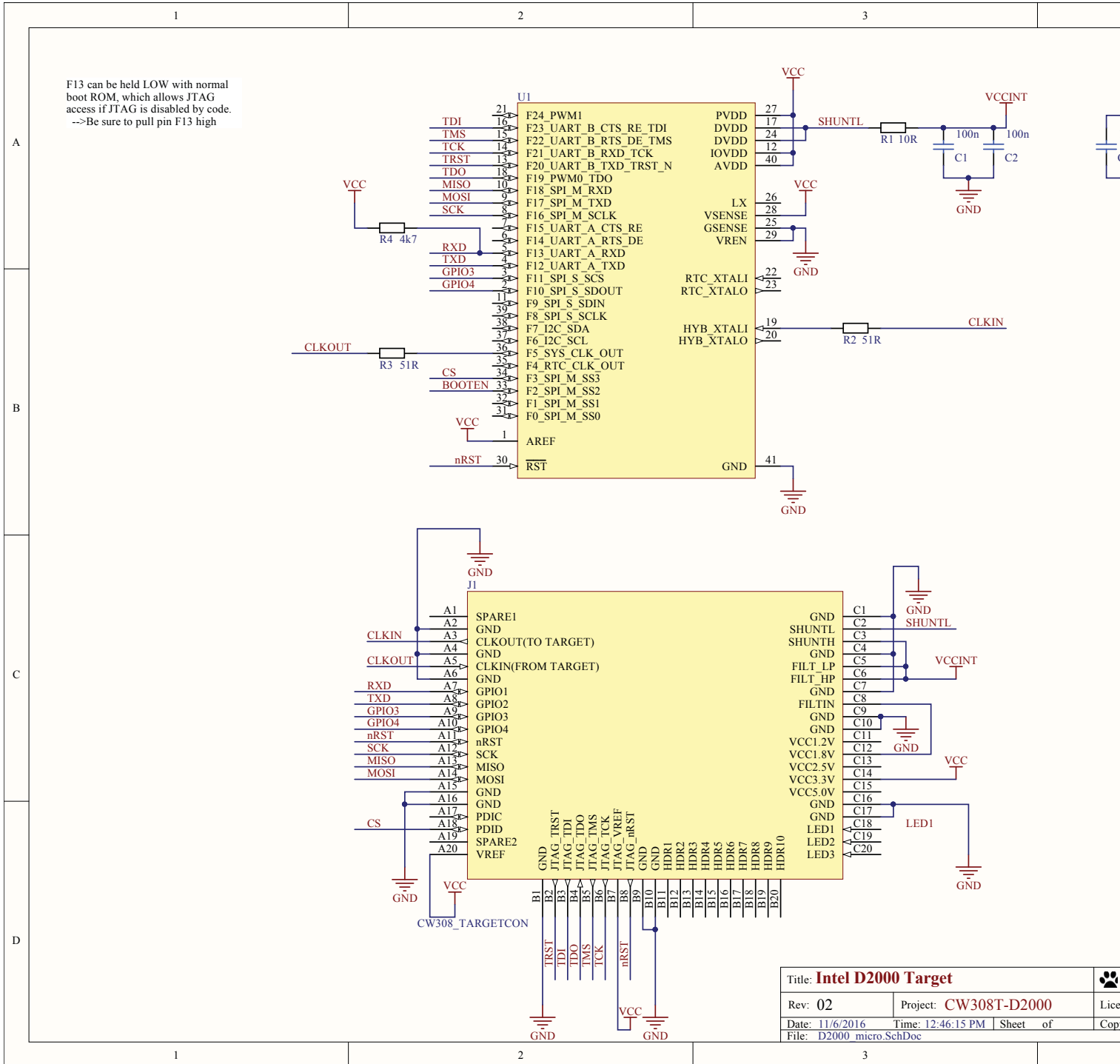
## Product Links

Full Documentation <https://wiki.newae.com/CW308T-D2000>

Firmware Examples <https://github.com/newaetech/chipwhisperer/tree/master/hardware/victims/firmware>

# Schematic

F13 can be held LOW with normal boot ROM, which allows JTAG access if JTAG is disabled by code.  
-->Be sure to pull pin F13 high



Title: <b>Intel D2000 Target</b>		
Rev: 02	Project: CW308T-D2000	Licen
Date: 11/6/2016	Time: 12:46:15 PM	Sheet of
File: D2000_micro.SchDoc		Copy

## Disclaimers

All content is Copyright NewAE Technology Inc., 2018. ChipWhisperer is a trademark of NewAE Technology Inc., registered in the United States of America and Europe. ChipSHOUTER is a trademark of NewAE Technology Inc., registered in Europe. Trademarks are claimed in all jurisdictions and may be registered in other states than specified here.

NewAE Technology makes no representations or warranties with respect to the accuracy or completeness of the contents of this document and reserves the right to make changes to specifications and product descriptions at any time without notice. NewAE Technology does not make any commitment to update the information contained herein. NewAE Technology products are not intended, authorized, or warranted for use as components in applications intended to support or sustain life. NewAE Technology products are designed solely for teaching purposes.

All other product names and trademarks are the property of their respective owners, which are in no way associated or affiliated with NewAE Technology Inc. Use of these names does not imply any co-operation or endorsement.

AVR and XMEGA are registered trademarks or trademarks of Atmel Corporation or its subsidiaries, in the US and/or other countries.

Artix and Spartan are registered trademarks or trademarks of Xilinx, Inc. or its subsidiaries, in the US and/or other countries.

Arm is a registered trademark of Arm Limited (or its subsidiaries) in the US and/or elsewhere.

## X-ON Electronics

Largest Supplier of Electrical and Electronic Components

*Click to view similar products for [Development Boards & Kits - x86 category](#):*

*Click to view products by [NewAE manufacturer](#):*

Other Similar products are found below :

[conga-MEVAL](#) [iQ7-DB-MATX-R10](#) [DFR0453](#) [ETX-Proto](#) [Q7-BASE-R01](#) [Starterkit-CFE-E-2176M-3DIMM/M48G](#) [Starterkit-COM Express](#)  
[6](#) [Starterkit-COM Express 6 PLUS](#) [VIZI-AI LEC-AL-E3940-AI-4G-32G/EMEA](#) [VPX-R300](#) [AKX00002](#) [AKX00002SL](#) [CEB94701](#) [7000-](#)  
[54864-102-101](#) [ARDUINO2.AL.B](#) [ARDUINO.AL.B](#) [GT.PDKW](#) [IOTGTWY.DK110](#) [IOTGTWY.DK200](#) [IOTGTWY.DK300](#)  
[IOTGTWY.DK50](#) [MIKROE-2582](#) [102010028](#) [110060064](#) [110060382](#) [110060577](#) [SOM-DB5800-00A2E](#) [ROM-DB7500-SCA1E](#) [conga-](#)  
[QEVAL/Qseven 2.0](#) [conga-QKIT](#) [X7EVAL/ind](#) [68300-0000-00-0](#) [MIKROE-2546](#) [DEV-13033](#)