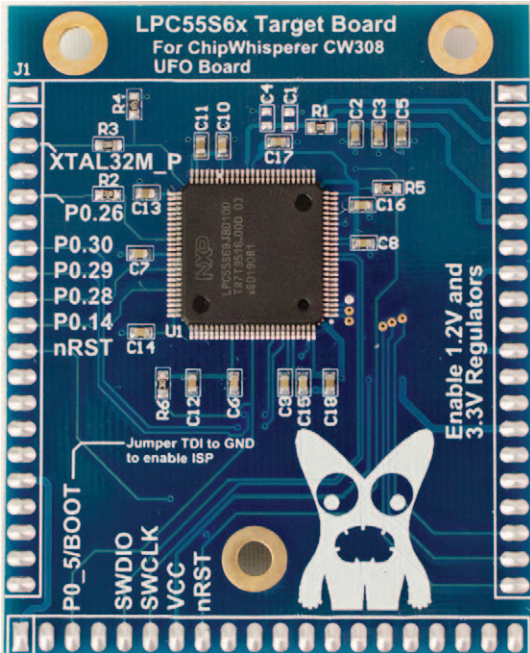




# LPC55S69 UFO Target



The LPC55S69 board features the LPC55S69 from NXP. This device has a dual-core Cortex-M33 core, which features many advanced security features including a PUF and TrustZone-M.

This board requires an external programmer (such as Atmel ICE or OpenOCD) to be used. The example firmware will bring up the AES peripheral (which does not have DPA countermeasures) along with running other normal demos.

The design files are available as part of the open-source ChipWhisperer example targets.

**CW308 UFO Baseboard REQUIRED for use!**

**JTAG/SWD Programmer REQUIRED for use!**

## Product Highlights

NXP LPC55S6x in TQFP-100 package.

JTAG port on CW308 UFO baseboard breaks out SWD pins to standard 20-pin JTAG header.

Many security features including TrustZone-M, and silent access modes for FLASH and RAM can be investigated.

Full design files are available under an open-source license.

Default 10-ohm shunt resistor for high-SNR measurements, can be shorted with lower-value resistor when running higher frequencies or full dual-core mode.

## Errata

Rev -02 PCBs have a solder jumper shorting Pin 44-45 on TQFP package, with reduces noise by disabling the DC-DC SMPS in the device. Do not remove this solder jumper as it is not a defect but added on purpose.

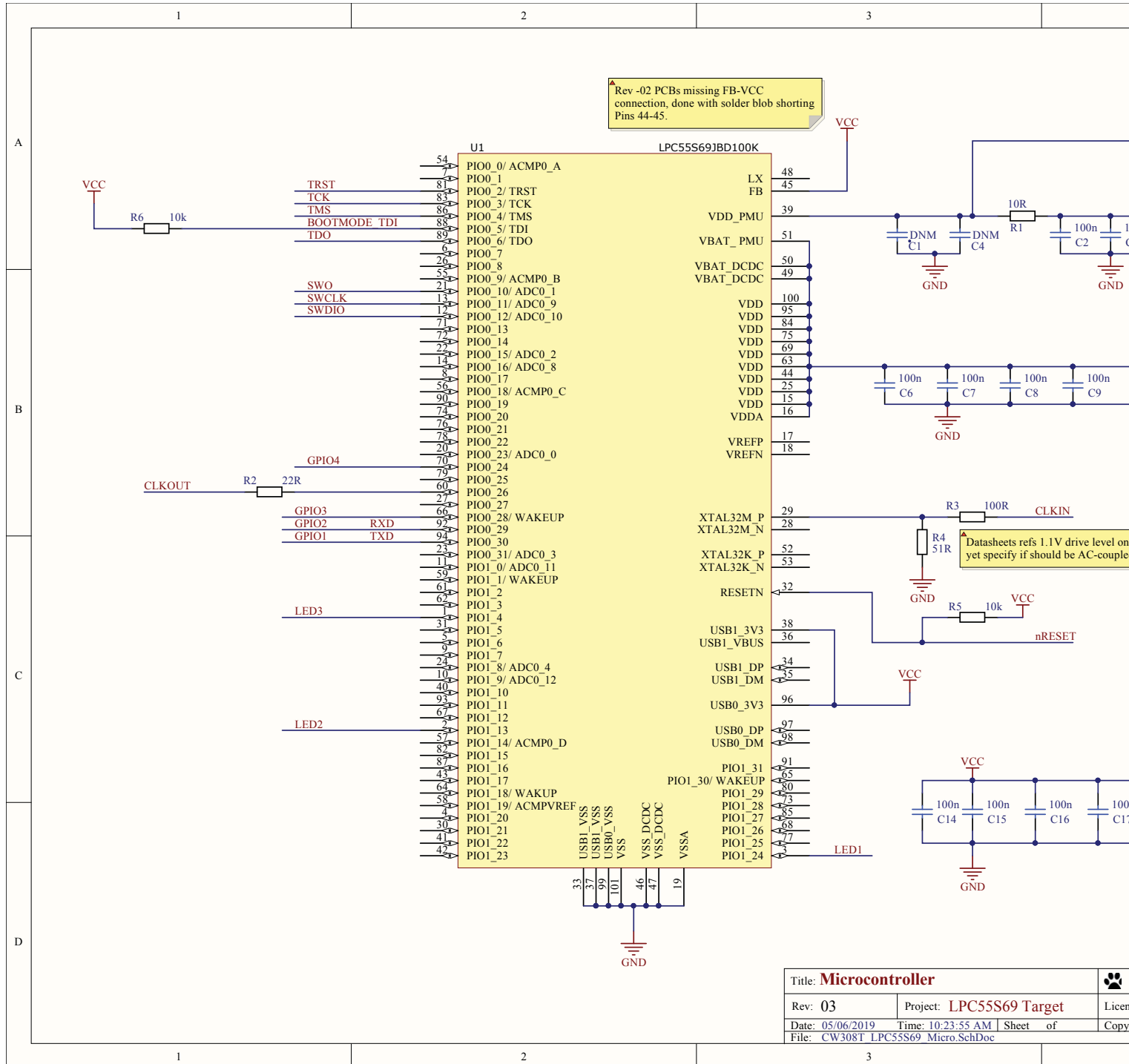
## Ordering Summary

NAE-CW308T-LPC55S69 NXP LPC55S69 UFO Target Board.

## Product Links

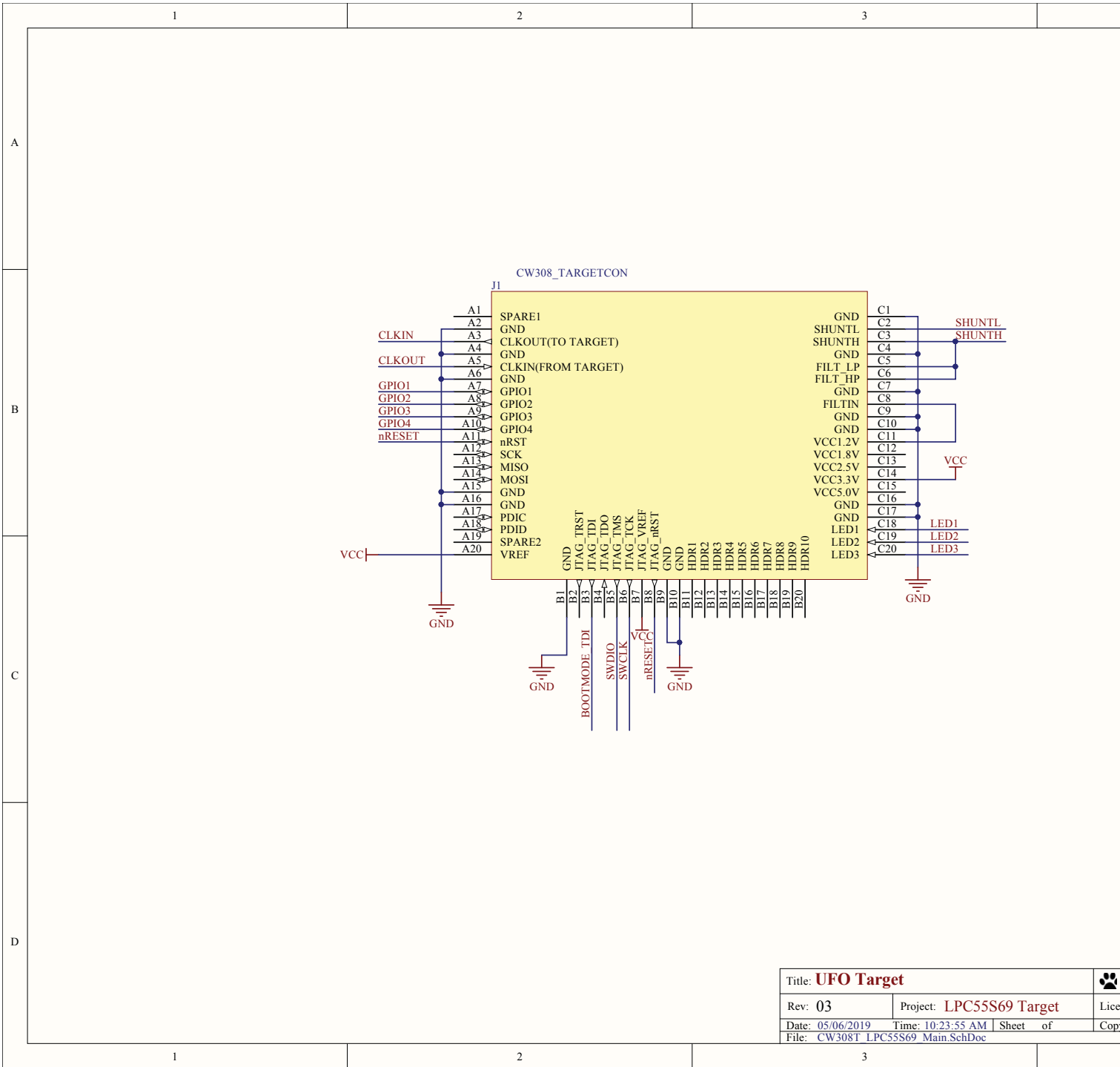
Full Documentation <https://wiki.newae.com/CW308T-LPC55S69>  
Hardware Design <https://github.com/newaetech/chipwhisperer-target-cw308t>  
Firmware Example <https://github.com/newaetech/chipwhisperer/tree/develop/hardware/victims/firmware/>

# Schematic



Title: <b>Microcontroller</b>		
Rev: <b>03</b>	Project: <b>LPC55S69 Target</b>	Licen
Date: 05/06/2019	Time: 10:23:55 AM	Sheet of
File: CW308T_LPC55S69_Micro.SchDoc		Copy

# Schematic



Title: <b>UFO Target</b>		Project: <b>LPC55S69 Target</b>		Sheet of	
Rev: <b>03</b>	Date: <b>05/06/2019</b>	Time: <b>10:23:55 AM</b>	File: <b>CW308T LPC55S69 Main.SchDoc</b>	Cop	

## Disclaimers

All content is Copyright NewAE Technology Inc., 2019. ChipWhisperer is a trademark of NewAE Technology Inc., registered in the United States of America and Europe. ChipSHOUTER is a trademark of NewAE Technology Inc., registered in Europe. Trademarks are claimed in all jurisdictions and may be registered in other states than specified here.

NewAE Technology makes no representations or warranties with respect to the accuracy or completeness of the contents of this document and reserves the right to make changes to specifications and product descriptions at any time without notice. NewAE Technology does not make any commitment to update the information contained herein. NewAE Technology products are not intended, authorized, or warranted for use as components in applications intended to support or sustain life. NewAE Technology products are designed solely for teaching purposes.

All other product names and trademarks are the property of their respective owners, which are in no way associated or affiliated with NewAE Technology Inc. Use of these names does not imply any co-operation or endorsement.

## X-ON Electronics

Largest Supplier of Electrical and Electronic Components

*Click to view similar products for [Development Boards & Kits - ARM category](#):*

*Click to view products by [NewAE manufacturer](#):*

Other Similar products are found below :

[SAFETI-HSK-RM48](#) [PICOHOBBITFL](#) [CC-ACC-MMK-2443](#) [TWR-MC-FRDMKE02Z](#) [EVALSPEAR320CPU](#) [EVB-SCMIMX6SX](#)  
[MAX32600-KIT#](#) [TMDX570LS04HDK](#) [TXSD-SV70](#) [OM13080UL](#) [EVAL-ADUC7120QSPZ](#) [OM13082UL](#) [TXSD-SV71](#)  
[YGRPEACHNORMAL](#) [OM13076UL](#) [PICODWARFFL](#) [YR8A77450HA02BG](#) [3580](#) [32F3348DISCOVERY](#) [ATTINY1607](#) [CURIOSITY](#)  
[NANO](#) [PIC16F15376](#) [CURIOSITY NANO BOARD](#) [PIC18F47Q10](#) [CURIOSITY NANO](#) [VISIONSTK-6ULL V.2.0](#) [80-001428](#) [DEV-17717](#)  
[EAK00360](#) [YR0K77210B000BE](#) [RTK7EKA2L1S00001BE](#) [MAX32651-EVKIT#](#) [SLN-VIZN-IOT](#) [ETTUS USRP B200MINI](#) [USB-202](#)  
[MULTIFUNCTION DAQ DEVICE](#) [USB-205 MULTIFUNCTION DAQ DEVICE](#) [ALLTHINGSTALK LTE-M RAPID DEV. KIT](#) [LV18F V6](#)  
[DEVELOPMENT SYSTEM](#) [READY FOR AVR BOARD](#) [READY FOR PIC BOARD](#) [READY FOR PIC \(DIP28\)](#) [EVB-VF522R3](#)  
[AVRPLC16 V6 PLC SYSTEM](#) [MIKROLAB FOR AVR XL](#) [MIKROLAB FOR PIC L](#) [MINI-AT BOARD - 5V](#) [MINI-M4 FOR STELLARIS](#)  
[MOD-09.Z](#) [BUGGY + CLICKER 2 FOR PIC32MX + BLUETOOT](#) [1410](#) [LETS MAKE PROJECT PROGRAM. RELAY PIC](#) [LETS MAKE -](#)  
[VOICE CONTROLLED LIGHTS](#) [LPC-H2294](#)