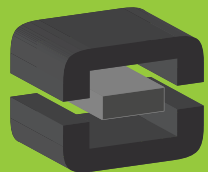


From Off-The-Shelf to Market-Ready© New Age Enclosures is your Single Source Solution.
Let us quote modifying our Stock Enclosures to meet your end-use.
visit newageenclosures.com/services or call 855-4NA-ENCL today.

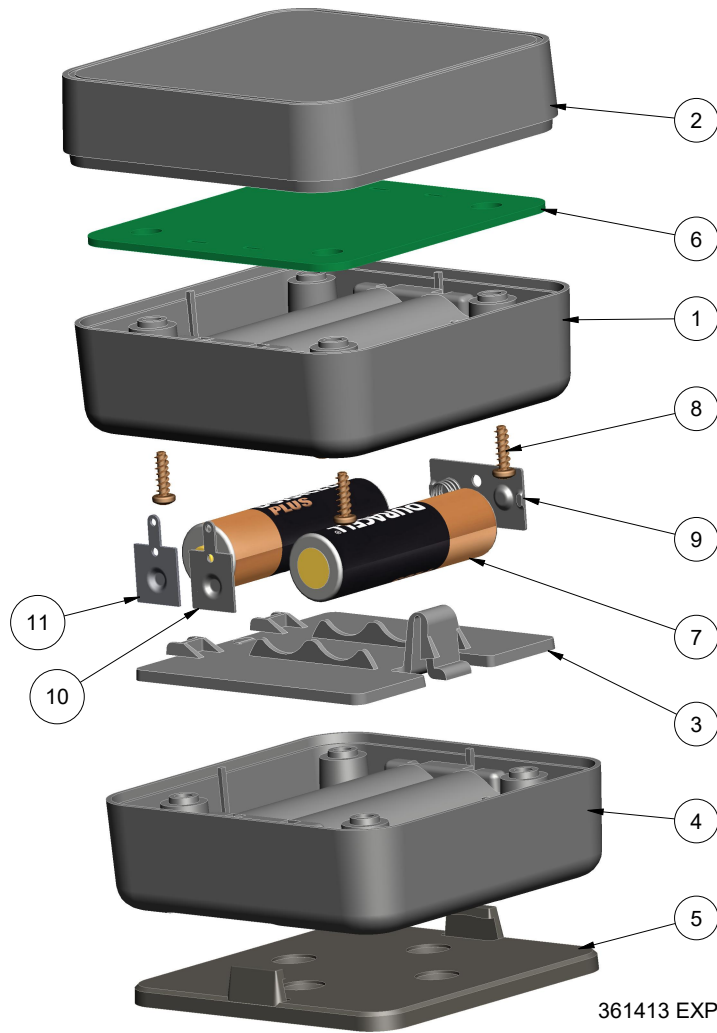
CNC CUTOUTS
PART DECORATING
CUSTOM COLOR AND MATERIAL
RF/EMI SHEILDING
CUSTOM TOOL INSERTS
CUSTOM ENCLOSURES AND DESIGN



NEW AGE
ENCLOSURES

DEVELOP THE FUTURE





361413 EXPLODED VIEW
SCALE 0.660

R E V I S I O N					
REV.	DRAWN BY	ECO No	DESCRIPTION	DATE	APPROVE
A	M BOYER		PRELIMINARY RELEASE	2018-Oct-25	D.C.
B	M BOYER		REVISE TITLE	2018-Nov-15	D.C.
C	M BOYER		UPDATE MODEL PER REVIEW FEEDBACK	2019-Feb-25	D.C.
D	M BOYER		REVISE PER FEEDBACK MEETING	2019-Apr-18	D.C.
E	M BOYER		REVISE PER FA DESIGN REVIEW	2019-Jun-26	

NOTES: UNLESS OTHERWISE SPECIFIED

- CORNERS DRAWN SHARP TO BE R.005 MAXIMUM.
- EXTERIOR SURFACE TEXTURE TO BE LIGHT EDM FINISH, EQUIVALENT TO MT-11010. APPEARANCE AND DEPTH OF TEXTURE VARIES OVER TIME DUE TO WEAR.
- INTERIOR SURFACE TEXTURE TO BE: AS MOLDED.
- ALL INSIDE RADII .010R. UNLESS OTHERWISE SPECIFIED.
- ALL EXTERNAL DIMENSIONS AFFECTED BY THE DRAFT APPLY AT THE LARGE END OF THE FEATURE, AND ALL INTERNAL FEATURES AFFECTED BY THE DRAFT APPLY AT THE SMALL END OF THE FEATURE UNLESS OTHERWISE SPECIFIED.
- 1 DEGREE DRAFT IN THE DIRECTION OF PULL IS PERMISSIBLE UNLESS OTHERWISE SPECIFIED.
- MATERIAL / COLOR: ABS PLASTIC IS STANDARD IN BLACK OR WHITE. CUSTOM MATERIALS AND COLORS ARE AVAILABLE UPON REQUEST FOR QUOTE.
- PCB SIZES ARE RECOMMENDATIONS ONLY. FINAL SIZES AND VERIFICATION OF ITS FIT ARE THE SOLE RESPONSIBILITY OF EACH OWNER.
- ASSEMBLY SCREWS FOR THE ENCLOSURE INCLUDED.
- THIS DRAWING IS BASED ON A SOLID MODEL, AND IS FURTHER DEFINED BY THE SOLID MODEL FILE.
- ALLOWABLE FLASH: 0.005 MAX.
- ALL EJECTOR PIN MARKS TO BE WITHIN 0.010" OF FLUSH, PROTRUDING OR BELOW FLUSH.
- TRIM GATE WITHIN 0.015" OF FLUSH.

303015(x) CONFIGURATIONS		
	-Blank	-K
303015 COVER	1	1
303015 BATTERY BASE	1	
303015 BATTERY WALL BASE		1
303015 BATTERY HATCH	1	
303015 WALL PLATE		1
303015 PCB	1*	1*
#4 HiLo SCREW .375"	4	4

* = NOT INCLUDED (CUSTOMER SUPPLIED)

ITEM	FILE NAME	DESCRIPTION	MATERIAL	COLOR	QTY.
11	AA-SINGL-CONTACT-POS	ACC-AAPOS-5223	SPRING STEEL	SOLD SEPARATELY	1
10	AA-SINGL-CONTACT-NEG	ACC-AANEG-5201	SPRING STEEL	SOLD SEPARATELY	1
9	AA-DBL-CONTACT	ACC-AADBL-5212	SPRING STEEL	SOLD SEPARATELY	1
8	SCREW_HILO-NO4X375	#4 HiLo x .375" SCREW	ZINK PLATED	INCLUDED	4
7	BATTERY_AA	"AA" SIZE BATTERY	REFERENCE	CUSTOMER SUPPLIED	2
6	303015-PCB_062	361413 .062" PCB - REFERENCE	.062" THICK	CUSTOMER SUPPLIED	1
5	303015-WALLPLATE-FLAT	303015 WALL PLATE - STANDARD	ABS	BLACK or WHITE	1
4	303015-WALLBASE	361413 WALL BASE - STANDARD	ABS	BLACK or WHITE	1
3	303015-HATCH	361413 HATCH - STANDARD	ABS	BLACK or WHITE	1
2	303015-COVER	361413 COVER - STANDARD	ABS	BLACK or WHITE	1
1	303015-BASE	361413 BATTERY BASE - STANDARD	ABS	BLACK or WHITE	1

BILL OF MATERIALS

THIRD ANGLE PROJECTION
DO NOT SCALE DRAWING

TOLERANCES: UNLESS OTHERWISE SPECIFIED
DIMENSIONS ARE IN U.S. INCHES.
X.XX = .015 X.XXXX = .001
X.XXX = .010 X.X" = 1°

NEW AGE ENCLOSURES
2240 South Thornburg Street Santa Maria, CA. 93455
ph. (805) 595-1310 fax (805) 595-1024
www.newageenclosures.com

NOTICE: THE INFORMATION AND DATA CONTAINED HEREIN IS CONSIDERED PROPRIETARY TO ALLTEC INTEGRATED MFG INC & SHALL REMAIN THE EXCLUSIVE PROPERTY OF ALLTEC INTEGRATED MFG INC. THE HOLDER WILL ASSUME CUSTODY AND CONTROL THAT THIS DOCUMENT WILL NOT BE COPIED, REPRODUCED, OR DISCLOSED WITHOUT THE EXPRESS WRITTEN CONSENT OF ALLTEC INTEGRATED MFG INC. NOT CONSTITUTE A GRANT TO MANUFACTURE ANY ITEMS.
© 2019

NEW AGE ENCLOSURES
Customer's Part No: 303015

APPROVAL	BY	DATE
CHECK		
ENG.		
SCALE	AS NOTED	
DRAWN BY	2018-Oct-25	
M BOYER		

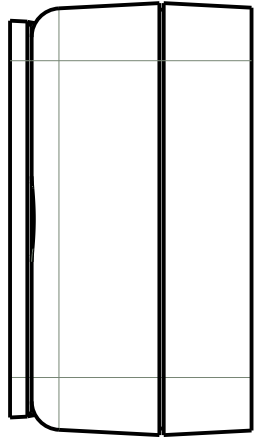
2 AA CUBE - STANDARD
SXX-303015X-XXX

SIZE	DRAWING NAME	SHEET	REV.DOC
A	303015_RE	1 OF 9	E

303015 ASSEMBLY

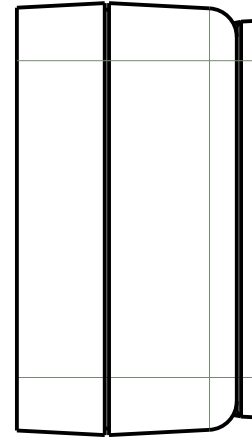
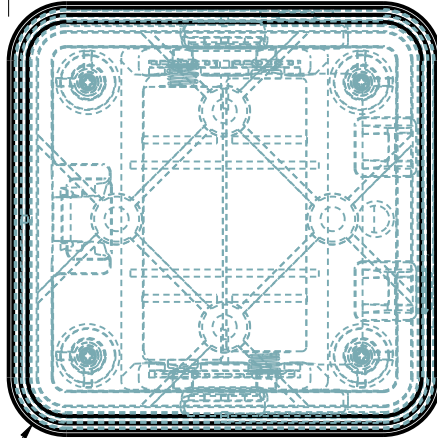


3.000 □
[76,2]

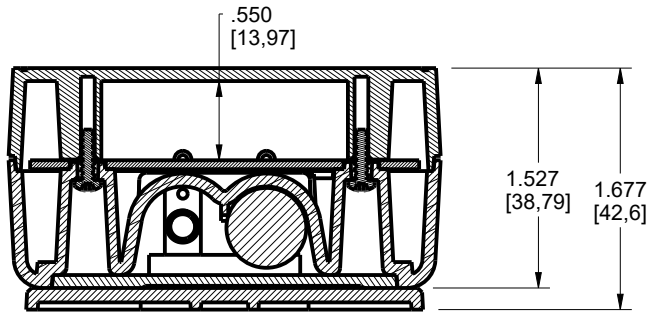
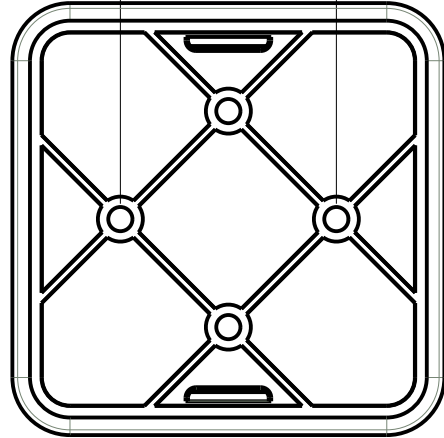


SCALE 0.750

R.400
[10,16]



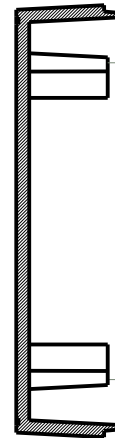
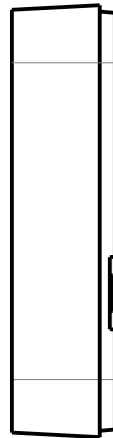
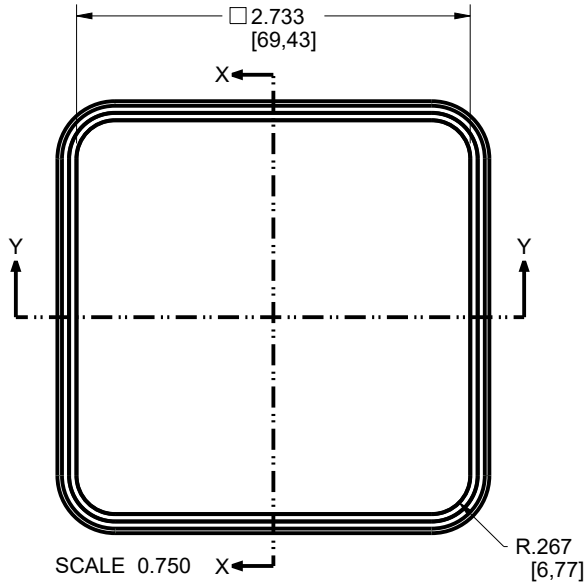
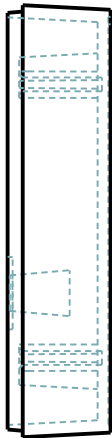
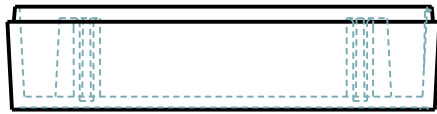
1.500
[38,1]



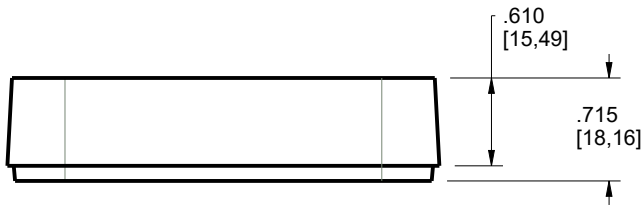
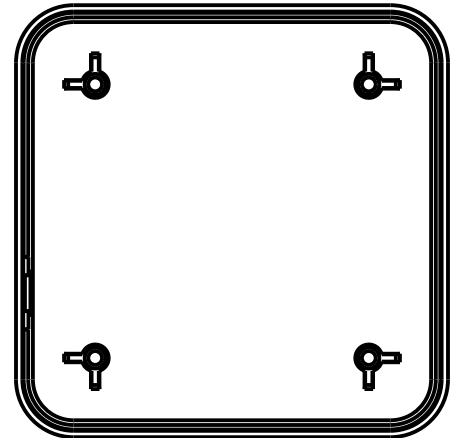
SECTION S-S

TOLERANCES: UNLESS OTHERWISE SPECIFIED DIMENSIONS ARE IN U.S. INCHES. X.XX = .015 X.XXXX = .001 X.XXX = .010 X.X° = 1°		NEW AGE ENCLOSURES		
Customer's Part No: 303015		2240 South Thornburg Street Santa Maria, CA. 93455 ph. (805) 595-1310 fax (805) 595-1024 www.newageenclosures.com		
APPROVAL	BY	DATE	2 AA CUBE - STANDARD SXX-303015X-XXX	
CHECK				
ENG.				
SCALE	AS NOTED			
DRAWN BY	SIZE	DRAWING NAME	SHEET	REV.DOC
M BOYER	A	303015_RE	2 OF 9	E

303015 COVER



SECTION X-X



SECTION Y-Y

TOLERANCES: UNLESS OTHERWISE SPECIFIED
DIMENSIONS ARE IN U.S. INCHES.
X.XX = .015 X.XXXX = .001
X.XXX = .010 X.X° = 1°

NEW AGE ENCLOSURES
Customer's Part No: 303015

APPROVAL	BY	DATE
CHECK		
ENG.		
SCALE	AS NOTED	

DRAWN BY	2018-Oct-25
M BOYER	

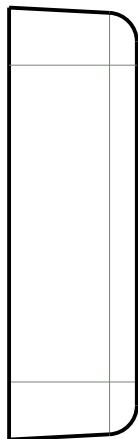
NEW AGE ENCLOSURES

2240 South Thornburg Street Santa Maria, CA. 93455
ph. (805) 595-1310 fax (805) 595-1024
www.newageenclosures.com

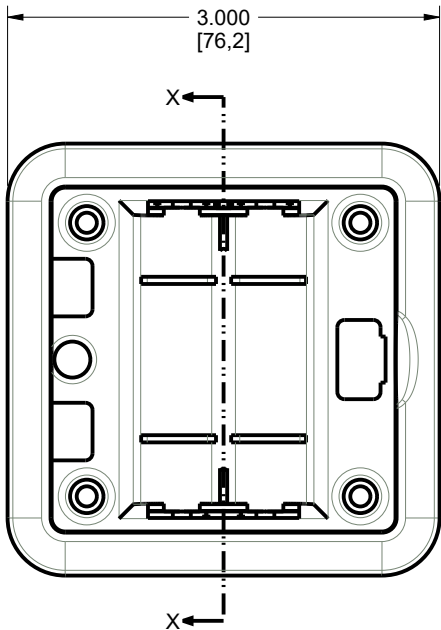
2 AA CUBE - STANDARD
SXX-303015X-XXX

SIZE	DRAWING NAME	SHEET	REV.DOC
A	303015_RE	3 OF 9	E

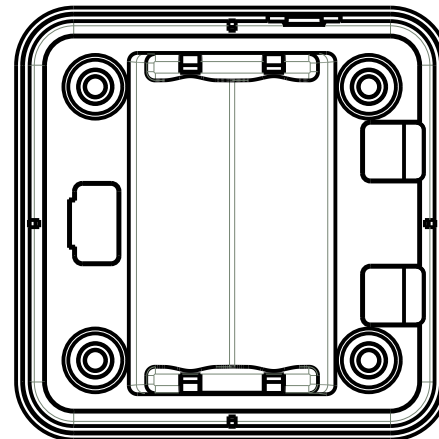
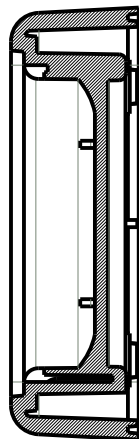
303015 BASE



SCALE 0.750



SECTION X-X



OPEN SLOTS TO RECEIVE WALL PLATE
AVAILABLE ON 303015K CONFIGURATION ONLY



TOLERANCES: UNLESS OTHERWISE SPECIFIED
DIMENSIONS ARE IN U.S. INCHES.
X.XX = .015 X.XXXX = .001
X.XXX = .010 X.X° = 1°

NEW AGE ENCLOSURES

Customer's Part No: 303015

APPROVAL BY DATE

CHECK

ENG.

SCALE AS NOTED

DRAWN BY M BOYER 2018-Oct-25

NEW AGE ENCLOSURES

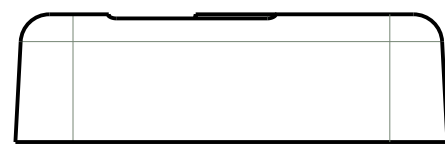
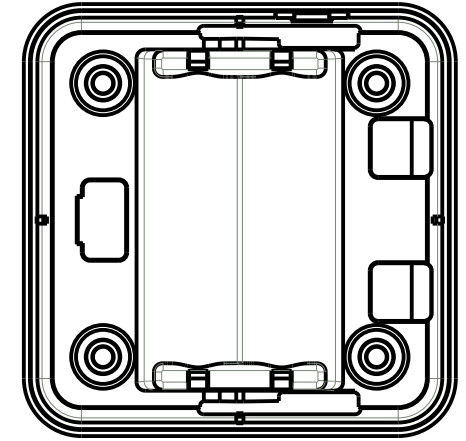
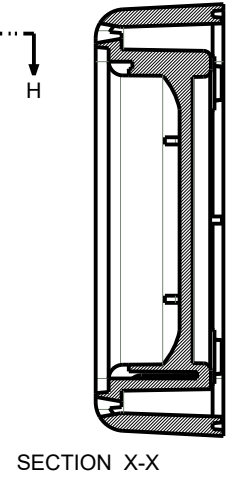
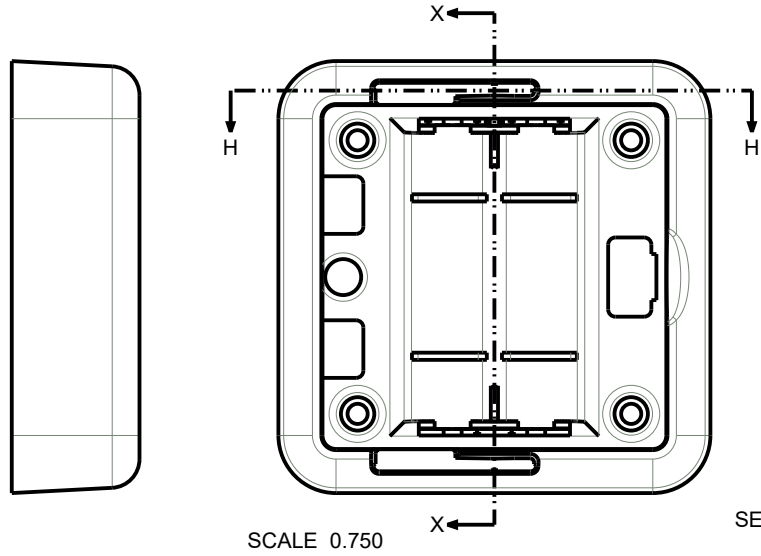
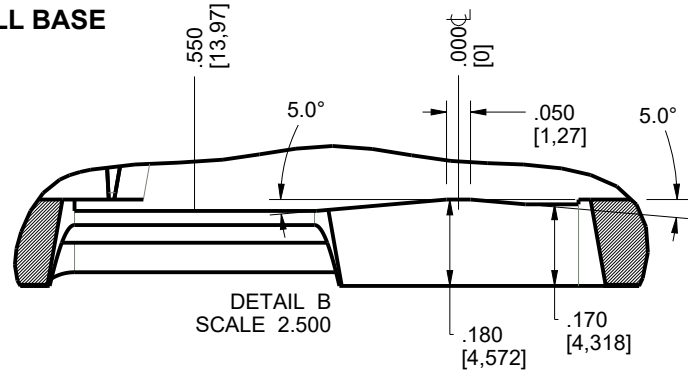
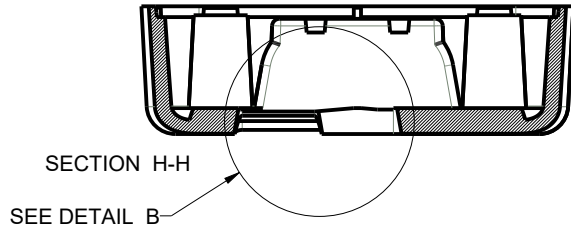
2240 South Thornburg Street Santa Maria, CA. 93455
ph. (805) 595-1310 fax (805) 595-1024
www.newageenclosures.com

2 AA CUBE - STANDARD
SXX-303015X-XXX

SIZE A DRAWING NAME 303015_RE

SHEET 4 OF 9 REV.DOC E

303015 WALL BASE



TOLERANCES: UNLESS OTHERWISE SPECIFIED
DIMENSIONS ARE IN U.S. INCHES.
X.XX = .015 X.XXXX = .001
X.XXX = .010 X.X° = 1°

NEW AGE ENCLOSURES
Customer's Part No: 303015

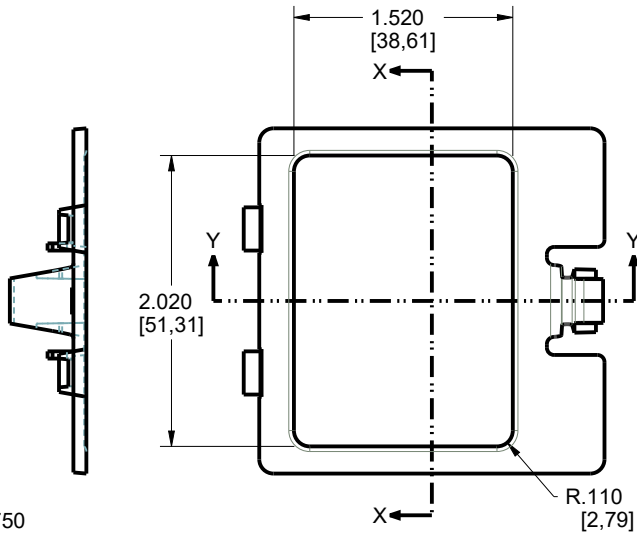
APPROVAL	BY	DATE
CHECK		
ENG.		
SCALE	AS NOTED	
DRAWN BY	2018-Oct-25	
M BOYER		

NEW AGE ENCLOSURES
2240 South Thornburg Street Santa Maria, CA. 93455
ph. (805) 595-1310 fax (805) 595-1024
www.newageenclosures.com

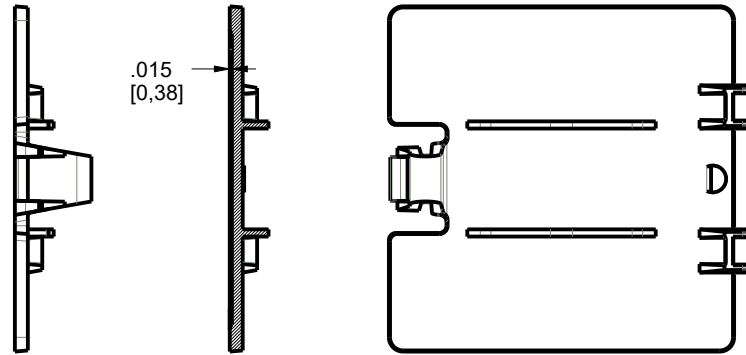
2 AA CUBE - STANDARD
SXX-303015X-XXX

SIZE	DRAWING NAME	SHEET	REV.DOC
A	303015_RE	5 OF 9	E

303015 HATCH



SCALE 0.750



SECTION X-X



SECTION Y-Y

TOLERANCES: UNLESS OTHERWISE SPECIFIED
DIMENSIONS ARE IN U.S. INCHES.
X.XX = .015 X.XXXX = .001
X.XXX = .010 X.X° = 1°

NEW AGE ENCLOSURES
Customer's Part No: 303015

APPROVAL	BY	DATE
CHECK		
ENG.		
SCALE	AS NOTED	

DRAWN BY	2018-Oct-25
M BOYER	

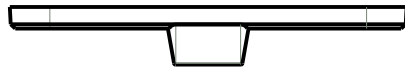
NEW AGE ENCLOSURES
2240 South Thornburg Street Santa Maria, CA. 93455
ph. (805) 595-1310 fax (805) 595-1024
www.newageenclosures.com

2 AA CUBE - STANDARD
SXX-303015X-XXX

SIZE	DRAWING NAME	SHEET	REV.DOC
A	303015_RE	6 OF 9	E

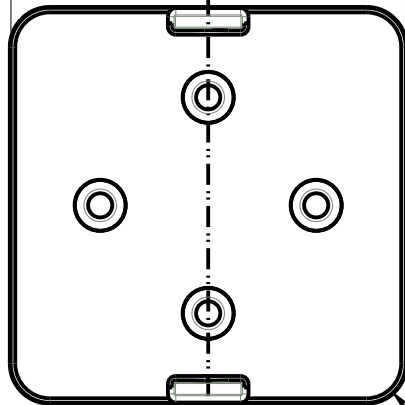
SIZE	DRAWING NAME	SHEET	REV.DOC
A	303015_RE	6 OF 9	E

303015 WALL PLATE



2.740
[69,6]

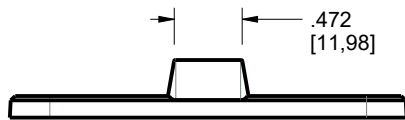
X



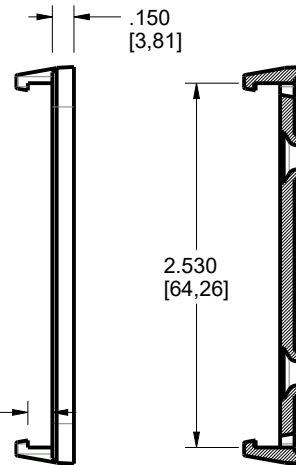
R.270
[6,86]

SCALE 0.750

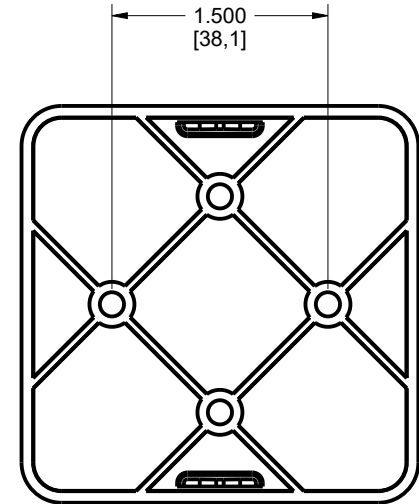
X



.472
[11,98]



SECTION X-X



1.500
[38,1]

TOLERANCES: UNLESS OTHERWISE SPECIFIED
DIMENSIONS ARE IN U.S. INCHES.
X.XX = .015 X.XXXX = .001
X.XXX = .010 X.X° = 1°

NEW AGE ENCLOSURES
2240 South Thornburg Street Santa Maria, CA. 93455
ph. (805) 595-1310 fax (805) 595-1024

Customer's Part No: 303015

www.newageenclosures.com

APPROVAL	BY	DATE
CHECK		
ENG.		
SCALE	AS NOTED	

2 AA CUBE - STANDARD
SXX-303015X-XXX

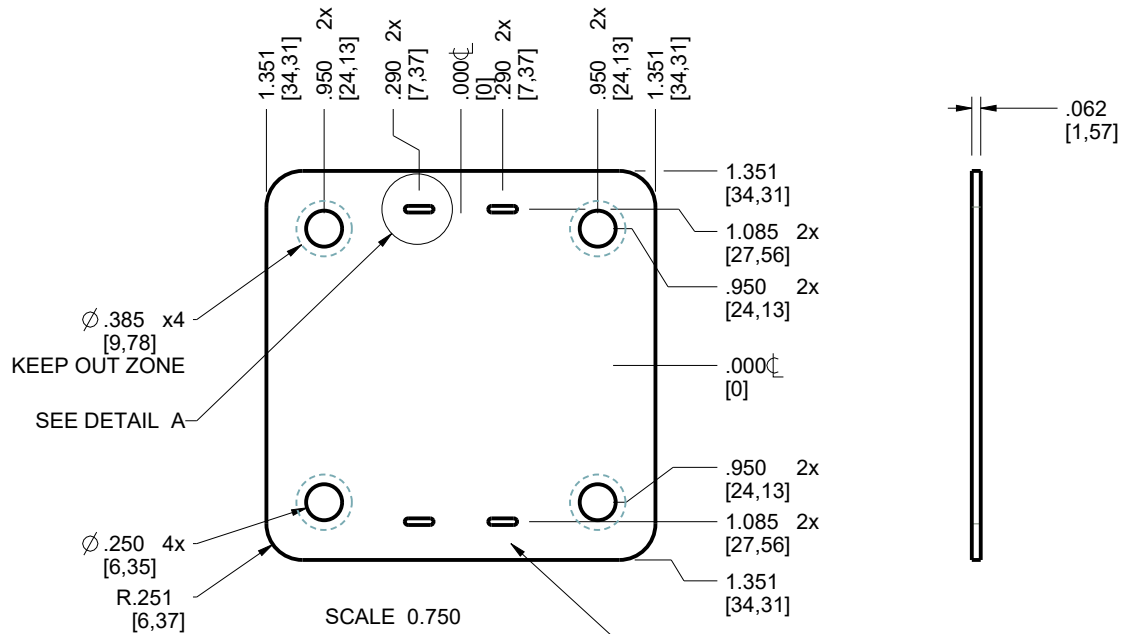
DRAWN BY
M BOYER 2018-Oct-25

SIZE A DRAWING NAME
303015_RE

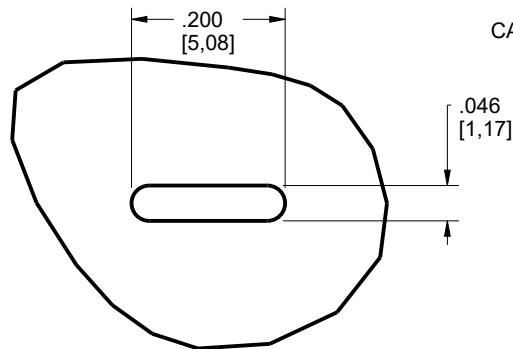
SHEET 7 OF 9 REV.DOC E

303015 PCB - CUSTOMER SUPPLIED

PCB SIZES ARE RECOMMENDATIONS ONLY. FINAL SIZES AND VERIFICATION OF ITS FIT ARE THE SOLE RESPONSIBILITY OF THE OEM.



DEPENDING ON HOW THE CONTACTS ARE USED, IN SERIES OR PARALLEL, THE BOARD WILL NEED TWO OR FOUR SOLDER HOLES. THE BATTERY CONTACTS CAN ALSO BE BENT 90 DEGREES AND WIRED TO THE BOARD INSTEAD OF DIRECTLY SOLDERED IN THESE LOCATIONS.



DETAIL A
SCALE 4.000

TOLERANCES: UNLESS OTHERWISE SPECIFIED DIMENSIONS ARE IN U.S. INCHES.
 X.XX = .015 X.XXXX = .001
 X.XXX = .010 X.X° = 1°

NEW AGE ENCLOSURES

Customer's Part No: 303015

APPROVAL BY DATE

CHECK

ENG.

SCALE AS NOTED

DRAWN BY M BOYER 2018-Oct-25

NEW AGE ENCLOSURES

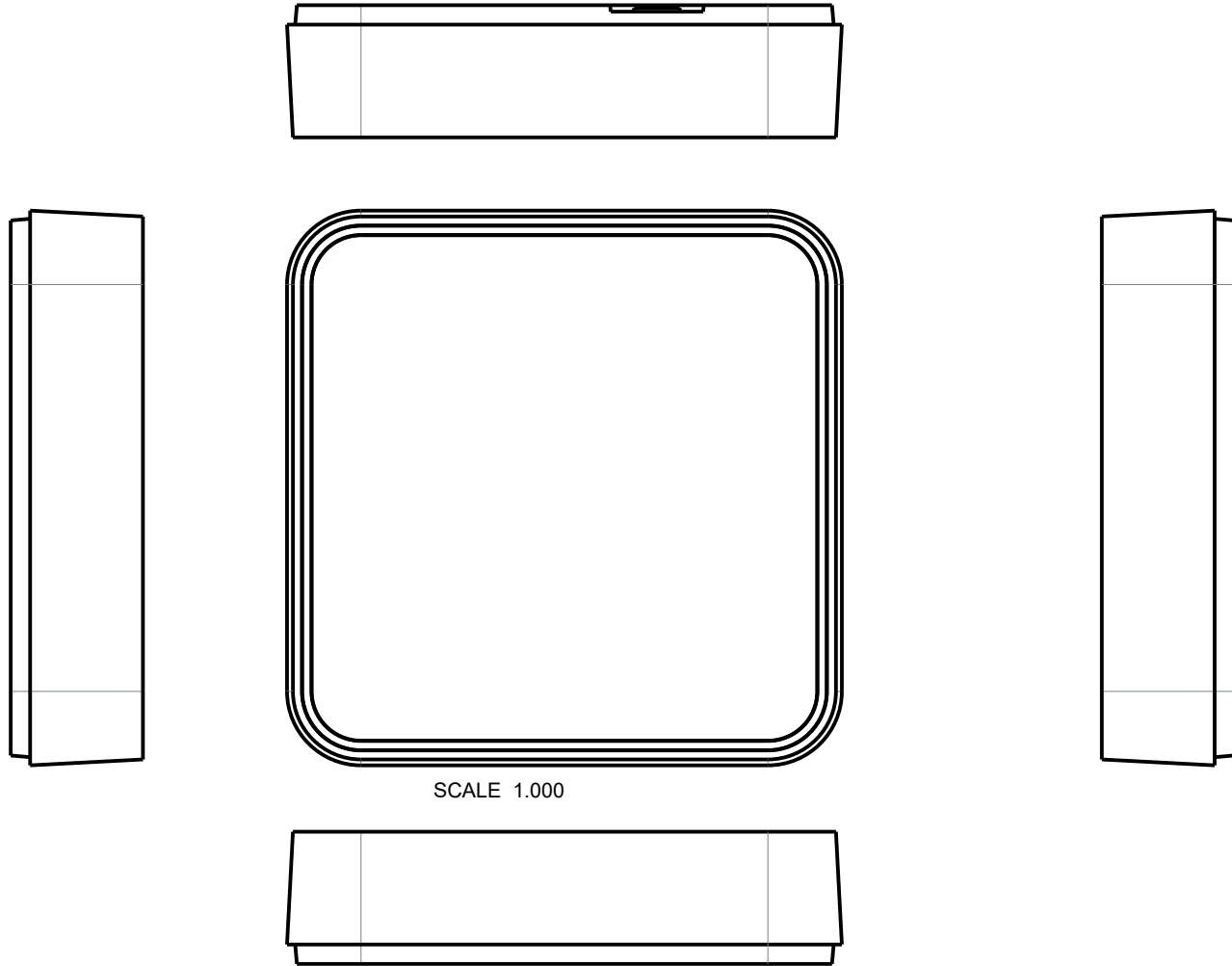
2240 South Thornburg Street Santa Maria, CA. 93455
 ph. (805) 595-1310 fax (805) 595-1024
www.newageenclosures.com

**2 AA CUBE - STANDARD
 SXX-303015X-XXX**

SIZE A DRAWING NAME 303015_RE SHEET 8 OF 9 REV.DOC E

303015 - 2nd OPERATION DETAILS

NEW AGE ENCLOSURES DELIVERS YOUR ENCLOSURE MARKET-READY WITH IN-HOUSE CNC MACHINING, PAD PRINTING, ASSEMBLY, AND FULFILLMENT. ALL SURFACES AND AREAS ARE AVAILABLE FOR CNC ALTERATION BY NEW AGE ENCLOSURES CALL (805) 595-1310 FOR PRICING AND SCHEDULE. THE INSIDE RADIUS OF ANY MACHINED FEATURES SHOULD BE NO SMALLER THAN .031"



SCALE 1.000

TOLERANCES: UNLESS OTHERWISE SPECIFIED DIMENSIONS ARE IN U.S. INCHES.
 X.XX = .015 X.XXXX = .001
 X.XXX = .010 X.X° = 1°

NEW AGE ENCLOSURES

Customer's Part No: 303015

NEW AGE ENCLOSURES

2240 South Thornburg Street Santa Maria, CA. 93455
 ph. (805) 595-1310 fax (805) 595-1024

www.newageenclosures.com

**2 AA CUBE - STANDARD
 SXX-303015X-XXX**

SXX-303015X-XXX COVER - ABS, BLACK

STEP NO	DESCRIPTION	CUTTER	FIXTURE	ORIENTATION	PROGRAM
1-C-C1	-	T2 = .062" EM	-	-	-
2-C-C2	-	T2 = .062" EM	-	-	-

APPROVAL	BY	DATE
CHECK		
ENG.		
SCALE	AS NOTED	
DRAWN BY	M BOYER	
	2018-Oct-25	

SIZE	DRAWING NAME	SHEET	REV.DOC
A	303015_RE	9 OF 9	E

X-ON Electronics

Largest Supplier of Electrical and Electronic Components

Click to view similar products for [Battery Enclosures](#) category:

Click to view products by [New Age](#) manufacturer:

Other Similar products are found below :

[67257-01](#) [2508010](#) [19400201](#) [CLP.3](#) [HH-3440-TS](#) [MB 12225](#) [MF-001DG](#) [FP 10674](#) [FP 22046](#) [18200201](#) [TF 28037](#) [UH-3](#) [MRS 28541](#)
[BHM-4A3](#) [BHF-4A3](#) [BHF-3A3](#) [FI-17 GY](#) [72002001](#) [72002101](#) [72002201](#) [72002301](#) [8120843](#) [8120845](#) [P33070300](#) [35111005](#) [35111016](#)
[AH NEW ALU HINGE](#) [FI-17/BK](#) [MRS 28540](#) [19400101](#) [1518020](#) [8120841](#) [DS 10581](#) [CLY.9](#) [MB 10674](#) [8120840](#) [8120842](#) [8120844](#)
[8120846](#) [FP 12017](#) [22010000](#) [CL1 N](#) [ATBATTERY-CASE-2AAA](#) [ATBATTERY-CASE-4AAA](#) [HH-3442-C](#) [HH-3450-C](#) [HH-3451-TL](#)
[BX0123](#) [MB 20064 SET](#) [G900G-CLIP](#)