

From Off-The-Shelf to Market-Ready© New Age Enclosures is your Single Source Solution.
Let us quote modifying our Stock Enclosures to meet your end-use.
visit newageenclosures.com/services or call 855-4NA-ENCL today.

CNC CUTOUTS
PART DECORATING
CUSTOM COLOR AND MATERIAL
RF/EMI SHEILDING
CUSTOM TOOL INSERTS
CUSTOM ENCLOSURES AND DESIGN



NEW AGE
ENCLOSURES

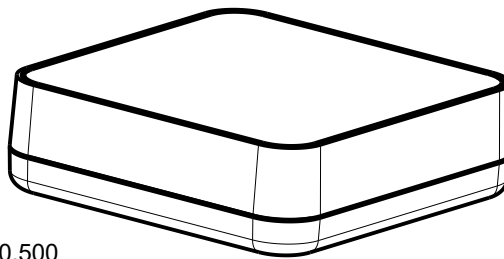
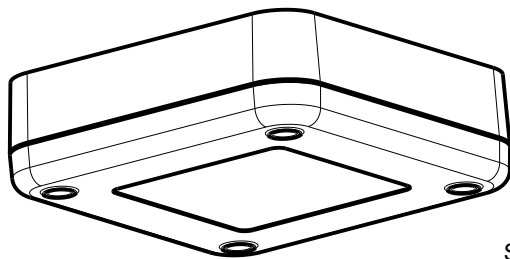
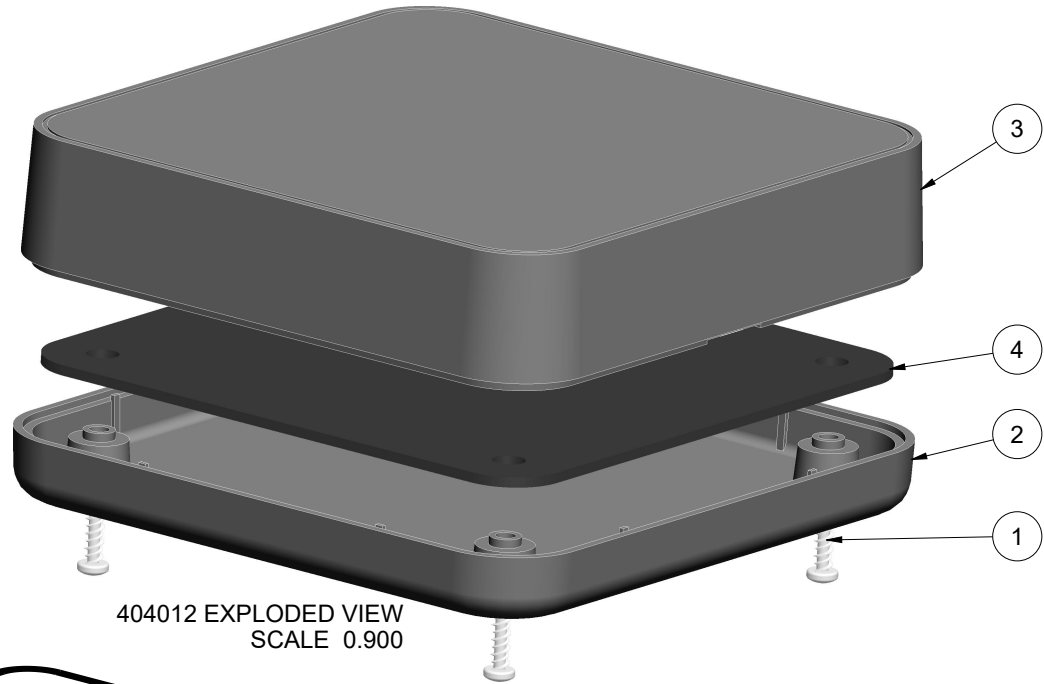
DEVELOP THE FUTURE



NOTES: UNLESS OTHERWISE SPECIFIED

1. CORNERS DRAWN SHARP TO BE R.005 MAXIMUM.
2. EXTERIOR SURFACE TEXTURE TO BE LIGHT EDM FINISH. EQUIVALENT TO MT-11010.
3. INTERIOR SURFACE TEXTURE TO BE: NONE.
4. ALL INSIDE RADII .010R. UNLESS OTHERWISE SPECIFIED.
5. ALL EXTERNAL DIMENSIONS AFFECTED BY THE DRAFT APPLY AT THE LARGE END OF THE FEATURE, AND ALL INTERNAL FEATURES AFFECTED BY THE DRAFT APPLY AT THE SMALL END OF THE FEATURE UNLESS OTHERWISE SPECIFIED.
6. 1 DEGREE DRAFT IN THE DIRECTION OF PULL IS PERMISSIBLE UNLESS OTHERWISE SPECIFIED.
7. MATERIAL / COLOR: ABS PLASTIC IS STANDARD IN BLACK OR WHITE. CUSTOM MATERIALS AND COLORS ARE AVAILABLE UPON REQUEST FOR QUOTE. ALTERNATE RESINS HAVE DIFFERENT SHRINK RATES, AND WILL EFFECT DIMENSIONS.
8. PCB SIZES ARE RECOMMENDATIONS ONLY. FINAL SIZES AND VERIFICATION OF ITS FIT ARE THE SOLE RESPONSIBILITY OF EACH CUSTOMER.
9. ASSEMBLY SCREWS FOR THE ENCLOSURE INCLUDED.
10. THIS DRAWING IS BASED ON A SOLID MODEL, AND IS FURTHER DEFINED BY THE SOLID MODEL FILE.
11. ALLOWABLE FLASH: 0.015 MAX.
12. ALL EJECTOR PIN MARKS TO BE WITHIN 0.015" OF FLUSH, PROTRUDING OR BELOW FLUSH.
13. TRIM GATE WITHIN 0.030" OF FLUSH.

| R E V I S I O N | | | | | |
|-----------------|----------|--------|--------------------------------------|-------------|---------|
| REV. | DRAWN BY | ECO No | DESCRIPTION | DATE | APPROVE |
| A | M BOYER | JUSTIN | PRELIMINARY RELEASE | 2019-Jan-21 | D.C. |
| B | M BOYER | | REVISE TEXTURE | 2019-Jan-29 | D.C. |
| C | M BOYER | | REVISE PER DESIGN FEEDBACK | 2019-Feb-26 | D.C. |
| 1.0 | M BOYER | | UPDATE MODEL TO AS-BUILT AND RELEASE | 2019-Aug-08 | |



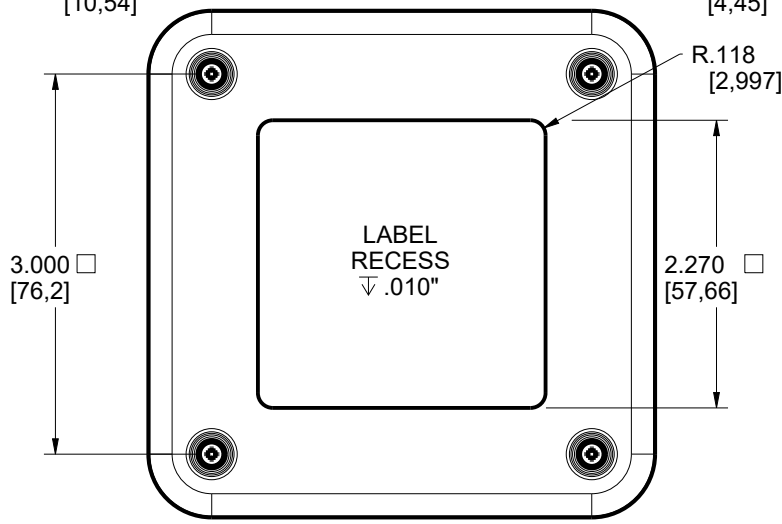
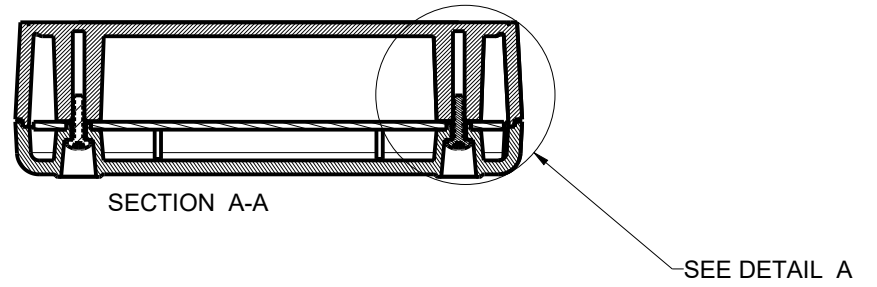
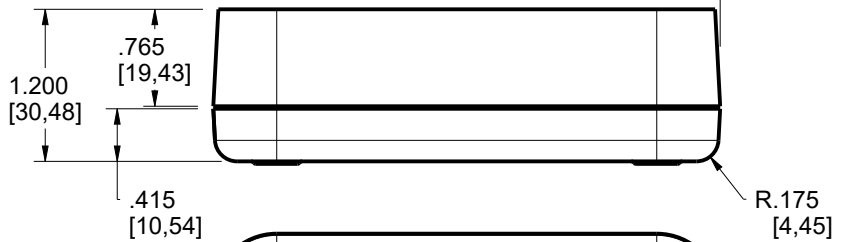
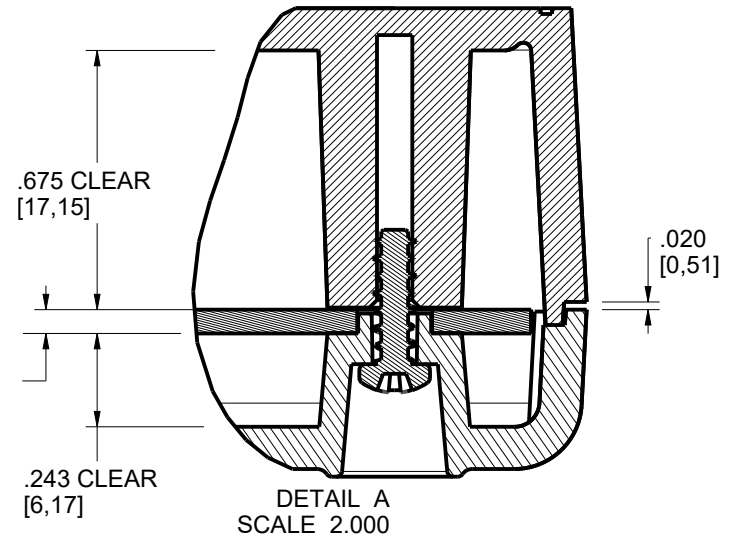
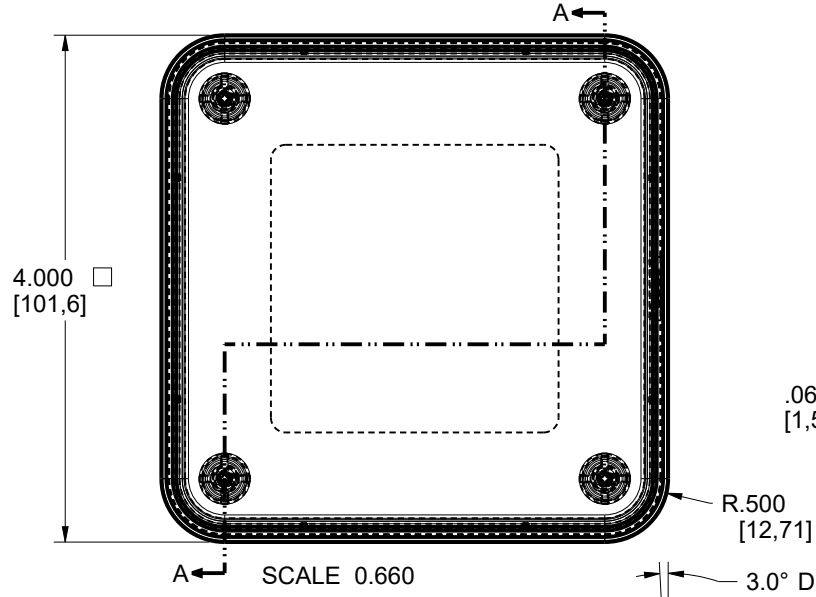
SCALE 0.500

| ITEM | FILE NAME | DESCRIPTION | MATERIAL | COLOR | QTY. |
|------|--------------------|-------------------------|-------------|-------------------|------|
| 4 | 404012-PCB_062 | 404012 PCB - REFERENCE | .062" THICK | CUSTOMER SUPPLIED | 1 |
| 3 | 404012-COVER | 404012 COVER - STANDARD | ABS | BLACK or WHITE | 1 |
| 2 | 404012-BASE | 404012 BASE - STANDARD | ABS | BLACK or WHITE | 1 |
| 1 | SCREW_HILO-N04X375 | #4 HILO x .375" SCREW | ZINK PLATED | 3/8" LONG | 4 |

BILL OF MATERIALS

| | | | | |
|---|---|--------------------------|--|-----------------|
| THIRD ANGLE PROJECTION DO NOT SCALE DRAWING | TOLERANCES: UNLESS OTHERWISE SPECIFIED DIMENSIONS ARE IN U.S. INCHES. X.XX = .015 X.XXXX = .001 X.XXX = .010 X.X" = 1° | | NEW AGE ENCLOSURES 2240 South Thornburg Street Santa Maria, CA. 93455 ph. (805) 595-1310 fax (805) 595-1024 www.newageenclosures.com | |
| | Customer's Part No: 404012 | | SENSOR CUBE - STANDARD SXX-404012-XXX | |
| APPROVAL CHECK ENG. SCALE | BY AS NOTED | DATE AS NOTED | DRAWN BY M BOYER | SIZE A |
| NOTICE: THE INFORMATION AND DATA CONTAINED HEREIN IS CONSIDERED PROPRIETARY TO ALLTEC INTEGRATED MFG INC & SHALL REMAIN THE EXCLUSIVE PROPERTY OF ALLTEC INTEGRATED MFG INC. THE HOLDER WILL ASSUME CUSTODY AND CONTROL THAT THIS DOCUMENT WILL NOT BE COPIED, REPRODUCED, OR DISCLOSED WITHOUT THE EXPRESS WRITTEN CONSENT OF ALLTEC INTEGRATED MFG INC. POSSESSION OF THIS DOCUMENT DOES NOT CONSTITUTE A GRANT TO MANUFACTURE ANY ITEMS. © 2019 | | DATE 2019-Jan-21 | DRAWING NAME 404012_CUBE_R1_0 | SHEET 1 OF 6 |
| | | | | REV.DOC 1.0 |

404012 ASSEMBLY



TOLERANCES: UNLESS OTHERWISE SPECIFIED
DIMENSIONS ARE IN U.S. INCHES.
X.XX = .015 X.XXXX = .001
X.XXX = .010 X.X° = 1°

NEW AGE ENCLOSURES
2240 South Thornburg Street Santa Maria, CA. 93455
ph. (805) 595-1310 fax (805) 595-1024
www.newageenclosures.com

Customer's Part No: 404012

| | | |
|----------|----------|------|
| APPROVAL | BY | DATE |
| CHECK | | |
| ENG. | | |
| SCALE | AS NOTED | |

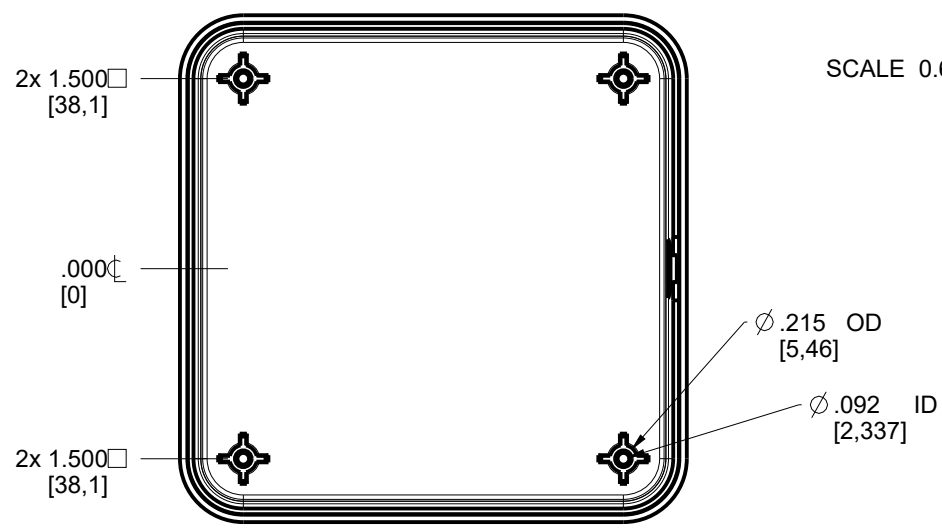
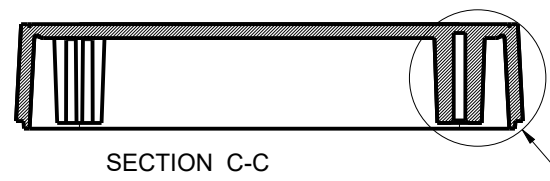
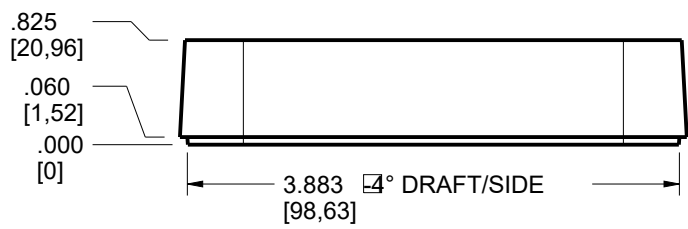
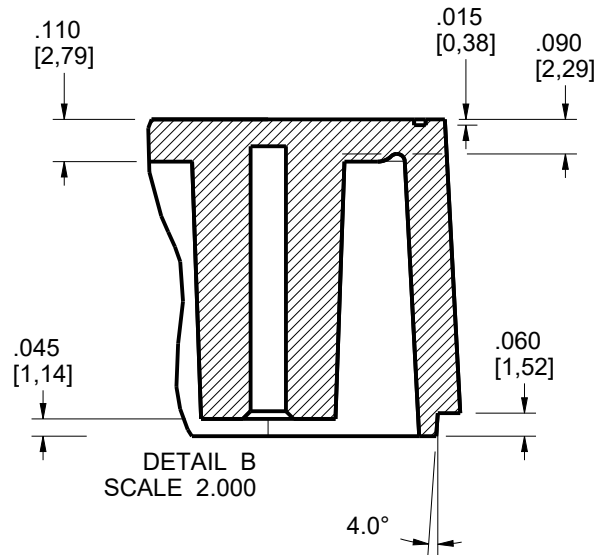
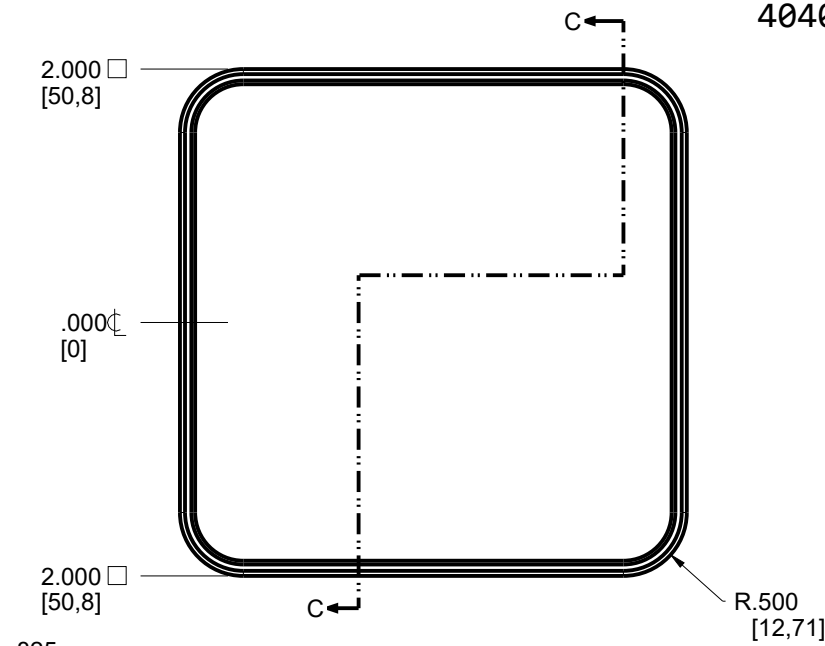
SENSOR CUBE - STANDARD
SXX-404012-XXX

DRAWN BY
M BOYER 2019-Jan-21

SIZE A DRAWING NAME
404012_CUBE_R1_0

SHEET 2 OF 6 REV.DOC 1.0

404012 COVER

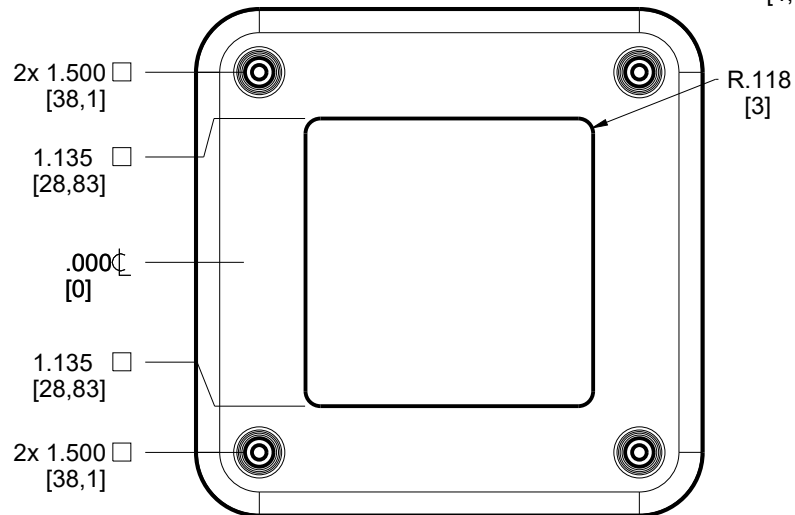
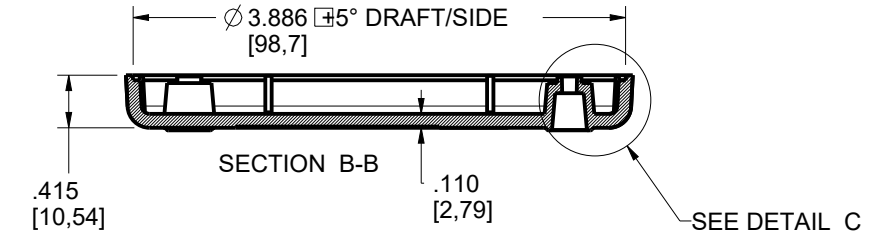
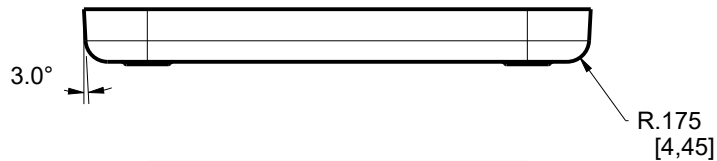
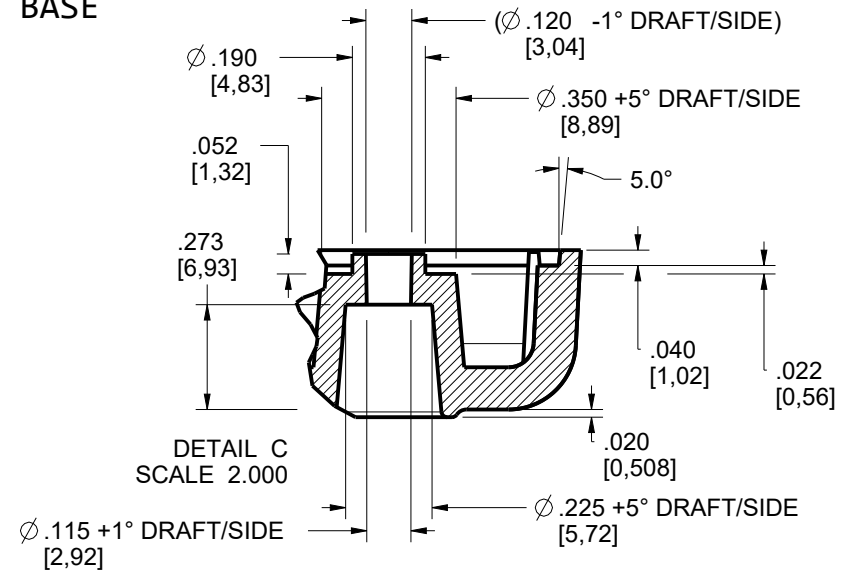
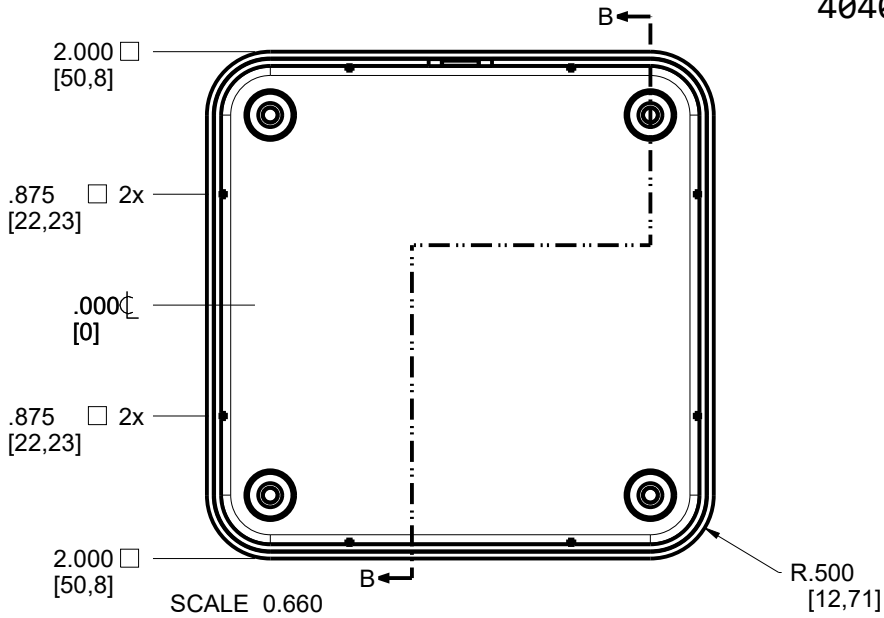


SCALE 0.660

SEE DETAIL B

| | | | |
|--|-------------|---|--|
| TOLERANCES: UNLESS OTHERWISE SPECIFIED DIMENSIONS ARE IN U.S. INCHES. X.XX = .015 X.XXXX = .001 X.XXX = .010 X.X° = 1° | | NEW AGE ENCLOSURES | |
| Customer's Part No: 404012 | | 2240 South Thornburg Street Santa Maria, CA. 93455 ph. (805) 595-1310 fax (805) 595-1024 www.newageenclosures.com | |
| APPROVAL | BY | DATE | SENSOR CUBE - STANDARD SXX-404012-XXX |
| CHECK | | | |
| ENG. | | | |
| SCALE | AS NOTED | | |
| DRAWN BY M BOYER | 2019-Jan-21 | SIZE A | DRAWING NAME 404012_CUBE_R1_0 |
| | | SHEET 3 OF 6 | REV.DOC 1.0 |

404012 BASE



TOLERANCES: UNLESS OTHERWISE SPECIFIED
 DIMENSIONS ARE IN U.S. INCHES.
 X.XX = .015 X.XXXX = .001
 X.XXX = .010 X.X° = 1°

NEW AGE ENCLOSURES
 2240 South Thornburg Street Santa Maria, CA. 93455
 ph. (805) 595-1310 fax (805) 595-1024
www.newageenclosures.com

NEW AGE ENCLOSURES
 Customer's Part No: 404012

| | | |
|----------|----------|------|
| APPROVAL | BY | DATE |
| CHECK | | |
| ENG. | | |
| SCALE | AS NOTED | |

SENSOR CUBE - STANDARD
SXX-404012-XXX

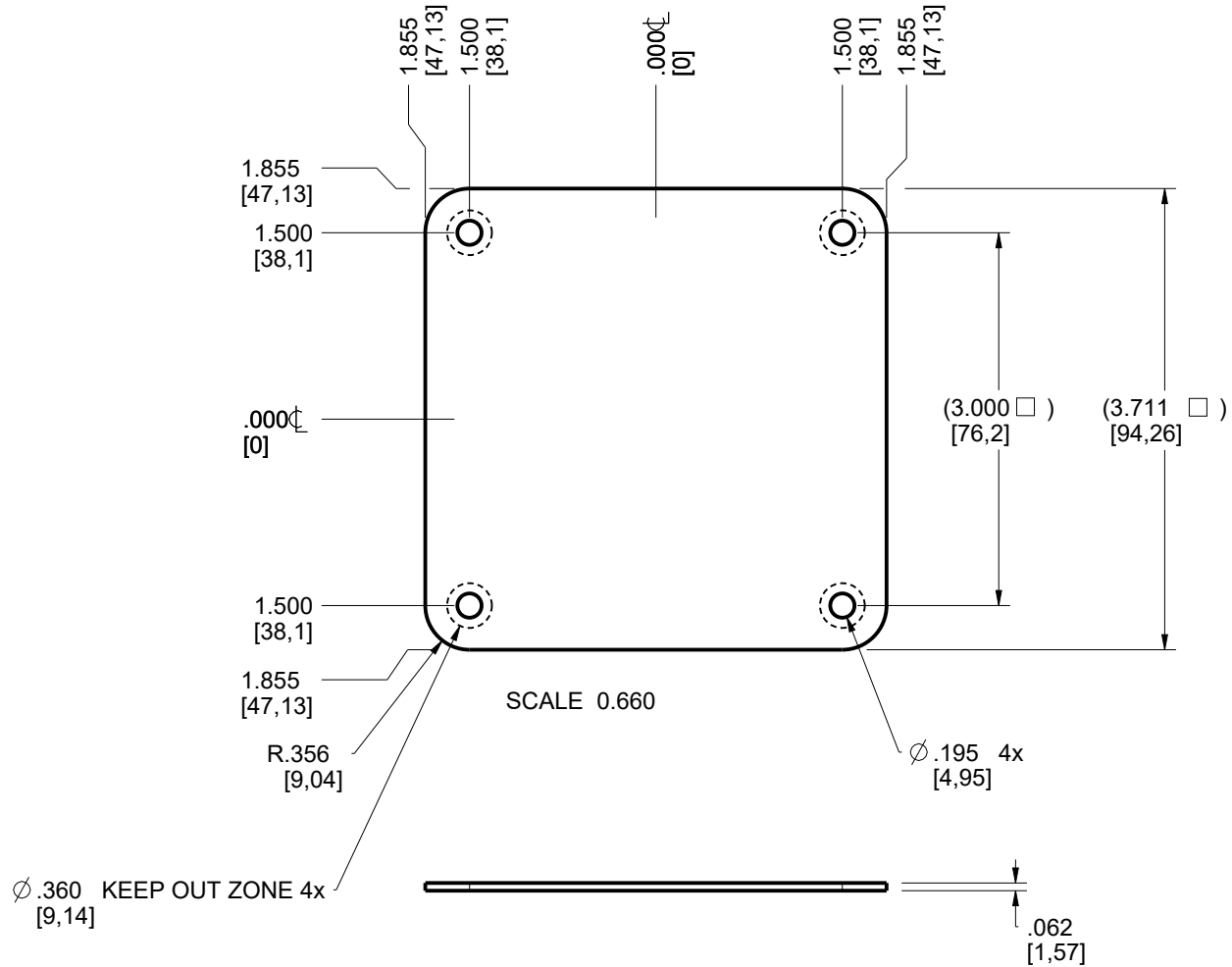
DRAWN BY
 M BOYER
 2019-Jan-21

SIZE
 A
 DRAWING NAME
 404012_CUBE_R1_0

SHEET
 4 OF 6
 REV.DOC
 1.0

404012 PCB .062" - CUSTOMER SUPPLIED

PCB SIZES ARE RECOMMENDATIONS ONLY. FINAL SIZES AND VERIFICATION OF ITS FIT ARE THE SOLE RESPONSIBILITY OF THE OEM.

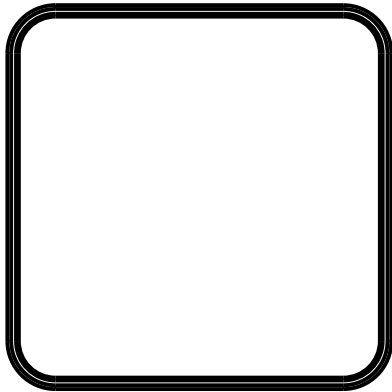


| | | | |
|---|-------------|---|------------------|
| TOLERANCES: UNLESS OTHERWISE SPECIFIED DIMENSIONS ARE IN U.S. INCHES. X.XX = .015 X.XXXX = .001 X.XXX = .010 X.X° = 1° | | NEW AGE ENCLOSURES | |
| NEW AGE ENCLOSURES | | 2240 South Thornburg Street Santa Maria, CA. 93455 ph. (805) 595-1310 fax (805) 595-1024 www.newageenclosures.com | |
| Customer's Part No: 404012 | | | |
| APPROVAL | BY | DATE | |
| CHECK | | | |
| ENG. | | | |
| SCALE | AS NOTED | | |
| DRAWN BY | 2019-Jan-21 | SIZE | DRAWING NAME |
| M BOYER | | A | 404012_CUBE_R1_0 |
| SHEET | REV.DOC | | |
| 5 OF 6 | 1.0 | | |

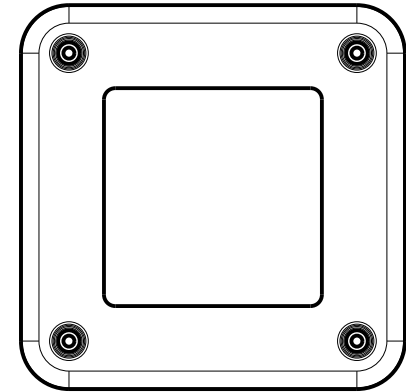
SENSOR CUBE - STANDARD
SXX-404012-XXX

404012 - 2nd OPERATION DETAILS

NEW AGE ENCLOSURES DELIVERS YOUR ENCLOSURE MARKET-READY WITH IN-HOUSE
CNC MACHINING, PAD PRINTING, ASSEMBLY, AND FULFILLMENT.
ALL SURFACES AND AREAS ARE AVAILABLE FOR CNC ALTERATION BY NEW AGE ENCLOSURES
CALL (805) 595-1310 FOR PRICING AND SCHEDULE.
THE INSIDE RADIUS OF ANY MACHINED FEATURES SHOULD BE NO SMALLER THAN .031"



404012 COVER
SCALE 0.500



404012 BASE
SCALE 0.500



| SXX-404012-XXX COVER - ABS, BLACK | | | | | |
|-----------------------------------|-------------|---------------|---------|-------------|---------|
| STEP NO | DESCRIPTION | CUTTER | FIXTURE | ORIENTATION | PROGRAM |
| 1-C-C1 | - | T2 = .062" EM | - | | o3201 |
| 2-C-C2 | - | T2 = .062" EM | - | | o3202 |

| SXX-404012-XXX COVER - ABS, BLACK | | | | |
|-----------------------------------|-------------|-----------|--------------------|------------|
| STEP NO | DESCRIPTION | INK COLOR | CLICHE DESCRIPTION | CLICHE No. |
| 3-C-P1 | PAD PRINT | | | CLXXXX R1 |

TOLERANCES: UNLESS OTHERWISE SPECIFIED
DIMENSIONS ARE IN U.S. INCHES.
X.XX = .015 X.XXXX = .001
X.XXX = .010 XX° = 1°

NEW AGE ENCLOSURES
Customer's Part No: 404012

| | | |
|----------|-------------|------|
| APPROVAL | BY | DATE |
| CHECK | | |
| ENG. | | |
| SCALE | AS NOTED | |
| DRAWN BY | 2019-Jan-21 | |
| M BOYER | | |

NEW AGE ENCLOSURES
2240 South Thornburg Street Santa Maria, CA. 93455
ph. (805) 595-1310 fax (805) 595-1024
www.newageenclosures.com

| | | | |
|-------------------------------|------------------|--------|---------|
| SENSOR CUBE - STANDARD | | | |
| SXX-404012-XXX | | | |
| SIZE | DRAWING NAME | SHEET | REV.DOC |
| A | 404012_CUBE_R1_0 | 6 OF 6 | 1.0 |

X-ON Electronics

Largest Supplier of Electrical and Electronic Components

Click to view similar products for [Enclosures, Boxes & Cases](#) *category:*

Click to view products by [New Age](#) *manufacturer:*

Other Similar products are found below :

[585-R-WH-PK](#) [M-10-PLATED](#) [60221-01](#) [60566-01-000](#) [HPL-9VB BATT DOOR](#) [M18-PLTD](#) [M-21-PLATED](#) [63310-01-000](#) [6711GSKT](#)
[71884-29-028](#) [LH45-100 Black](#) [72868-510-000](#) [CNS-0000 Black](#) [72883-510-000](#) [CNS-0101 Black](#) [72906-510-000](#) [CNS-0407 Black](#) [73092-](#)
[510-000](#) [CNM-0101 Black](#) [73105-510-000](#) [CNL-0101 Black](#) [73108-510-000](#) [CNL-0303 Black](#) [73395-510-039](#) [CNS-0006 Bone](#) [74257-510-000](#)
[CNL-0004](#) [MDC-1183-PLAIN-ALUM](#) [MDC-1183-PTD](#) [MDC-13104-PTD](#) [MDC-321-PTD](#) [MDC-973-PTD](#) [76](#) [77153-01-028](#) [FLX6030](#)
[83535-01-508](#) [90026-501-000](#) [PS36-200](#) [116-508](#) [120-407](#) [120-910](#) [127-908](#) [130-008](#) [1301170079](#) [1322GSKTEP](#) [1325GSKT3](#) [138-PLAIN](#)
[1434-1210](#) [EAS-500 \(BLACK ANO\)](#) [1804RP-RB-PK](#) [190-005](#) [2202307](#) [KAB3321 BLACK](#) [KAB3421](#) [2697466](#) [S52213](#) [2901123](#) [2901699](#)
[A0645271](#) [A20P20](#) [2106-IR](#)