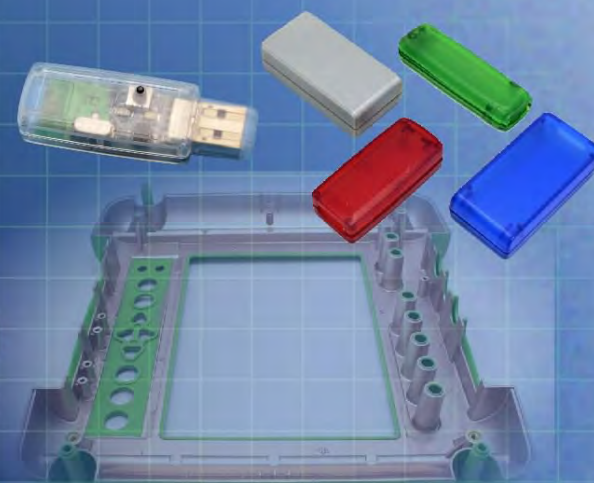
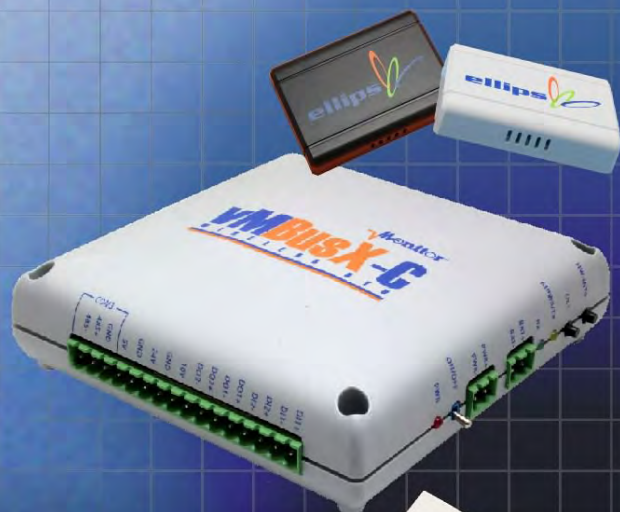


Ordering a market-ready enclosure® is made fast and affordable with our complete in-house capabilities. New Age provides machined openings to fit your PCB, pad printing for your graphics, custom enclosures, custom colors, final assembly, testing and fulfillment services to save you additional time and money. Ask your representative for a free quote today 805-595-1310.

Fast and Affordable Customization

**CNC Modifications
Pad Printing
Colored Resins
EMI/RF Shielding
Custom Enclosure
Assembly & Testing**



ISO quality
off-the-shelf
to market-ready®

NEW AGE ENCLOSURES

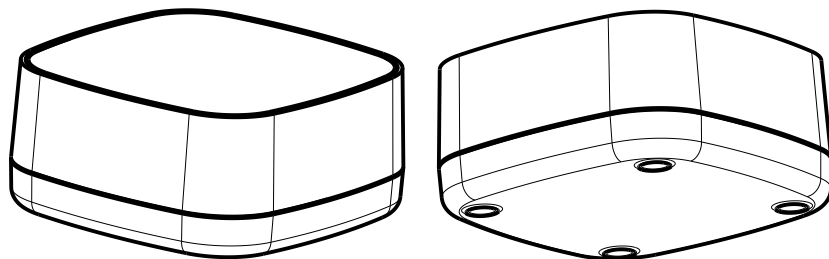
www.NewAgeEnclosures.com

4330 Santa Fe Road • San Luis Obispo, CA 93401 • T 805.595.1310 • F 805.595.1024

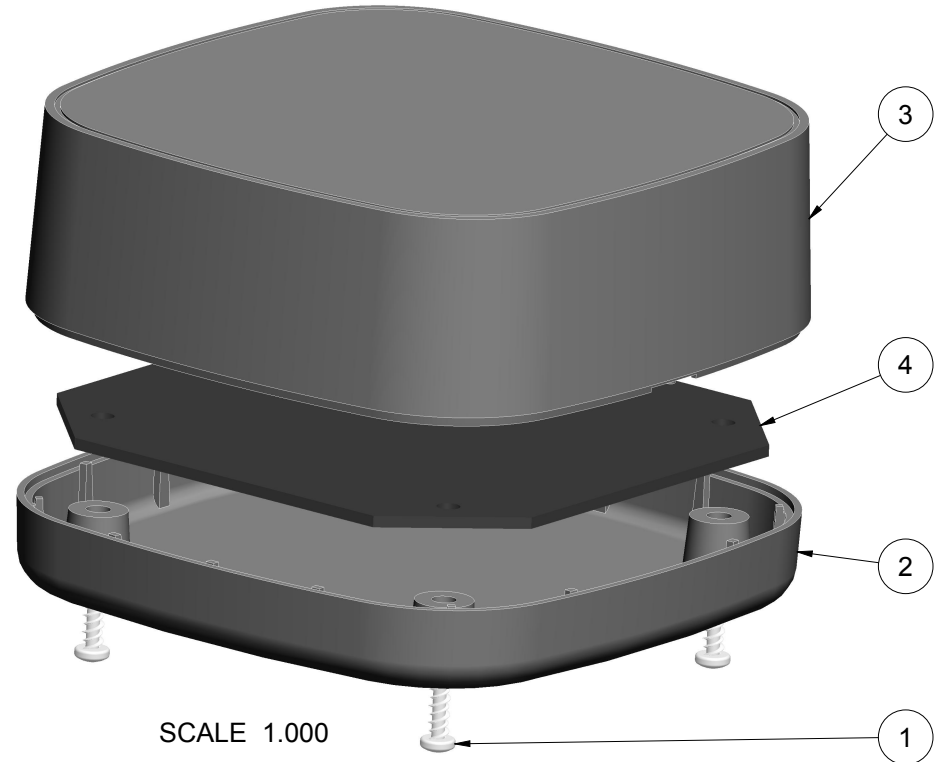
NOTES: UNLESS OTHERWISE SPECIFIED

1. CORNERS DRAWN SHARP TO BE R.005 MAXIMUM.
2. EXTERIOR SURFACE TEXTURE TO BE LIGHT EDM FINISH. EQUIVELANT TO MT-11020.
3. INTERIOR SURFACE TEXTURE TO BE: NONE.
4. ALL INSIDE RADII .010R. UNLESS OTHERWISE SPECIFIED.
5. ALL EXTERNAL DIMENSIONS AFFECTED BY THE DRAFT APPLY AT THE LARGE END OF THE FEATURE, AND ALL INTERNAL FEATURES AFFECTED BY THE DRAFT APPLY AT THE SMALL END OF THE FEATURE UNLESS OTHERWISE SPECIFIED.
6. 1 DEGREE DRAFT IN THE DIRECTION OF PULL IS PERMISSIBLE UNLESS OTHERWISE SPECIFIED.
7. MATERIAL / COLOR: ABS PLASTIC IS STANDARD IN BLACK OR WHITE. CUSTOM MATERIALS AND COLORS ARE AVAILABLE UPON REQUEST FOR QUOTE.
8. PCB SIZES ARE RECOMMENDATIONS ONLY. FINAL SIZES AND VERIFICATION OF IT'S FIT ARE THE SOLE RESPONSIBILITY OF EACH OWNER.
9. ASSEMBLY SCREWS FOR THE ENCLOSURE INCLUDED.
10. THIS DRAWING IS BASED ON A SOLID MODEL, AND IS FURTHER DEFINED BY THE SOLID MODEL FILE.
11. ALLOWABLE FLASH: 0.010 MAX.
12. ALL EJECTOR PIN MARKS TO BE WITHIN 0.010" OF FLUSH, PROTRUDING OR BELOW FLUSH.
13. TRIM GATE WITHIN 0.030" OF FLUSH.

| R E V I S I O N | | | | | |
|-----------------|----------|--------|--|-------------|----------|
| REV. | DRAWN BY | ECO No | DESCRIPTION | DATE | APPROVED |
| A | R CRUZ | DR XXX | PRELIMINARY RELEASE | 2015-May-18 | D.C. |
| B | R CRUZ | | UPDATE NOTE 2, PART NAME, PCB SHAPE | 2015-Jun-23 | D.C. |
| C | M BOYER | | REVISE SIZE AND DRAWING FORMAT | 2015-Oct-27 | D.C. |
| D | R CRUZ | | ADD RIBS TO BASE, INCREASE ASSY POST ID & OD | 2015-Dec-15 | D.C. |
| E | M BOYER | | REVISE TEXTURE NOTE | 2016-Feb-22 | |



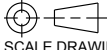
SCALE 0.500



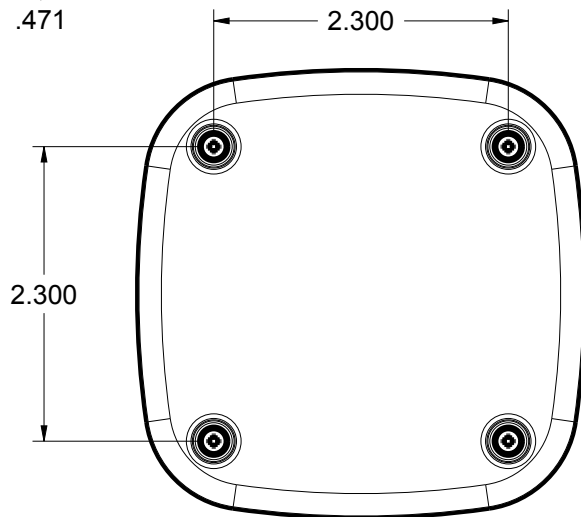
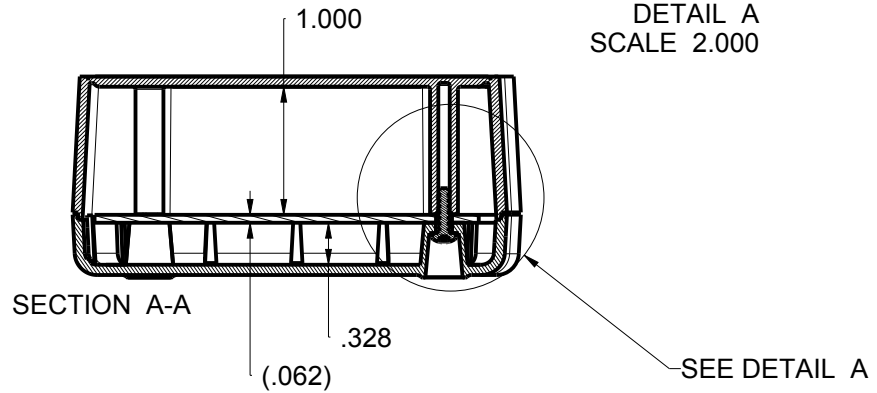
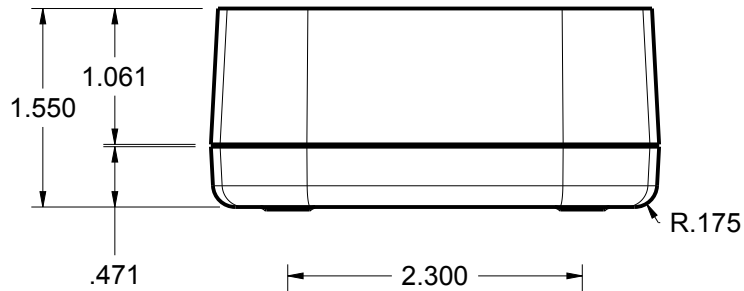
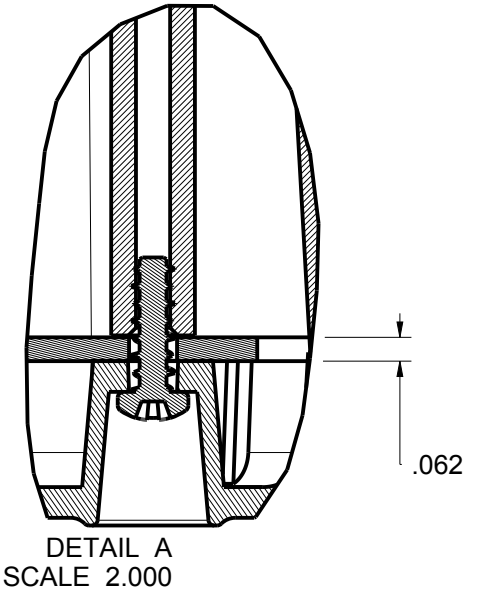
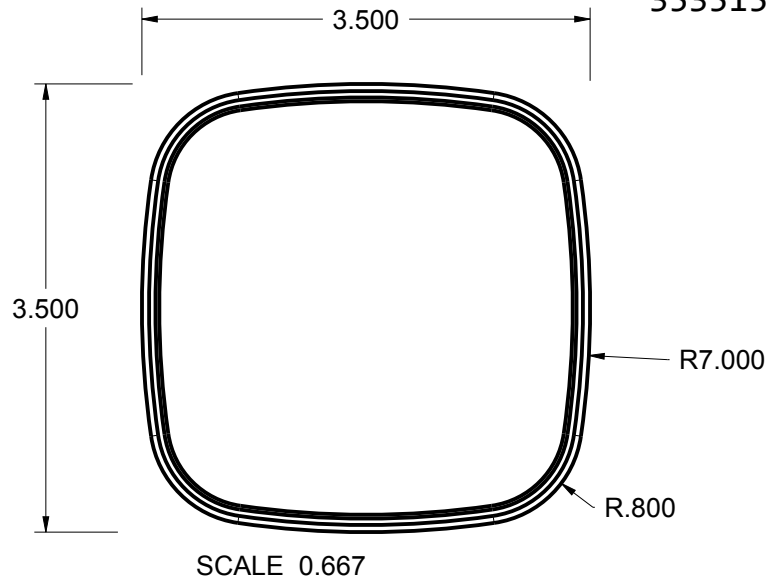
SCALE 1.000

| ITEM | FILE NAME | DESCRIPTION | MATERIAL | COLOR | QTY. |
|------|--------------------|-------------------------|-------------|-------------------|------|
| 4 | 353515_PCB | 353515 PCB - REFERENCE | .062" THICK | CUSTOMER SUPPLIED | 1 |
| 3 | 353515_COVER | 353515 COVER - STANDARD | ABS | BLACK or WHITE | 1 |
| 2 | 353515_BASE | 353515 BASE - STANDARD | ABS | BLACK or WHITE | 1 |
| 1 | SCREW_HILO-N04X375 | #4 HiLo x .375" SCREW | ZINK PLATED | 3/8" LONG | 4 |

BILL OF MATERIALS

| | | | | |
|--|---|----------------------------------|---|---|
| THIRD ANGLE PROJECTION  DO NOT SCALE DRAWING | TOLERANCES: UNLESS OTHERWISE SPECIFIED DIMENSIONS ARE IN U.S. INCHES. X.XX = .015 X.XXXX = .001 X.XXX = .010 X.X" = 1° | | NEW AGE ENCLOSURES 4330 Santa Fe Road San Luis Obispo, CA. 93401 ph. (805) 595-1310 fax (805) 595-1024 www.newageenclosures.com | |
| | Customer's Part No: 353515 | | | |
| APPROVAL BY DATE | | SCALE AS NOTED | | MEDIUM HUB - STANDARD SXX-353515-XXX |
| CHECK ENG. | | DRAWN BY R CRUZ DATE 2015-May-18 | | |
| NOTICE: THE INFORMATION AND DATA CONTAINED HEREIN IS CONSIDERED PROPRIETARY TO ALLTEC INTEGRATED MFG INC & SHALL REMAIN THE EXCLUSIVE PROPERTY OF ALLTEC INTEGRATED MFG INC. THE HOLDER WILL ASSUME CUSTODY AND CONTROL THAT THIS DOCUMENT WILL NOT BE COPIED, REPRODUCED, OR DISCLOSED WITHOUT THE EXPRESS WRITTEN CONSENT OF ALLTEC INTEGRATED MFG INC. THIS DOCUMENT DOES NOT CONSTITUTE A GRANT TO MANUFACTURE ANY ITEMS. © 2015 | | SIZE A DRAWING NAME 353515_RE | | REV.DOC E |

353515 ASSEMBLY



TOLERANCES: UNLESS OTHERWISE SPECIFIED
DIMENSIONS ARE IN U.S. INCHES.
X.XX = .015 X.XXXX = .001
X.XXX = .010 X.X° = 1°

NEW AGE ENCLOSURES

Customer's Part No: 353515

APPROVAL BY DATE

CHECK

ENG.

SCALE AS NOTED

DRAWN BY R CRUZ 2015-May-18

NEW AGE ENCLOSURES

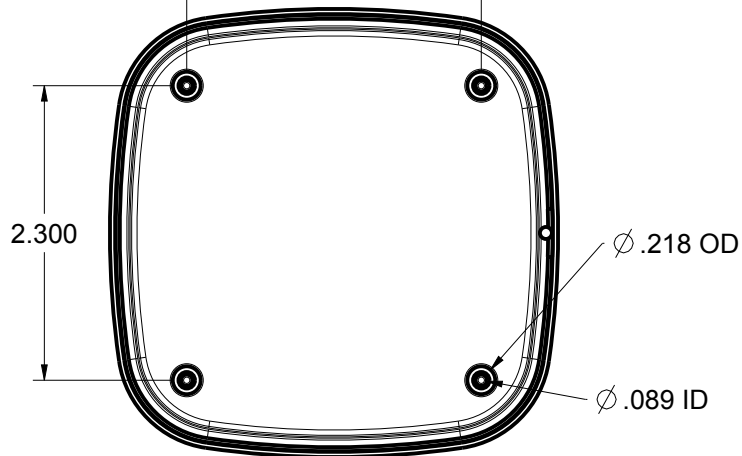
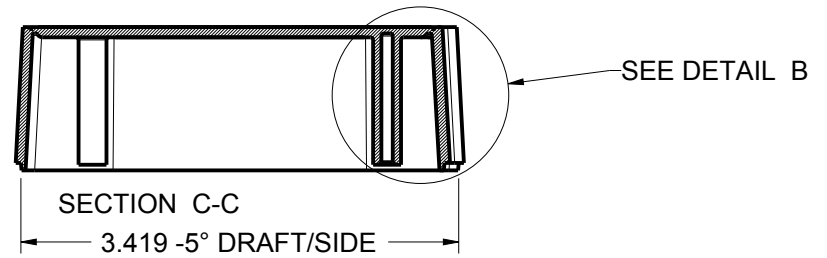
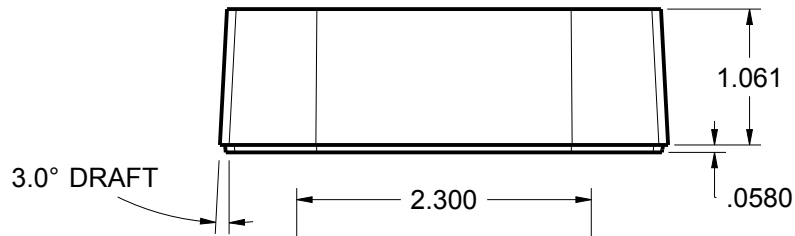
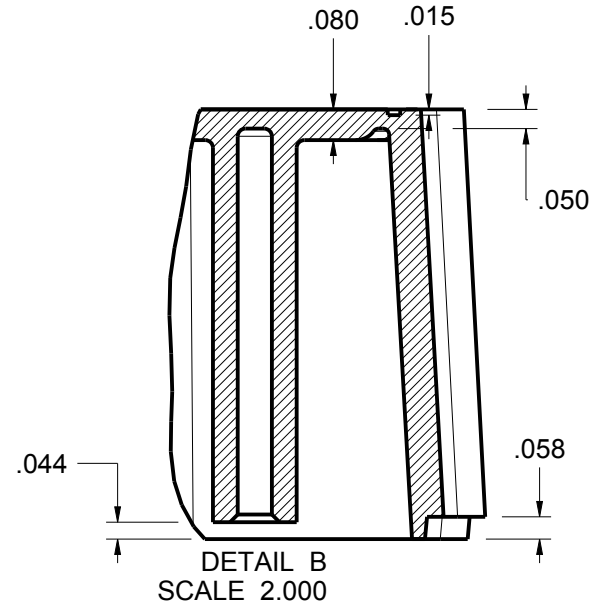
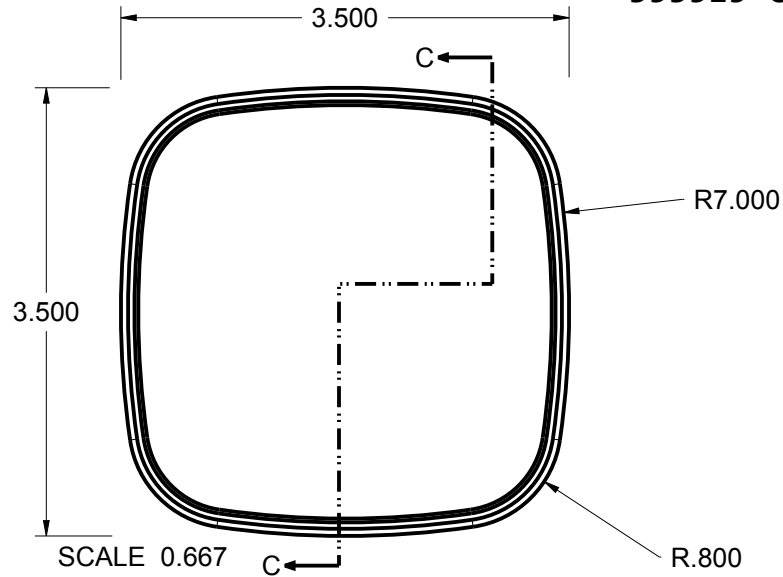
4330 Santa Fe Road San Luis Obispo, CA. 93401
ph. (805) 595-1310 fax (805) 595-1024
www.newageenclosures.com

MEDIUM HUB - STANDARD
SXX-353515-XXX

SIZE A DRAWING NAME 353515_RE

SHEET 2 OF 6 REV.DOC E

353515 COVER



TOLERANCES: UNLESS OTHERWISE SPECIFIED
DIMENSIONS ARE IN U.S. INCHES.
X.XX = .015 X.XXXX = .001
X.XXX = .010 X.X° = 1°

NEW AGE ENCLOSURES

Customer's Part No: 353515

APPROVAL BY DATE

CHECK

ENG.

SCALE AS NOTED

DRAWN BY R CRUZ 2015-May-18

NEW AGE ENCLOSURES

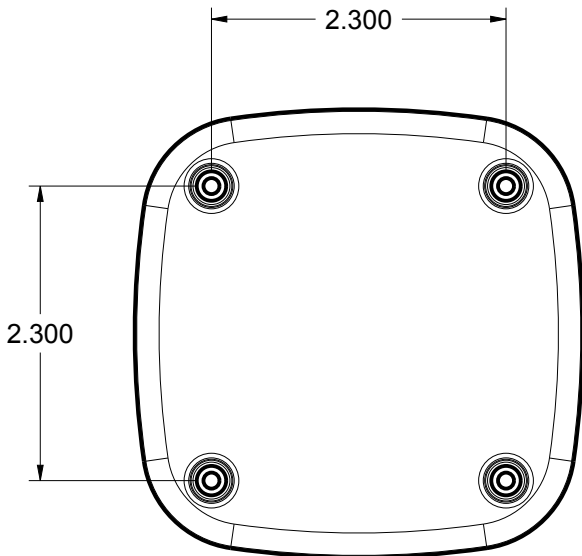
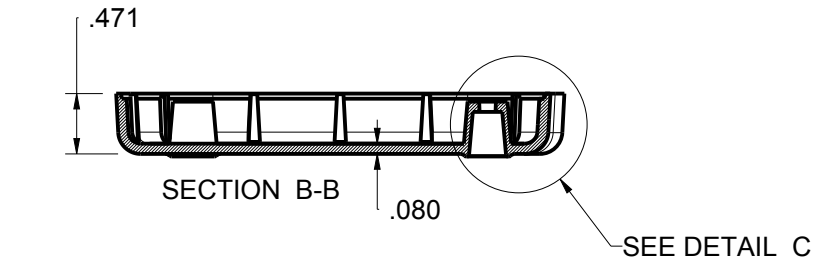
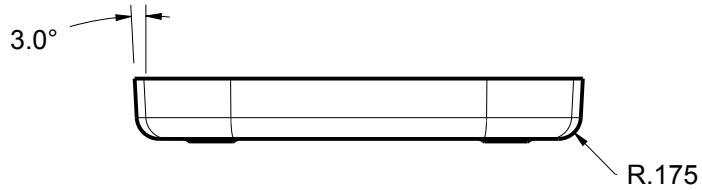
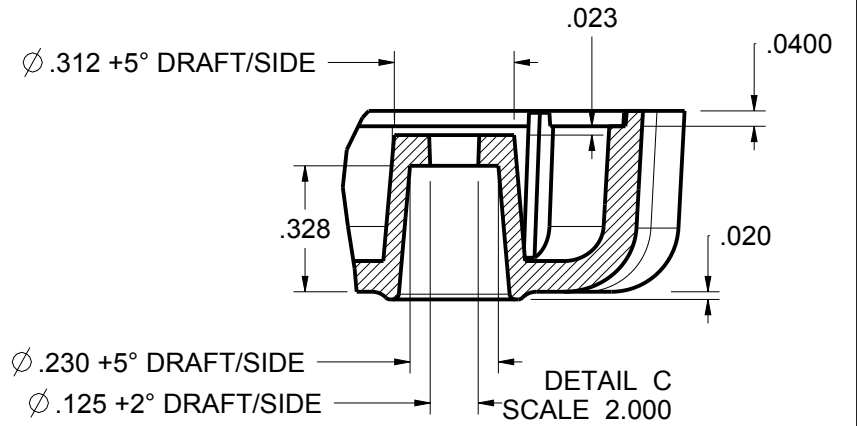
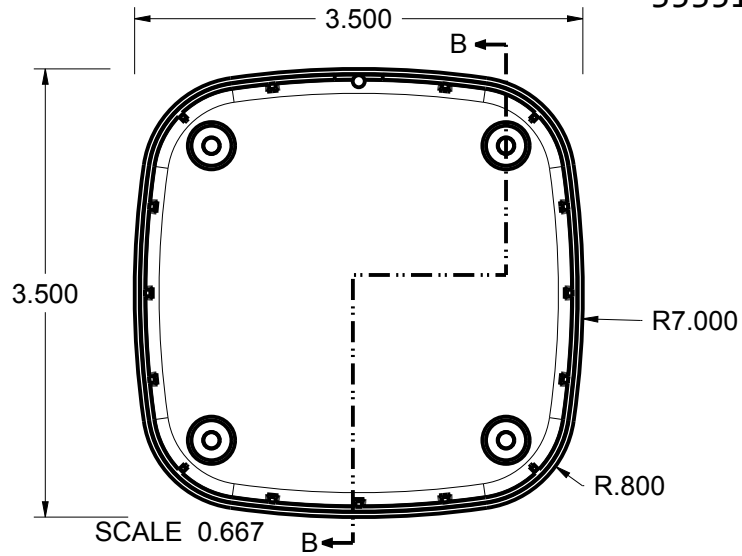
4330 Santa Fe Road San Luis Obispo, CA. 93401
ph. (805) 595-1310 fax (805) 595-1024
www.newageenclosures.com

MEDIUM HUB - STANDARD
SXX-353515-XXX

SIZE A DRAWING NAME 353515_RE

SHEET 3 OF 6 REV.DOC E

353515 BASE



TOLERANCES: UNLESS OTHERWISE SPECIFIED
DIMENSIONS ARE IN U.S. INCHES.
X.XX = .015 X.XXXX = .001
X.XXX = .010 X.X° = 1°

NEW AGE ENCLOSURES

Customer's Part No: 353515

APPROVAL BY DATE

CHECK

ENG.

SCALE AS NOTED

DRAWN BY R CRUZ 2015-May-18

NEW AGE ENCLOSURES

4330 Santa Fe Road San Luis Obispo, CA. 93401
ph. (805) 595-1310 fax (805) 595-1024
www.newageenclosures.com

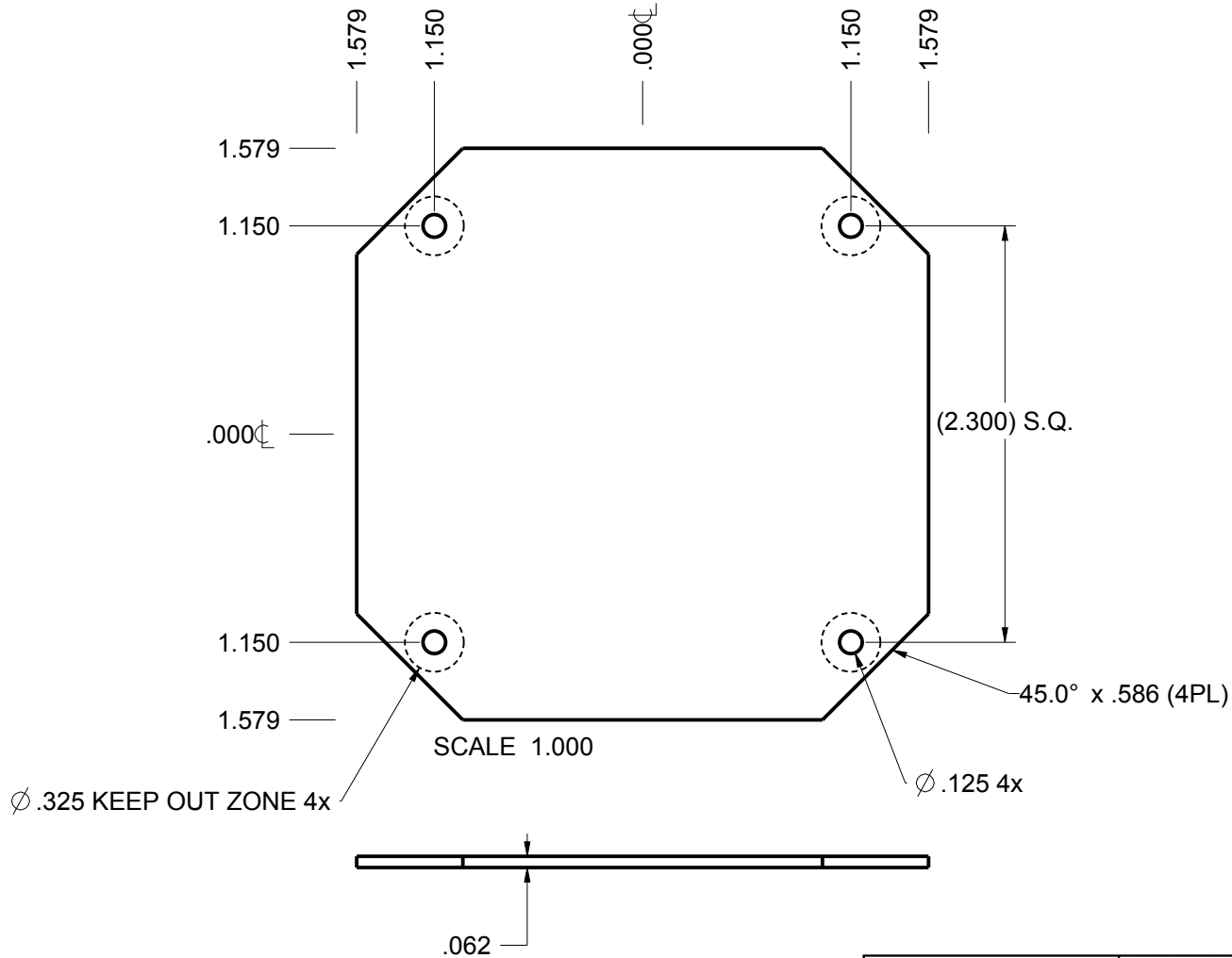
MEDIUM HUB - STANDARD
SXX-353515-XXX

SIZE A DRAWING NAME 353515_RE

SHEET 4 OF 6 REV.DOC E

353515 PCB - CUSTOMER SUPPLIED

PCB SIZES/SHAPE ARE RECOMMENDATIONS ONLY. ALTERNATE PCB DESIGNS ARE COMPATIBLE BUT MUST FIT INSIDE ENVELOPE DIMENSIONS AND MAINTAIN MOUNTING HOLE LOCATION AND SIZE. FINAL SIZES AND VERIFICATION OF ITS FIT ARE THE SOLE RESPONSIBILITY OF THE CUSTOMER.



TOLERANCES- UNLESS OTHERWISE SPECIFIED
DIMENSIONS ARE IN U.S. INCHES.
X.XX = .015 X.XXXX = .001
X.XXX = .010 X.X° = 1°

NEW AGE ENCLOSURES

Customer's Part No: 353515

APPROVAL BY DATE

CHECK

ENG.

SCALE AS NOTED

DRAWN BY R CRUZ 2015-May-18

NEW AGE ENCLOSURES

4330 Santa Fe Road San Luis Obispo, CA. 93401
ph. (805) 595-1310 fax (805) 595-1024
www.newageenclosures.com

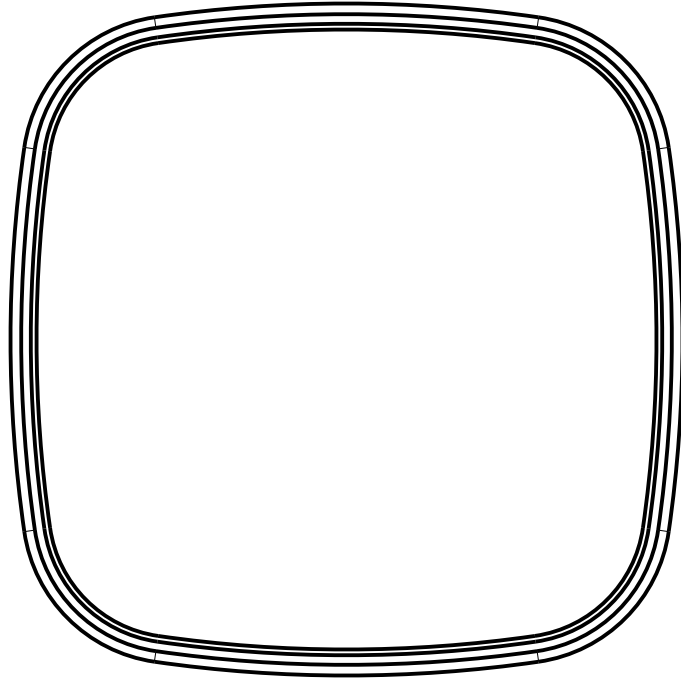
MEDIUM HUB - STANDARD
SXX-353515-XXX

SIZE A DRAWING NAME 353515_RE

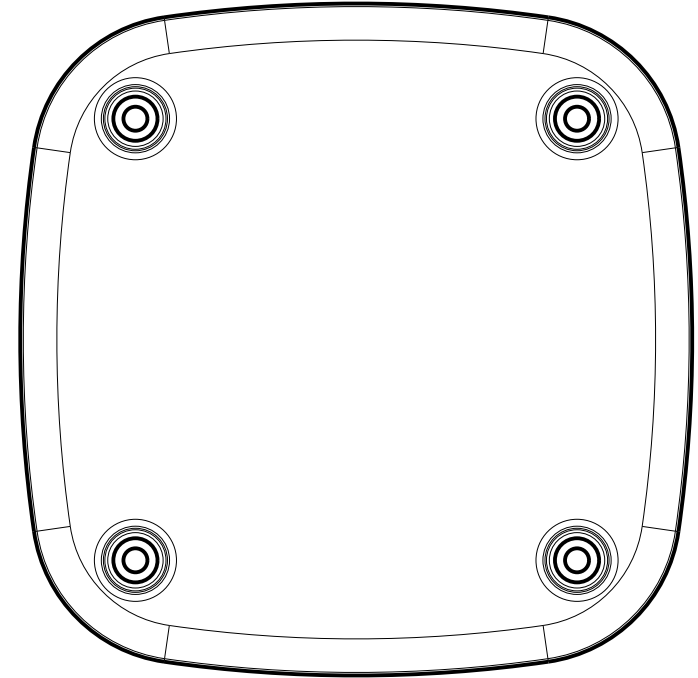
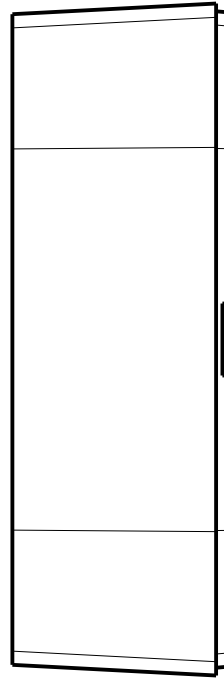
SHEET 5 OF 6 REV.DOC E

2nd OPERATION DETAILS

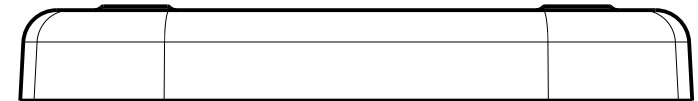
NEW AGE ENCLOSURES DELIVERS YOUR ENCLOSURE MARKET-READY WITH IN-HOUSE
CNC MACHINING, PAD PRINTING, ASSEMBLY, AND FULFILLMENT.
ALL SURFACES AND AREAS ARE AVAILABLE FOR CNC ALTERATION BY NEW AGE ENCLOSURES
CALL (805) 595-1310 FOR PRICING AND SCHEDULE.
THE INSIDE RADIUS OF ANY MACHINED FEATURES SHOULD BE NO SMALLER THAN .031"



353515 COVER
SCALE 1.000



353515 BASE
SCALE 1.000



| Sxx-353515-xxx COVER - ABS, BLACK | | | | | |
|-----------------------------------|-------------|---------------|---------|-------------|---------|
| STEP NO | DESCRIPTION | CUTTER | FIXTURE | ORIENTATION | PROGRAM |
| 1-C-C1 | - | T2 = .062" EM | - | - | o1000 |
| 2-C-C2 | - | T2 = .062" EM | - | - | o1000 |

| Sxx-353515-xxx COVER - ABS, BLACK | | | | |
|-----------------------------------|-------------|-----------|--------------------|------------|
| STEP NO | DESCRIPTION | INK COLOR | CLICHE DESCRIPTION | CLICHE No. |
| 3-C-P1 | PAD PRINT | BLACK | - | CLXXXX R1 |

| | | |
|--|-------------|------|
| TOLERANCES: UNLESS OTHERWISE SPECIFIED DIMENSIONS ARE IN U.S. INCHES. X.XX = .015 X.XXXX = .001 X.XXX = .010 XX° = 1° | | |
| NEW AGE ENCLOSURES | | |
| Customer's Part No: 353515 | | |
| APPROVAL | BY | DATE |
| CHECK | | |
| ENG. | | |
| SCALE | AS NOTED | |
| DRAWN BY | 2015-May-18 | |
| R CRUZ | | |

NEW AGE ENCLOSURES

4330 Santa Fe Road San Luis Obispo, CA. 93401
ph. (805) 595-1310 fax (805) 595-1024
www.newageenclosures.com

MEDIUM HUB - STANDARD SXX-353515-XXX

| | | | |
|------|--------------|--------|---------|
| SIZE | DRAWING NAME | SHEET | REV.DOC |
| A | 353515_RE | 6 OF 6 | E |

X-ON Electronics

Largest Supplier of Electrical and Electronic Components

Click to view similar products for [Enclosures, Boxes & Cases](#) *category:*

Click to view products by [New Age](#) *manufacturer:*

Other Similar products are found below :

[585-R-WH-PK](#) [M-10-PLATED](#) [60221-01](#) [60566-01-000](#) [HPL-9VB BATT DOOR](#) [M18-PLTD](#) [M-21-PLATED](#) [63310-01-000](#) [6711GSKT](#)
[71884-29-028](#) [LH45-100 Black](#) [72868-510-000](#) [CNS-0000 Black](#) [72883-510-000](#) [CNS-0101 Black](#) [72906-510-000](#) [CNS-0407 Black](#) [73092-](#)
[510-000](#) [CNM-0101 Black](#) [73105-510-000](#) [CNL-0101 Black](#) [73108-510-000](#) [CNL-0303 Black](#) [73395-510-039](#) [CNS-0006 Bone](#) [74257-510-000](#)
[CNL-0004](#) [MDC-1183-PLAIN-ALUM](#) [MDC-1183-PTD](#) [MDC-13104-PTD](#) [MDC-321-PTD](#) [MDC-973-PTD](#) [76](#) [77153-01-028](#) [FLX6030](#)
[83535-01-508](#) [90026-501-000](#) [PS36-200](#) [116-508](#) [120-407](#) [120-910](#) [127-908](#) [130-008](#) [1301170079](#) [1322GSKTEP](#) [1325GSKT3](#) [1434-1210](#)
[EAS-500 \(BLACK ANO\)](#) [1804RP-RB-PK](#) [190-005](#) [2202307](#) [KAB3321 BLACK](#) [KAB3421](#) [2697466](#) [S52213](#) [2901123](#) [2901699](#) [A0645271](#)
[A20P20](#) [2106-IR](#) [PERF-850-PLN](#)