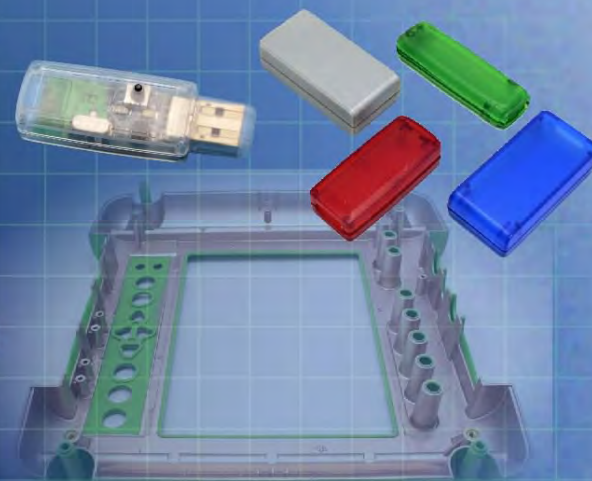




Ordering a market-ready enclosure® is made fast and affordable with our complete in-house capabilities. New Age provides machined openings to fit your PCB, pad printing for your graphics, custom enclosures, custom colors, final assembly, testing and fulfillment services to save you additional time and money. Ask your representative for a free quote today 805-595-1310.

Fast and Affordable Customization

**CNC Modifications
Pad Printing
Colored Resins
EMI/RF Shielding
Custom Enclosure
Assembly & Testing**



ISO quality
off-the-shelf
to market-ready®

NEW AGE ENCLOSURES

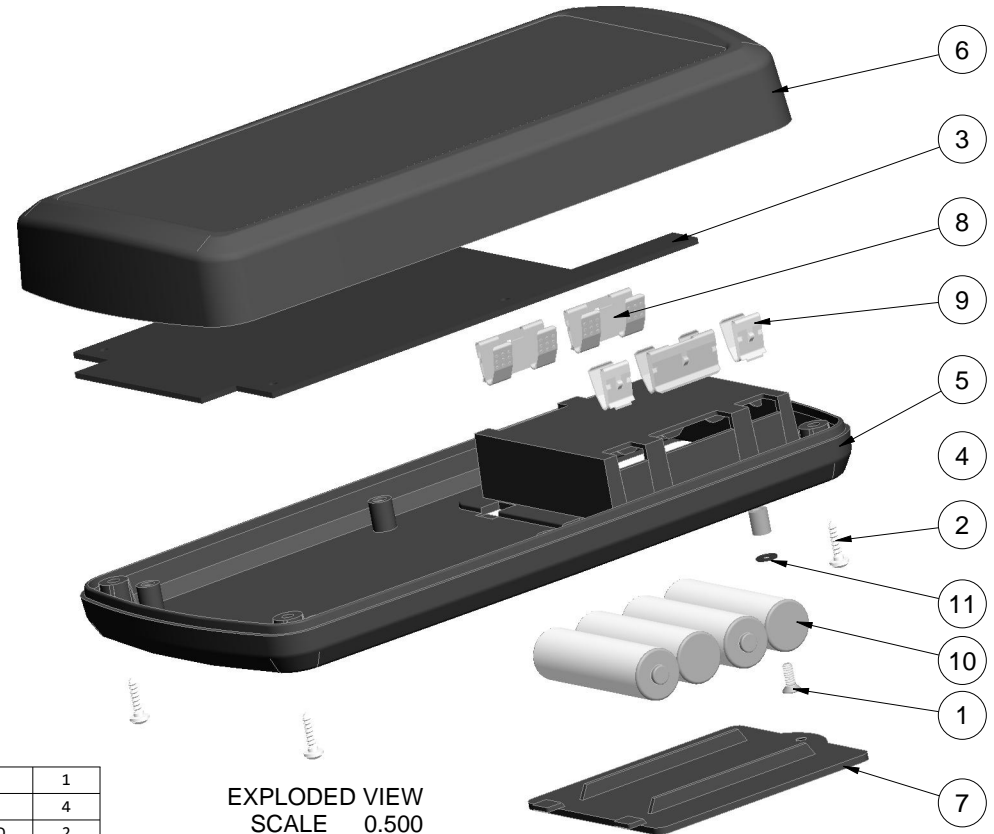
www.NewAgeEnclosures.com

4330 Santa Fe Road • San Luis Obispo, CA 93401 • T 805.595.1310 • F 805.595.1024

NOTES: UNLESS OTHERWISE SPECIFIED

1. CORNERS DRAWN SHARP TO BE R.005 MAXIMUM.
2. EXTERIOR SURFACE TEXTURE TO BE LIGHT EDM FINISH. EQUIVELANT TO MT-11010.
3. INTERIOR SURFACE TEXTURE TO BE: NONE.
4. ALL INSIDE RADII .010R. UNLESS OTHERWISE SPECIFIED.
5. ALL EXTERNAL DIMENSIONS AFFECTED BY THE DRAFT APPLY AT THE LARGE END OF THE FEATURE, AND ALL INTERNAL FEATURES AFFECTED BY THE DRAFT APPLY AT THE SMALL END OF THE FEATURE UNLESS OTHERWISE SPECIFIED.
6. 1 DEGREE DRAFT IN THE DIRECTION OF PULL IS PERMISSIBLE UNLESS OTHERWISE SPECIFIED.
7. MATERIAL / COLOR: ABS PLASTIC IS STANDARD IN BLACK OR WHITE. CUSTOM MATERIALS AND COLORS ARE AVAILABLE UPON REQUEST FOR QUOTE.
8. PCB SIZES ARE RECOMMENDATIONS ONLY. FINAL SIZES AND VERIFICATION OF IT'S FIT ARE THE SOLE RESPONSIBILITY OF EACH OWNER.
9. STANDARD OR CUSTOM LABEL RECESSES ARE AVAILABLE UPON REQUEST FOR QUOTE.
10. ASSEMBLY SCREWS PROVIDED. PCB SCREWS AND BATTERY CONTACTS ARE SOLD SEPERATELY.
11. BATTERY CLIPS AVAILABLE. ASK REP. FOR DETAILS
12. HARDWARE CALLOUT:
 - a) ASSY BOSS - 4ea .250" #6 HI-LOW SCREW
 - b) PCB BOSS - 4ea .187" #4 HI-LOW SCREW (Not Included)
 - c) BATTERY HATCH - 1ea 4-40 BRASS INSERT
1ea 4-40 FLATHEAD SCREW
1ea #2 RETAINER WASHER

R E V I S I O N					
REV.	DRAWN BY	ECO No	DESCRIPTION	DATE	APPROVED
1	M BOYER		PRELIMINARY RELEASE	08-Jul-04	D.C.
2	M BOYER		RELEASED	09-Jul-04	D.C.
3	M BOYER		MODIFIED BATTERY COMPARTMENT	06-Aug-04	D.C.
4	M BOYER	0208	UPDATE FORMAT	15-May-08	D.C.
5	M BOYER	4209	REDUCE SIZE OF ASSEMBLY SCREW HOLE ON BASE	04-Nov-09	D.C.
5.1	M BOYER	0710	UPDATE FORMAT	26-Mar-10	D.C.
5.2	M BOYER	0412	ADD NYLON WASHER TO BOM	13-Feb-12	

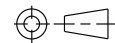


EXPLODED VIEW
SCALE 0.500

ITEM	FILE NAME	DESCRIPTION	MATERIAL	COLOR	QTY.
11	WASHER_91755A2	WASHER NYLON RETAINING #2	NYLON	WHITE	1
10	BATTERY_AA	BATTERY - CUSTOMER SUPPLIED	SIZE "AA"	REFERENCE	4
9	SM_CLIP	ACC-AACLIP-209	STEEL	NICKEL PLATED	2
8	LG_CLIP	ACC-AACLIP-210	STEEL	NICKEL PLATED	3
7	784114_HATCH	784114 HATCH - STANDARD	ABS	BLACK or WHITE	1
6	784114_COVER	784114 COVER - STANDARD	ABS	BLACK or WHITE	1
5	784114_BASE	784114 BASE - STANDARD	ABS	BLACK or WHITE	1
4	4-40_INSERT	PEM STKB-440-8	STK SERIES INSERT	4-40 x .250"	1
3	784114_PCB	784114 PCB - REFERENCE	CUSTOMER SUPPLIED	.062" THICK	1
2	NO_4_500_SCREW	ASSEMBLY SCREW	#4 HILO SCREW	#4 HILO x .500"	4
1	4-40_FLAT-HEAD-SCREW	4-40 FLAT HEAD	4-40 FH x .312"	-	1

BILL OF MATERIALS

THIRD ANGLE PROJECTION



DO NOT SCALE DRAWING

TOLERANCES: UNLESS OTHERWISE SPECIFIED DIMENSIONS ARE IN U.S. INCHES:

X.XX = .015 X.XXXX = .001
X.XXX = .010 X.X° = 1°

NEW AGE ENCLOSURES

Customer's Part No: 784114

APPROVAL	BY	DATE
CHECK		
ENG.		
SCALE	AS NOTED	

DRAWN BY
M BOYER 08-Jul-04

NEW AGE ENCLOSURES

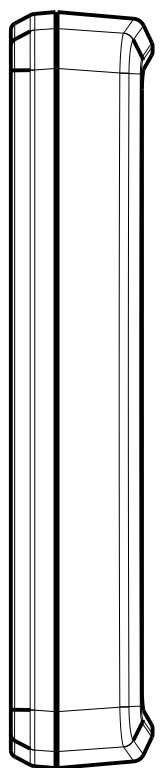
4330 Santa Fe Road San Luis Obispo, CA. 93401
ph. (805) 595-1310 fax (805) 595-1024

www.newageenclosures.com

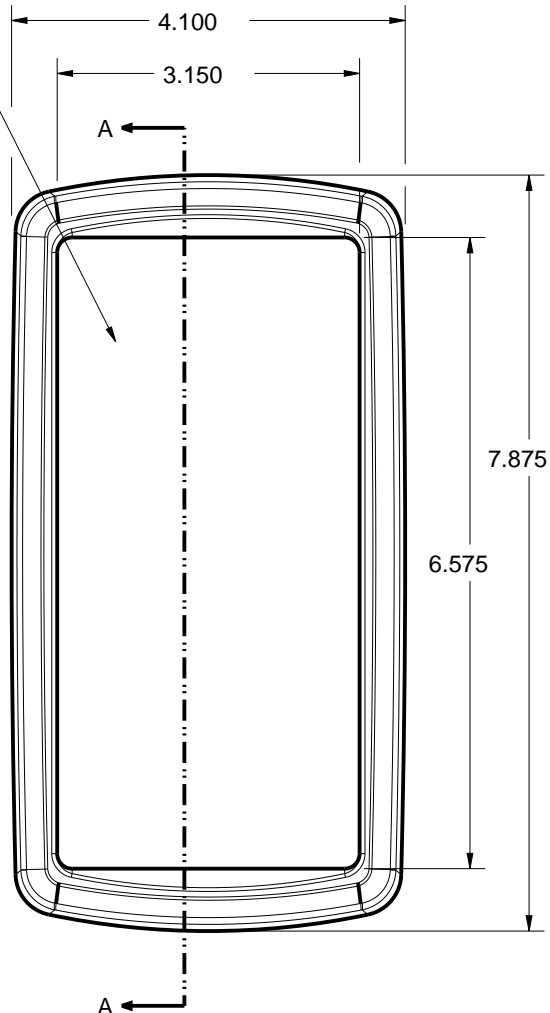
**STANDARD LRG HANDHELD
SXX-784114 ASSEMBLY**

SIZE	DRAWING NAME	SHEET	REV.DOC
A	784114_R5_2	1 OF 7	5.2

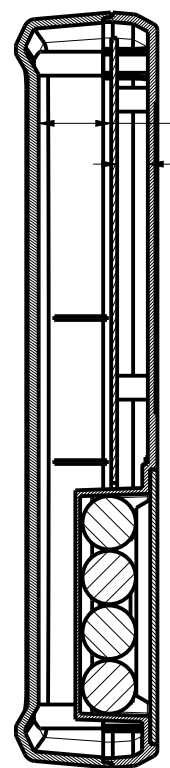
COVER LABEL AREA
AVAILABLE FOR
CUSTOM TOOLING
6.58" x 3.15"



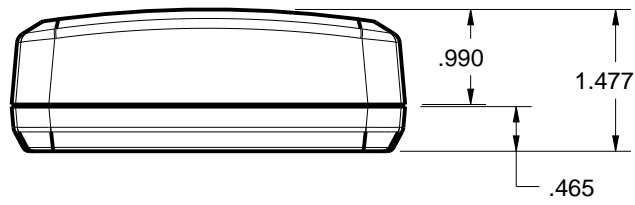
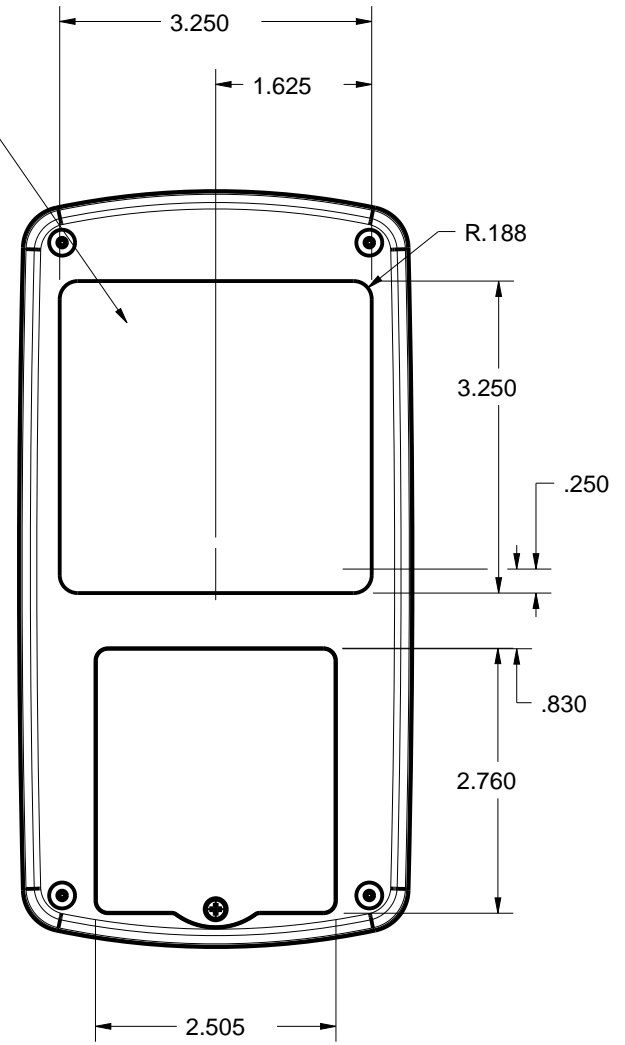
SCALE 0.500



BASE LABEL AREA
AVAILABLE FOR
CUSTOM TOOLING
3.25" X 3.25"

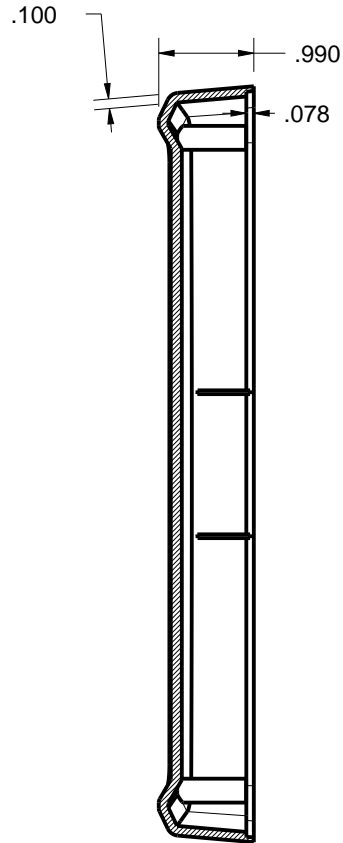
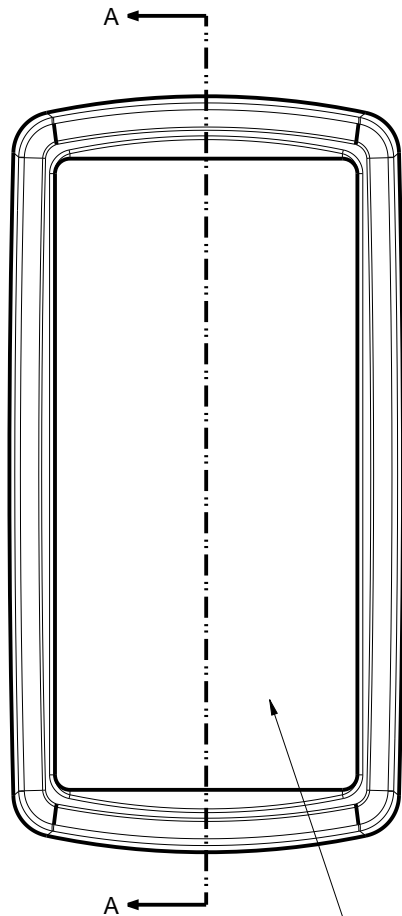


SECTION A-A

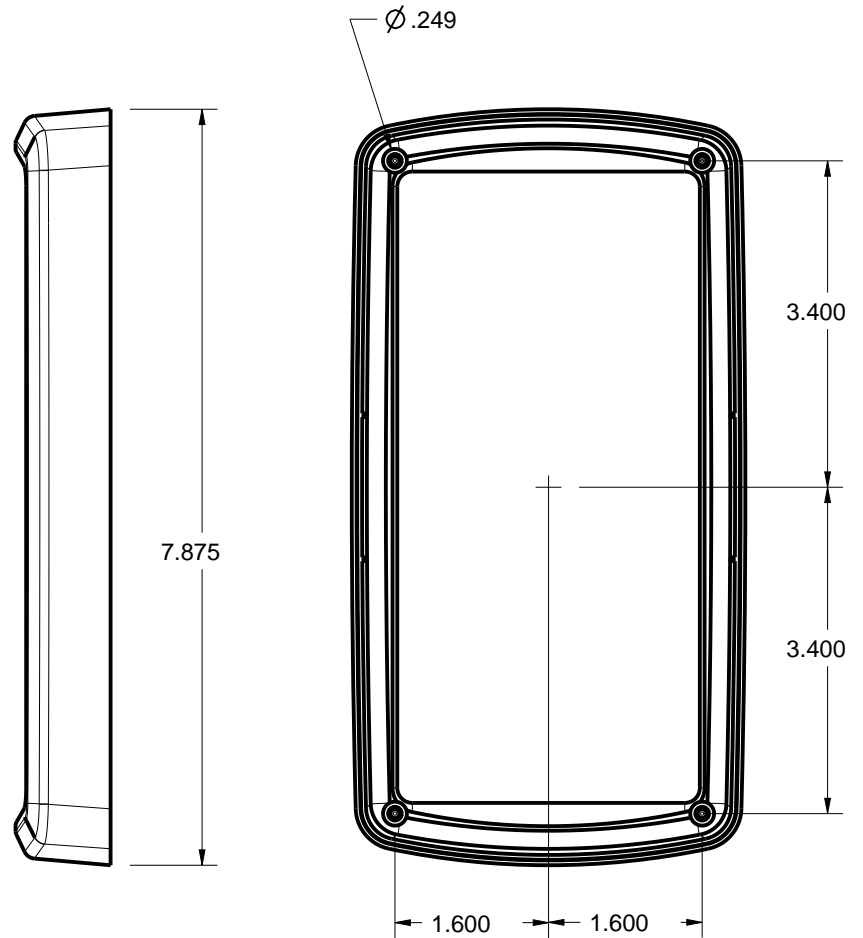


TOLERANCES: UNLESS OTHERWISE SPECIFIED DIMENSIONS ARE IN U.S. INCHES: X.XX = .015 X.XXXX = .001 X.XXX = .010 X.X° = 1°		NEW AGE ENCLOSURES 4330 Santa Fe Road San Luis Obispo, CA. 93401 ph. (805) 595-1310 fax (805) 595-1024 www.newageenclosures.com	
NEW AGE ENCLOSURES Customer's Part No: 784114			
APPROVAL	BY	DATE	STANDARD LRG HANDHELD SXX-784114 ASSEMBLY
CHECK			
ENG.			
SCALE	AS NOTED		
DRAWN BY	M BOYER	08-Jul-04	SIZE A DRAWING NAME 784114_R5_2 SHEET 2 OF 7 REV.DOC 5.2

784114 COVER

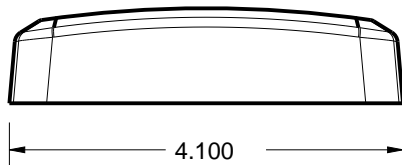


SECTION A-A



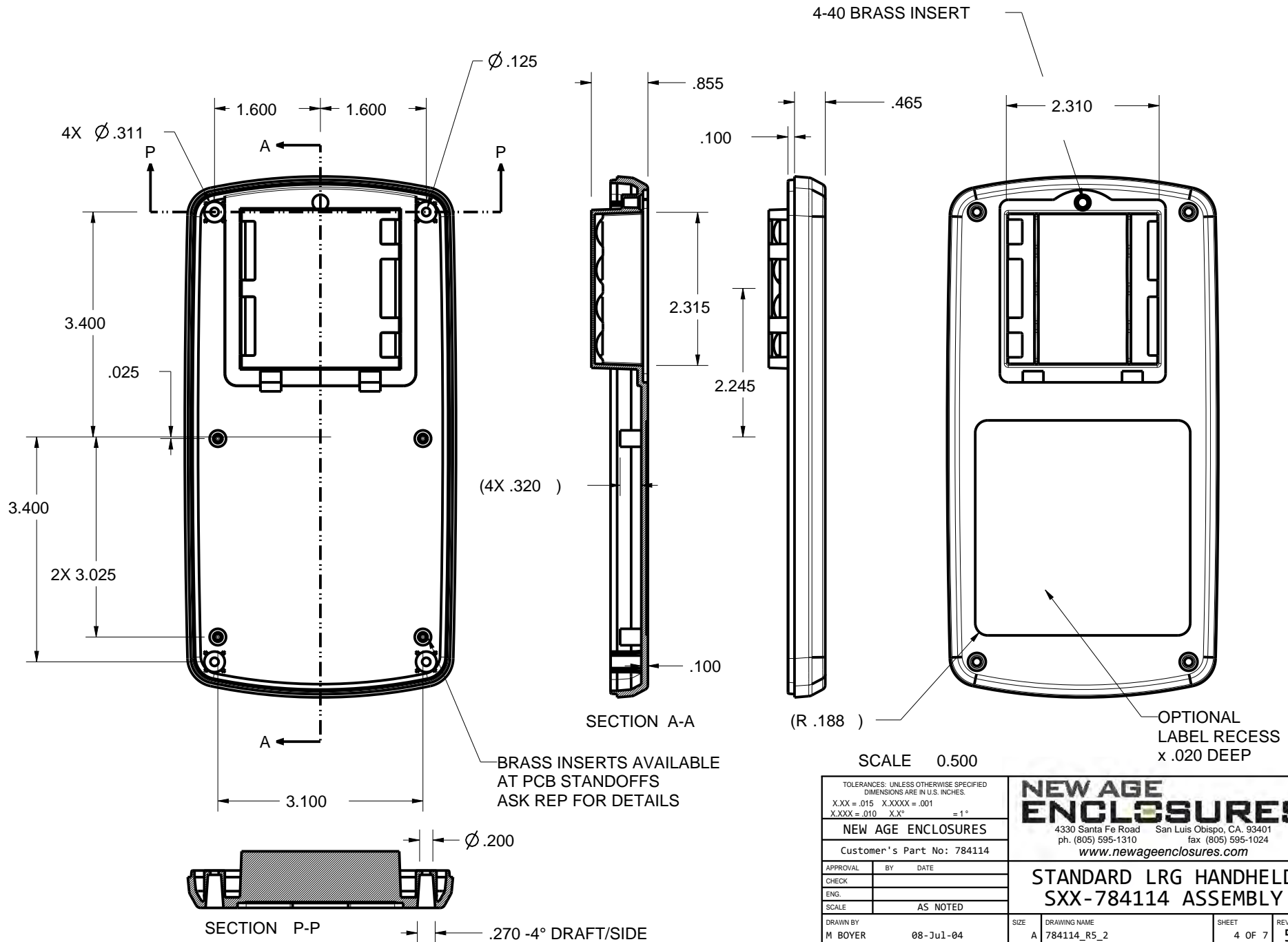
SCALE 0.500

LABEL AREA RECESS
AVAILABLE .020 DEEP



TOLERANCES: UNLESS OTHERWISE SPECIFIED DIMENSIONS ARE IN U.S. INCHES: X.XX = .015 X.XXXX = .001 X.XXX = .010 X.X° = 1°		NEW AGE ENCLOSURES 4330 Santa Fe Road San Luis Obispo, CA. 93401 ph. (805) 595-1310 fax (805) 595-1024 www.newageenclosures.com	
NEW AGE ENCLOSURES Customer's Part No: 784114			
APPROVAL	BY	DATE	STANDARD LRG HANDHELD SXX-784114 ASSEMBLY
CHECK			
ENG.			
SCALE	AS NOTED		SIZE
DRAWN BY	08-Jul-04		DRAWING NAME
M BOYER			A 784114_R5_2
		SHEET	REV.DOC
		3 OF 7	5.2

784114 BASE



TOLERANCES: UNLESS OTHERWISE SPECIFIED
DIMENSIONS ARE IN U.S. INCHES:
X.XX = .015 X.XXXX = .001
X.XXX = .010 X.X° = 1°

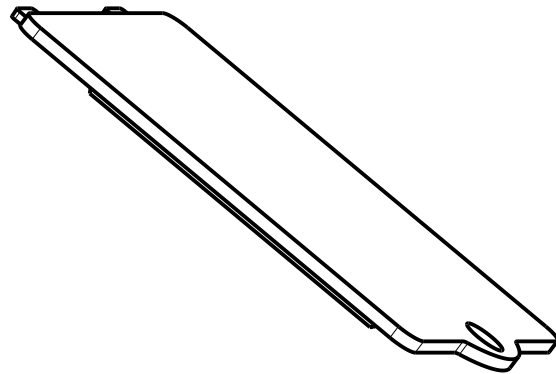
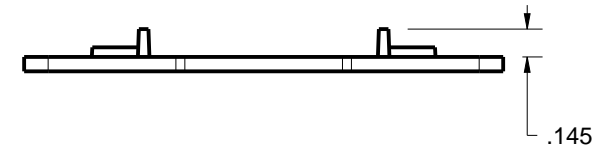
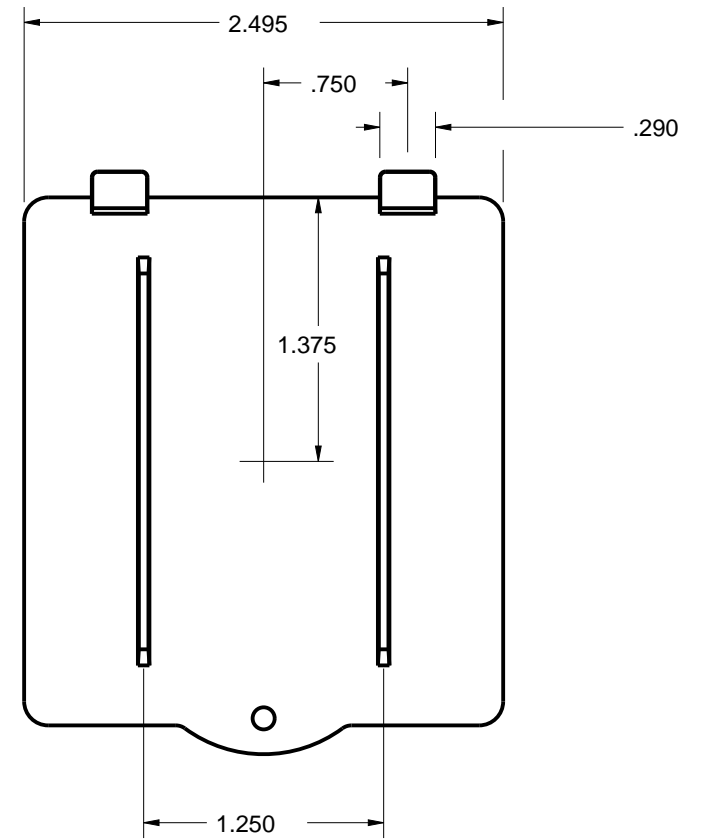
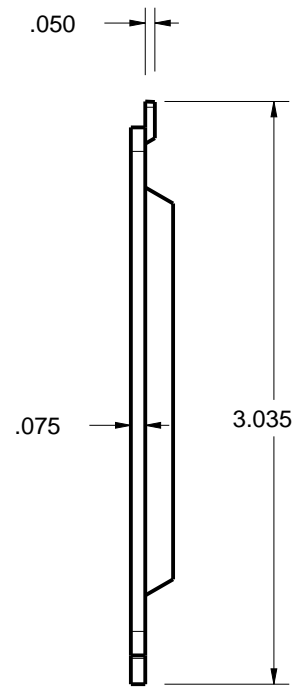
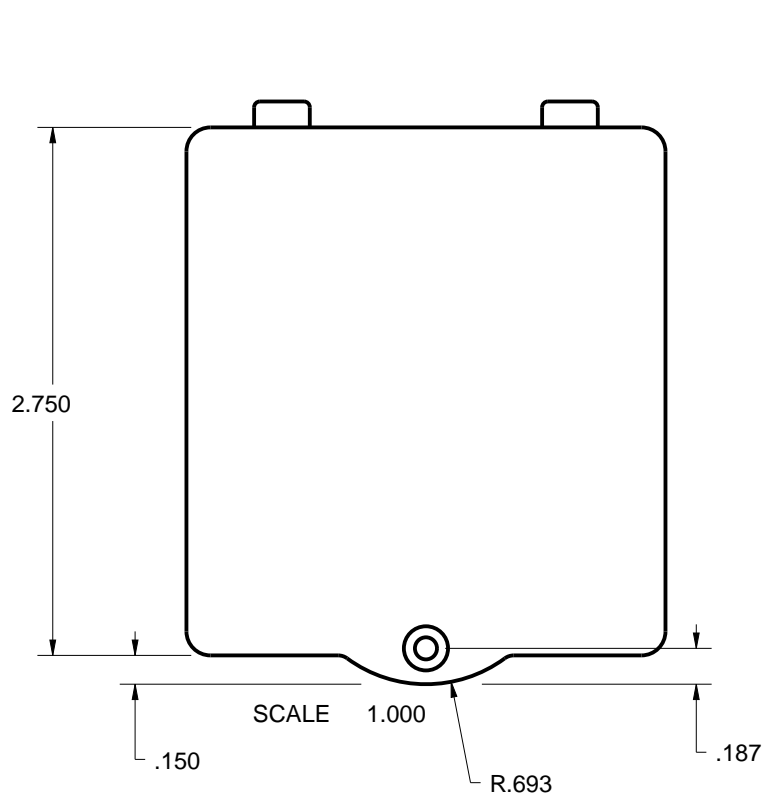
NEW AGE ENCLOSURES
Customer's Part No: 784114

NEW AGE ENCLOSURES
4330 Santa Fe Road San Luis Obispo, CA. 93401
ph. (805) 595-1310 fax (805) 595-1024
www.newageenclosures.com

APPROVAL	BY	DATE
CHECK		
ENG.		
SCALE	AS NOTED	
DRAWN BY	08-Jul-04	
M BOYER		

STANDARD LRG HANDHELD SXX-784114 ASSEMBLY		SIZE	DRAWING NAME	SHEET	REV.DOC
		A	784114_R5_2	4 OF 7	5.2

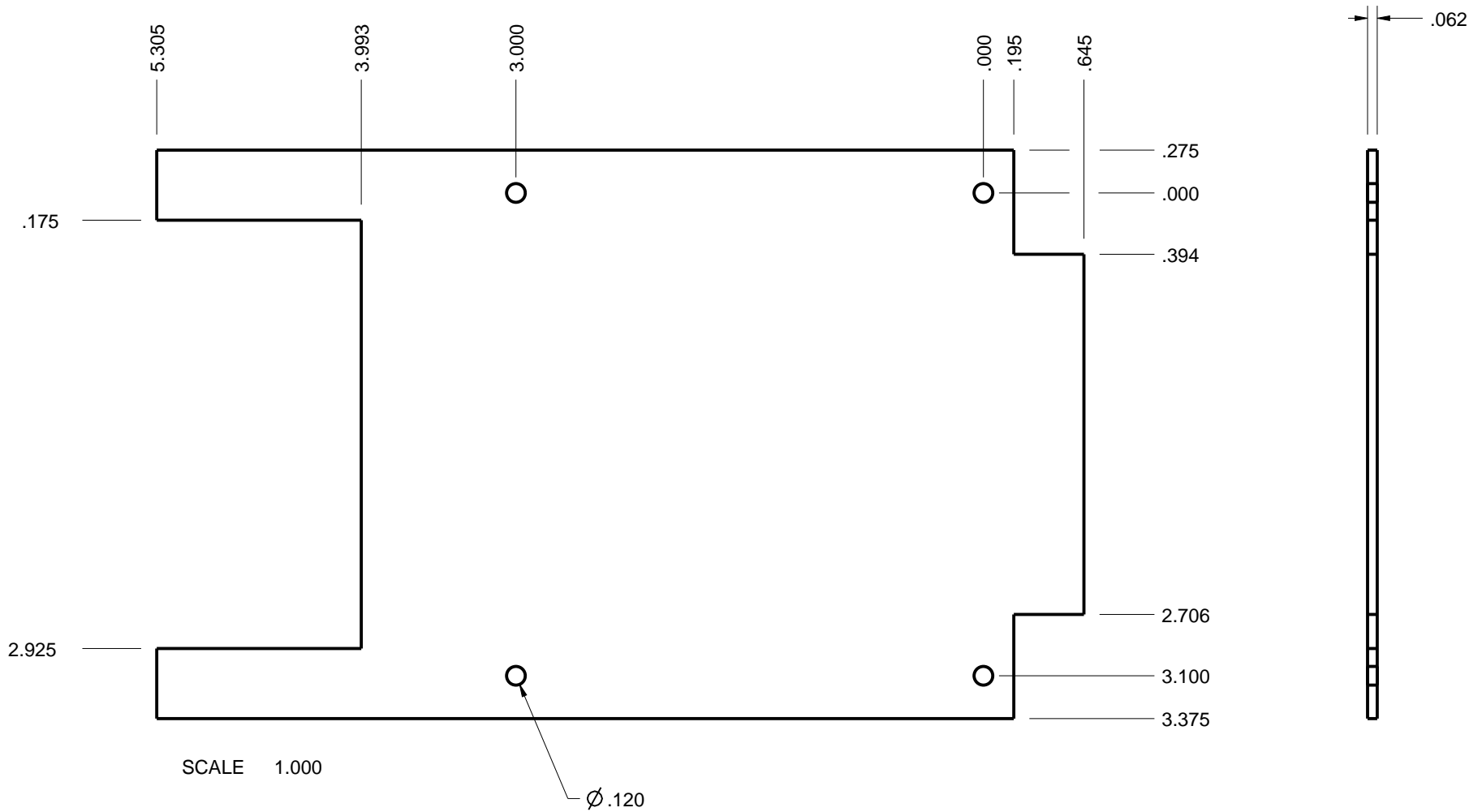
784114 BATTERY HATCH



TOLERANCES: UNLESS OTHERWISE SPECIFIED DIMENSIONS ARE IN U.S. INCHES: X.XX = .015 X.XXXX = .001 X.XXX = .010 X.X° = 1°		NEW AGE ENCLOSURES	
Customer's Part No: 784114		4330 Santa Fe Road San Luis Obispo, CA. 93401 ph. (805) 595-1310 fax (805) 595-1024 www.newageenclosures.com	
APPROVAL	BY	DATE	STANDARD LRG HANDHELD SXX-784114 ASSEMBLY
CHECK			
ENG.			
SCALE	AS NOTED		
DRAWN BY	08-Jul-04	SIZE	DRAWING NAME
M BOYER		A	784114_R5_2
		SHEET	REV.DOC
		5 OF 7	5.2

784114 PCB - CUSTOMER SUPPLIED

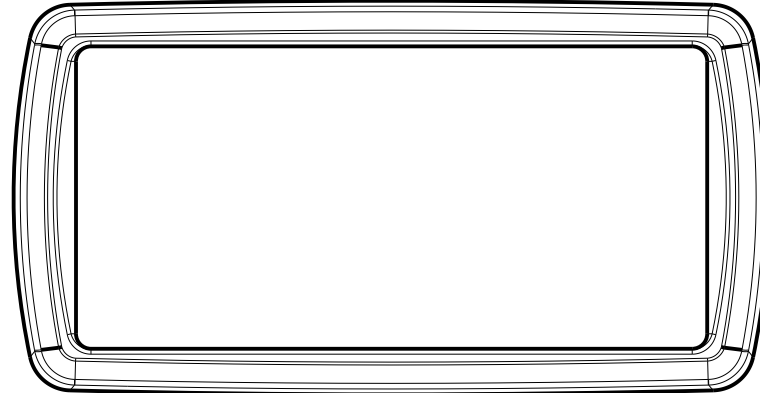
PCB SIZES ARE RECOMMENDATIONS ONLY. FINAL SIZES AND VERIFICATION OF IT'S FIT ARE THE SOLE RESPONSIBILITY OF THE OEM.



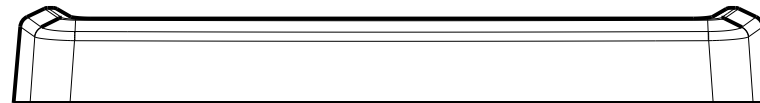
TOLERANCES: UNLESS OTHERWISE SPECIFIED DIMENSIONS ARE IN U.S. INCHES: X.XX = .015 X.XXXX = .001 X.XXX = .010 X.X° = 1°		NEW AGE ENCLOSURES 4330 Santa Fe Road San Luis Obispo, CA. 93401 ph. (805) 595-1310 fax (805) 595-1024 www.newageenclosures.com	
Customer's Part No: 784114			
APPROVAL	BY	DATE	STANDARD LRG HANDHELD SXX-784114 ASSEMBLY
CHECK			
ENG.			
SCALE	AS NOTED		
DRAWN BY	M BOYER	08-Jul-04	SIZE A DRAWING NAME 784114_R5_2 SHEET 6 OF 7 REV.DOC 5.2

2nd OPERATION DETAILS

NEW AGE ENCLOSURES DELIVERS YOUR ENCLOSURE MARKET-READY WITH IN-HOUSE
CNC MACHINING, PAD PRINTING, ASSEMBLY, AND FULFILLEMENT.
ALL SURFACES AND AREAS ARE AVAILABLE FOR CNC ALTERATION BY NEW AGE ENCLOSURES
CALL (805) 595-1310 FOR PRICING AND SCHEDULE.
THE INSIDE RADIUS OF ANY MACHINED FEATURES SHOULD BE NO SMALLER THAN .031"



SCALE 0.500



SXX-784114X-XXX COVER - ABS, BLACK

STEP NO	DESCRIPTION	CUTTER	FIXTURE	ORIENTATION	PROGRAM
1	-	T2 = .062" EM	118	-	-
2	-	T2 = .062" EM	118	-	-
3	-	T2 = .062" EM	118	-	-

TOLERANCES: UNLESS OTHERWISE SPECIFIED DIMENSIONS ARE IN U.S. INCHES: X.XX = .015 X.XXXX = .001 X.XXX = .010 X.X° = 1°		
NEW AGE ENCLOSURES		
Customer's Part No: 784114		

NEW AGE ENCLOSURES

4330 Santa Fe Road San Luis Obispo, CA. 93401
ph. (805) 595-1310 fax (805) 595-1024
www.newageenclosures.com

STANDARD LRG HANDHELD
SXX-784114 ASSEMBLY

APPROVAL	BY	DATE			
CHECK					
ENG.					
SCALE	AS NOTED				
DRAWN BY	M BOYER		08-Jul-04	SIZE	DRAWING NAME
				A	784114_R5_2
				SHEET	REV.DOC
				7 OF 7	5.2

X-ON Electronics

Largest Supplier of Electrical and Electronic Components

Click to view similar products for [Enclosures, Boxes & Cases](#) category:

Click to view products by [New Age](#) manufacturer:

Other Similar products are found below :

[585-R-WH-PK](#) [M-10-PLATED](#) [60221-01](#) [60566-01-000](#) [HPL-9VB BATT DOOR](#) [M18-PLTD](#) [M-21-PLATED](#) [63310-01-000](#) [6711GSKT](#)
[71884-29-028](#) [LH45-100 Black](#) [72868-510-000](#) [CNS-0000 Black](#) [72883-510-000](#) [CNS-0101 Black](#) [72906-510-000](#) [CNS-0407 Black](#) [73092-](#)
[510-000](#) [CNM-0101 Black](#) [73105-510-000](#) [CNL-0101 Black](#) [73108-510-000](#) [CNL-0303 Black](#) [73395-510-039](#) [CNS-0006 Bone](#) [74257-510-000](#)
[CNL-0004](#) [MDC-1183-PLAIN-ALUM](#) [MDC-1183-PTD](#) [MDC-13104-PTD](#) [MDC-321-PTD](#) [MDC-973-PTD](#) [76](#) [77153-01-028](#) [FLX6030](#)
[83535-01-508](#) [90026-501-000](#) [PS36-200](#) [116-508](#) [120-407](#) [120-910](#) [127-908](#) [130-008](#) [1301170079](#) [1322GSKTEP](#) [1325GSKT3](#) [138-PLAIN](#)
[1434-1210](#) [EAS-500 \(BLACK ANO\)](#) [1804RP-RB-PK](#) [190-005](#) [2202307](#) [KAB3321 BLACK](#) [KAB3421](#) [2697466](#) [S52213](#) [2901123](#) [2901699](#)
[A0645271](#) [A20P20](#) [2106-IR](#)