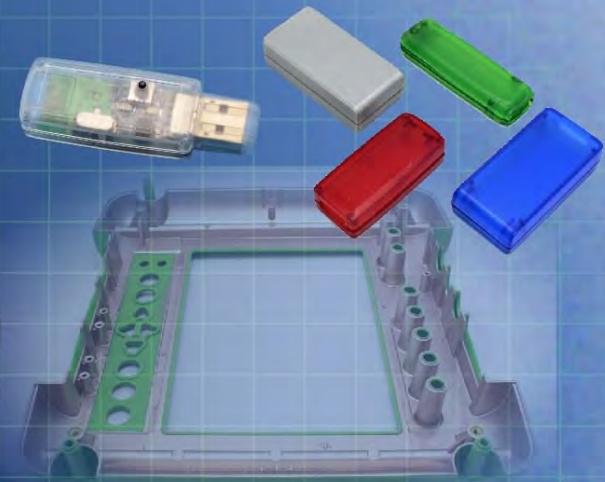
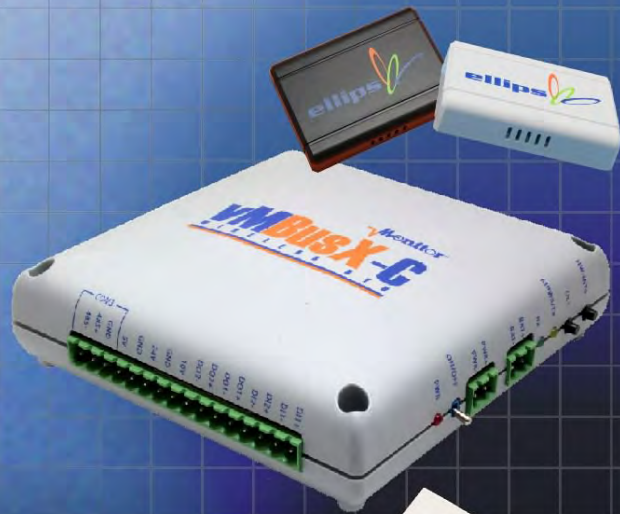


Ordering a market-ready enclosure® is made fast and affordable with our complete in-house capabilities. New Age provides machined openings to fit your PCB, pad printing for your graphics, custom enclosures, custom colors, final assembly, testing and fulfillment services to save you additional time and money. Ask your representative for a free quote today 805-595-1310.

Fast and Affordable Customization

**CNC Modifications
Pad Printing
Colored Resins
EMI/RF Shielding
Custom Enclosure
Assembly & Testing**



ISO quality
off-the-shelf
to market-ready®

NEW AGE ENCLOSURES

www.NewAgeEnclosures.com

4330 Santa Fe Road • San Luis Obispo, CA 93401 • T 805.595.1310 • F 805.595.1024

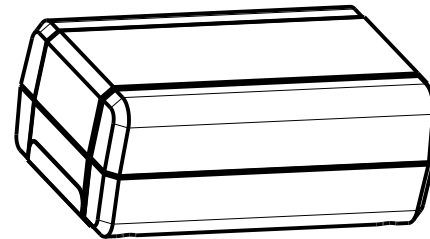
NOTES: UNLESS OTHERWISE SPECIFIED

1. CORNERS DRAWN SHARP TO BE R.005 MAXIMUM.
2. EXTERIOR SURFACE TEXTURE TO BE LIGHT EDM FINISH. EQUIVALENT TO MT-11020.
3. INTERIOR SURFACE TEXTURE TO BE: NONE
4. ALL INSIDE RADII .010R. ALL OUTSIDE RADII .020R MAX, UNLESS OTHERWISE SPECIFIED.
5. ALL EXTERNAL DIMENSIONS AFFECTED BY THE DRAFT APPLY AT THE LARGE END OF THE FEATURE, AND ALL INTERNAL FEATURES AFFECTED BY THE DRAFT APPLY AT THE SMALL END OF THE FEATURE UNLESS OTHERWISE SPECIFIED.
6. 1 DEGREE DRAFT IN THE DIRECTION OF PULL IS PERMISSIBLE UNLESS OTHERWISE SPECIFIED.
7. MATERIAL / COLOR: ABS PLASTIC IS STANDARD IN BLACK OR WHITE. CUSTOM MATERIALS AND COLORS ARE AVAILABLE UPON REQUEST FOR QUOTE.
8. PCB SIZES ARE RECOMMENDATIONS ONLY. FINAL SIZES AND VERIFICATION OF ITS FIT ARE THE SOLE RESPONSIBILITY OF EACH CUSTOMER.
9. ASSEMBLY HARDWARE PROVIDED. BATTERY CONTACTS SOLD SEPERATELY
10. THIS DRAWING IS BASED ON A SOLID MODEL, AND IS FURTHER DEFINED BY THE SOLID MODEL FILE.

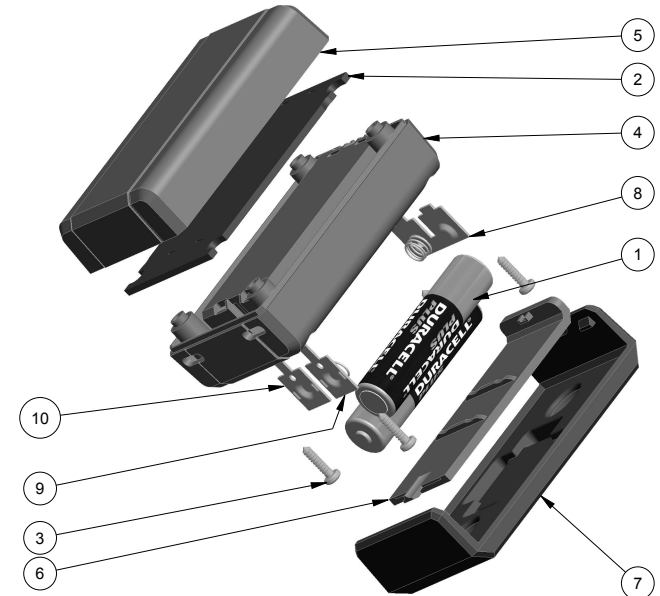
R E V I S I O N

| REV. | DRAWN BY | ECO No | DESCRIPTION | DATE | APPROVED |
|------|----------|--------|---|-------------|----------|
| 1 | M BOYER | | PRELIMINARY RELEASE | 16-Mar-2009 | D.C. |
| 2 | M BOYER | 2109 | UPDATE MODEL, ADD DRAFT AND FORMAT | 18-Apr-2009 | D.C. |
| 3 | M BOYER | 4309 | ADD SURFACE CALLOUT AND MODIFY HATCH | 14-Dec-2009 | D.C. |
| 3.1 | M BOYER | 0710 | UPDATE FORMAT | 20-Mar-2010 | D.C. |
| 4.0 | M BOYER | 1210 | ADD CORING IN REAR | 04-May-2010 | D.C. |
| 4.1 | M BOYER | 2810 | UPDATE VIEWS AND 2ND-OP PAGE | 28-Jul-2010 | D.C. |
| 5.0 | R CRUZ | 7713 | ADD "TALL" CONFIGURATION | 01-Nov-2013 | D.C. |
| 6.0 | R CRUZ | 2214 | INCLUDE WALL CRADLE OPTION | 19-May-2014 | D.C. |
| 7.0 | M BOYER | 0814 | CHANGE TEXTURE CALLOUT | 21-May-2014 | D.C. |
| 7.1 | R CRUZ | 0361 | UPDATE WALL CRADLE DIMENSIONS TO AS BUILT | 18-Jun-2014 | D.C. |
| 8.0 | M BOYER | 5214 | REMOVE TALL CONFIG AND INCLUDE PCB NOTCH | 15-Dec-2014 | |

| 251510(x) CONFIGURATIONS | | | |
|--------------------------|--------|----|-----|
| | -Blank | -K | -WP |
| 251510 COVER | 1 | 1 | |
| 251510 BASE | 1 | | |
| 251510 MACHINED BASE | | 1 | |
| 251510 HATCH | 1 | 1 | |
| 251510 WALL CRADLE | | 1 | 1 |
| #2 HILO SCREW .375" | 4 | 4 | |



STANDARD 251510
SCALE 0.750



EXPLODED VIEW 251510K
SCALE 0.600

| 10 | AAA-SINGL-CONTACT-POS | ACC-AAAPOS-5226 | SPRING STEEL | SOLD SEPERATELY | 1 |
|------|-----------------------|-------------------------------|-------------------|-----------------|------|
| 9 | AAA-SINGL-CONTACT-NEG | ACC-AAANEG-5204 | SPRING STEEL | SOLD SEPERATELY | 1 |
| 8 | AAA-DBL-CONTACT | ACC-AAADBL-5214L | SPRING STEEL | SOLD SEPERATELY | 1 |
| 7 | 251510_WALL-CRADLE | 251510 WALL CRADLE - STANDARD | ABS | BLACK or WHITE | 1 |
| 6 | 251510_HATCH | 251510 HATCH - STANDARD | ABS | BLACK or WHITE | 1 |
| 5 | 251510_COVER | 251510 COVER - STANDARD | ABS | BLACK or WHITE | 1 |
| 4 | 251510_BASE | 251510 BASE - STANDARD | ABS | BLACK or WHITE | 1 |
| 3 | NO_2_HI-LO_SCREW | No2 HI-LO x .375" | STEEL | 3/8" LONG | 4 |
| 2 | 251510_PCB | REFERENCE ONLY | CUSTOMER SUPPLIED | .062" THICK | 1 |
| 1 | AAA-BATTERY | REFERENCE ONLY | CUSTOMER SUPPLIED | "AAA" SIZE | 2 |
| ITEM | FILE NAME | DESCRIPTION | MATERIAL | COLOR | QTY. |

BILL OF MATERIALS

THIRD ANGLE PROJECTION
DO NOT SCALE DRAWING

TOLERANCES: UNLESS OTHERWISE SPECIFIED
DIMENSIONS ARE IN U.S. INCHES.
X.XX = .015 X.XXXX = .001
X.XXX = .010 X.X" = 1°

NEW AGE ENCLOSURES
4330 Santa Fe Road San Luis Obispo, CA. 93401
ph. (805) 595-1310 fax (805) 595-1024
www.newageenclosures.com

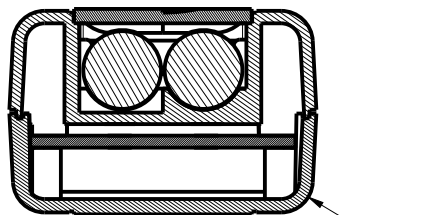
Customer's Part No: 251510

| APPROVAL | BY | DATE |
|----------|-------------|------|
| CHECK | | |
| ENG. | | |
| SCALE | AS NOTED | |
| DRAWN BY | M BOYER | |
| | 16-Mar-2009 | |

**STANDARD - MINI AAA
SXX-251510X ASSEMBLY**

| SIZE | DRAWING NAME | SHEET | REV.DOC |
|------|--------------|--------|---------|
| A | 251510_R8_0 | 1 OF 8 | 8.0 |

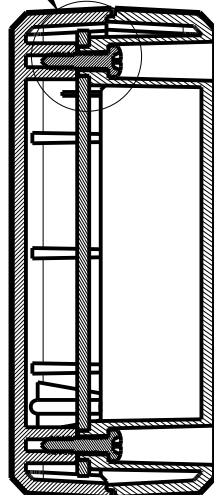
SECTION C-C



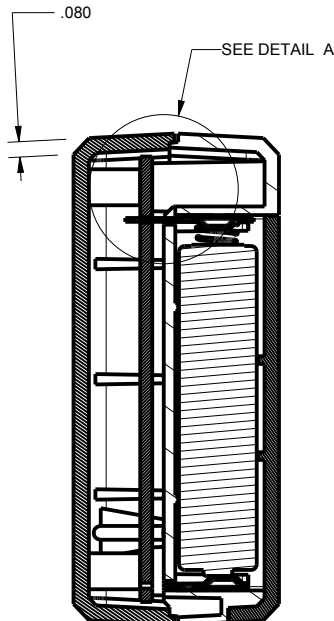
R.165

P ← F ←

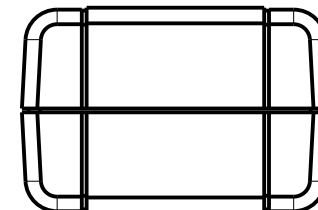
SEE DETAIL B



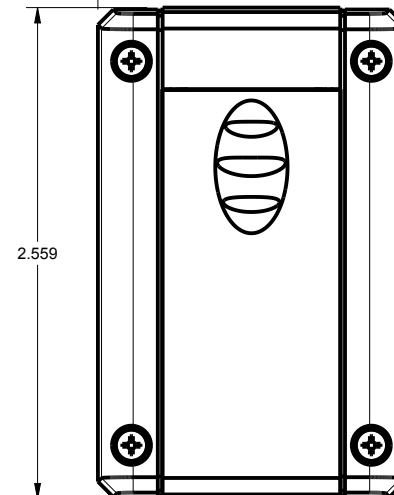
SECTION F-F



SECTION P-P



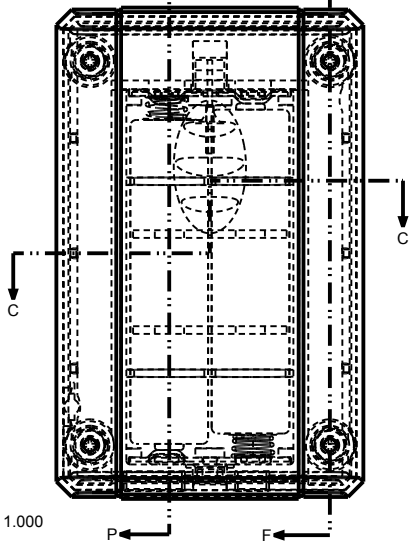
1.599



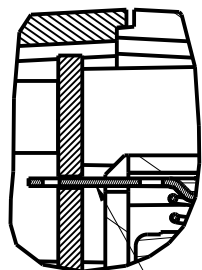
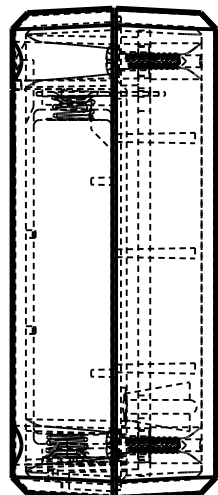
2.559

.925

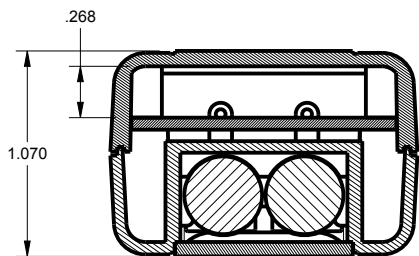
SCALE 1.000



P ← F ←



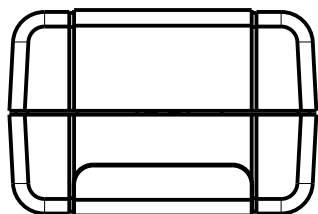
DETAIL A
SCALE 2.000



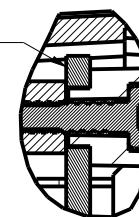
SECTION Y-Y

1.070

.268



PCB CAPTURED



DETAIL B
SCALE 2.000

NOTE: BATTERY CONTACT TABS CAN BE PUSHED THROUGH THE PCB AND SOLDERED TO THE SURFACE OR THE TAB CAN BE BENT BACK AT 90° AND WIRED.

TOLERANCES: UNLESS OTHERWISE SPECIFIED
DIMENSIONS ARE IN U.S. INCHES.
X.XX = .015 X.XXXX = .001
X.XXX = .010 X.X° = 1°

NEW AGE ENCLOSURES

Customer's Part No: 251510

APPROVAL BY DATE

CHECK

ENG.

SCALE AS NOTED

DRAWN BY M BOYER 16-Mar-2009

NEW AGE ENCLOSURES

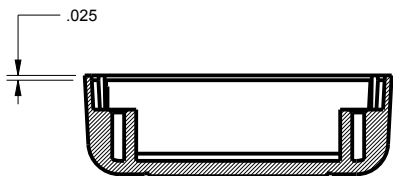
4330 Santa Fe Road San Luis Obispo, CA. 93401
ph. (805) 595-1310 fax (805) 595-1024
www.newageenclosures.com

**STANDARD - MINI AAA
SXX-251510X ASSEMBLY**

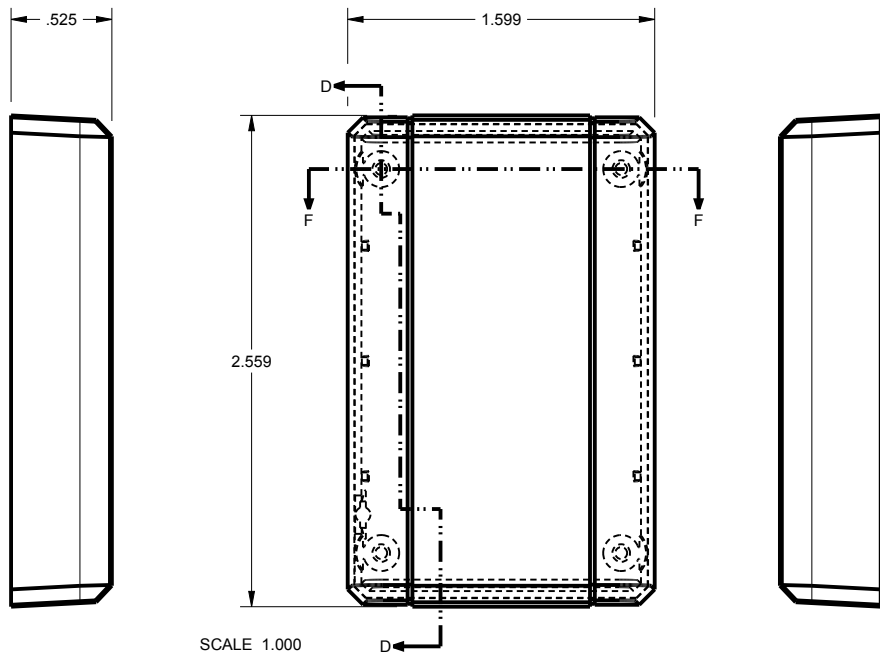
SIZE A DRAWING NAME 251510_R8_0

SHEET 2 OF 8 REV.DOC 8.0

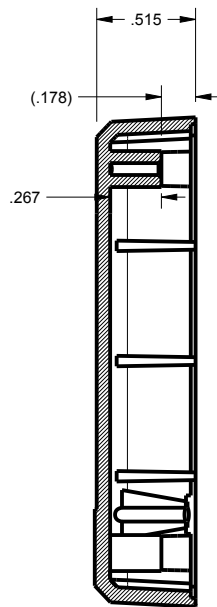
S251510 - COVER



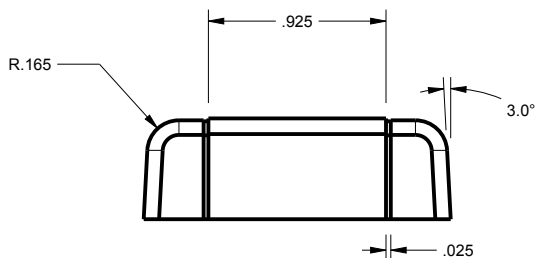
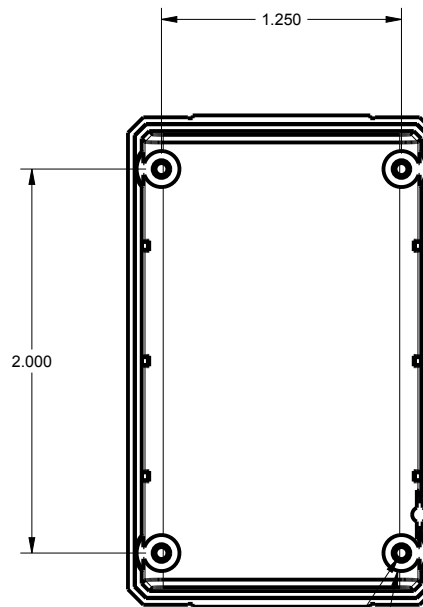
SECTION F-F



SCALE 1.000



251510 STANDARD SECTION D-D



TOLERANCES: UNLESS OTHERWISE SPECIFIED
DIMENSIONS ARE IN U.S. INCHES.
X.XX = .015 X.XXXX = .001
X.XXX = .010 X.X° = 1°

NEW AGE ENCLOSURES
Customer's Part No: 251510

| | | |
|----------|----------|------|
| APPROVAL | BY | DATE |
| CHECK | | |
| ENG. | | |
| SCALE | AS NOTED | |

DRAWN BY
M BOYER

16-Mar-2009

NEW AGE ENCLOSURES

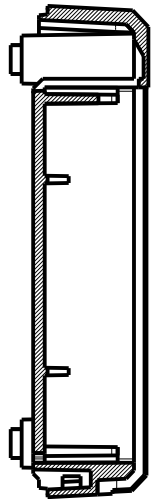
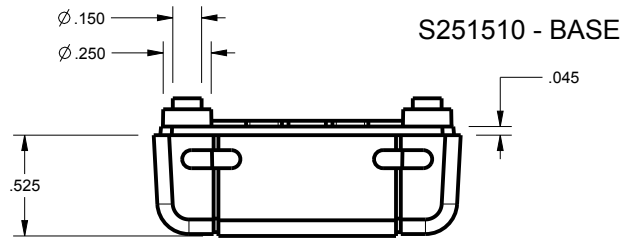
4330 Santa Fe Road San Luis Obispo, CA. 93401
ph. (805) 595-1310 fax (805) 595-1024
www.newageenclosures.com

**STANDARD - MINI AAA
SXX-251510X ASSEMBLY**

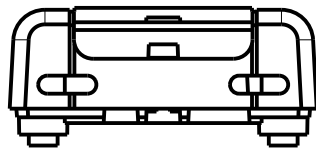
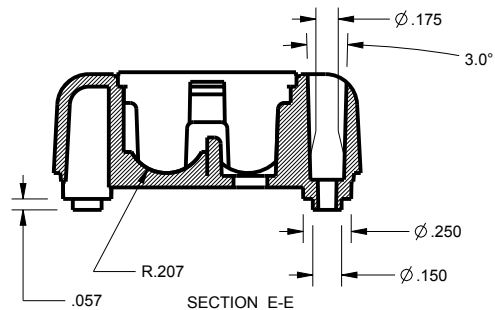
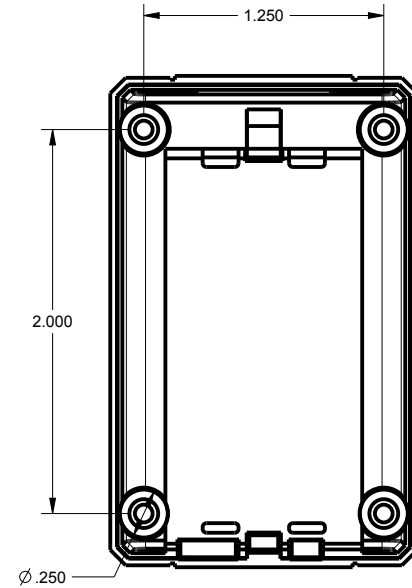
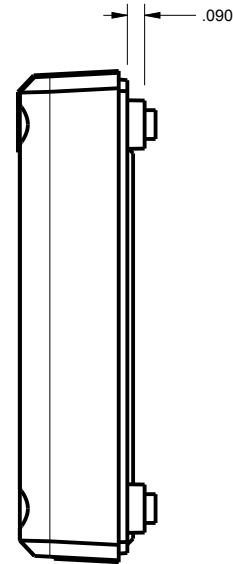
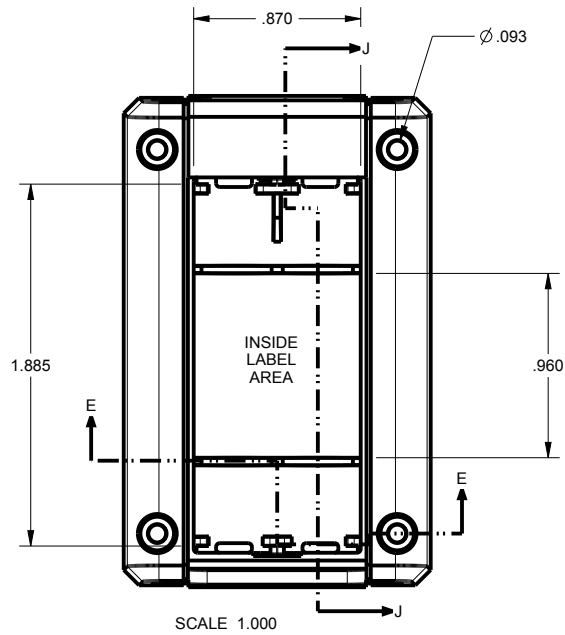
SIZE
A 251510_R8_0

SHEET
3 OF 8

REV.DOC
8.0



SECTION J-J



TOLERANCES: UNLESS OTHERWISE SPECIFIED
DIMENSIONS ARE IN U.S. INCHES.
X.XX = .015 X.XXXX = .001
X.XXX = .010 X.X° = 1°

NEW AGE ENCLOSURES

Customer's Part No: 251510

APPROVAL BY DATE

CHECK

ENG.

SCALE AS NOTED

DRAWN BY M BOYER 16-Mar-2009

NEW AGE ENCLOSURES

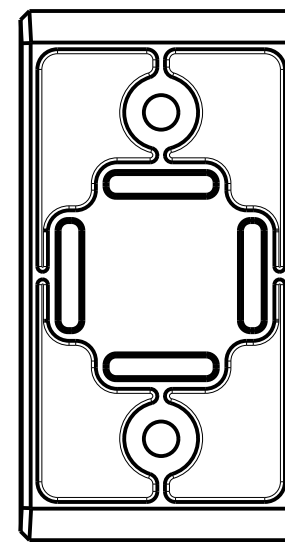
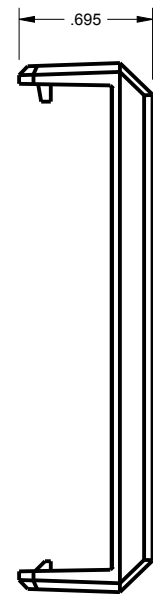
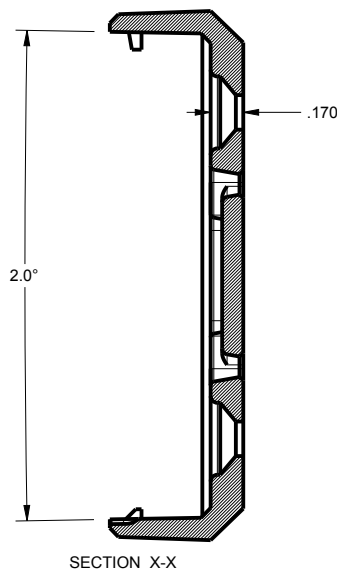
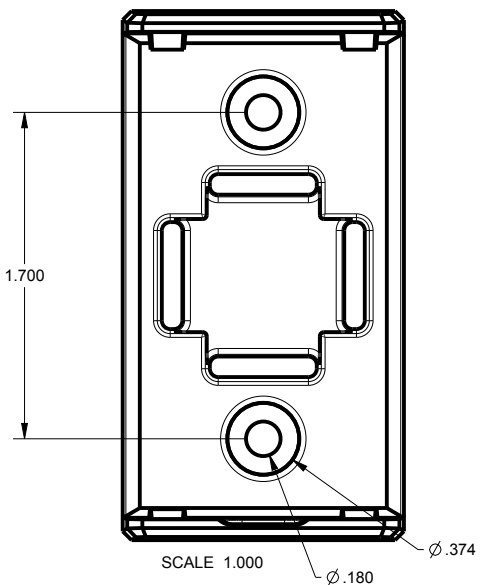
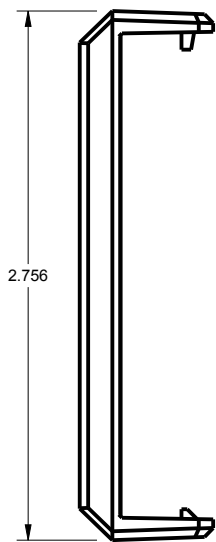
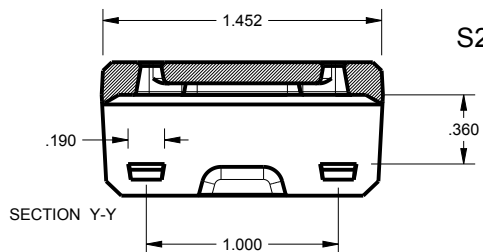
4330 Santa Fe Road San Luis Obispo, CA. 93401
ph. (805) 595-1310 fax (805) 595-1024
www.newageenclosures.com

STANDARD - MINI AAA
SXX-251510X ASSEMBLY

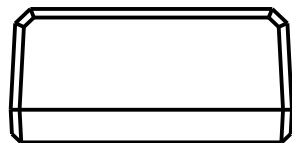
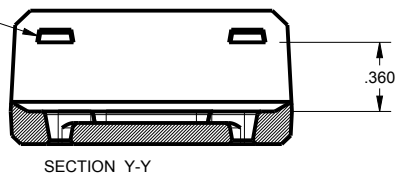
SIZE A DRAWING NAME 251510_R8_0

SHEET 4 OF 8 REV.DOC 8.0

S251510 - WALL CRADLE



2nd OPERATION REQUIRED
ON 251510 BASE
TO ACCEPT CRADLE TABS



TOLERANCES: UNLESS OTHERWISE SPECIFIED
DIMENSIONS ARE IN U.S. INCHES.
X.XX = .015 X.XXXX = .001
X.XXX = .010 X.X° = 1°

NEW AGE ENCLOSURES
Customer's Part No: 251510

| | | |
|----------|----------|------|
| APPROVAL | BY | DATE |
| CHECK | | |
| ENG. | | |
| SCALE | AS NOTED | |

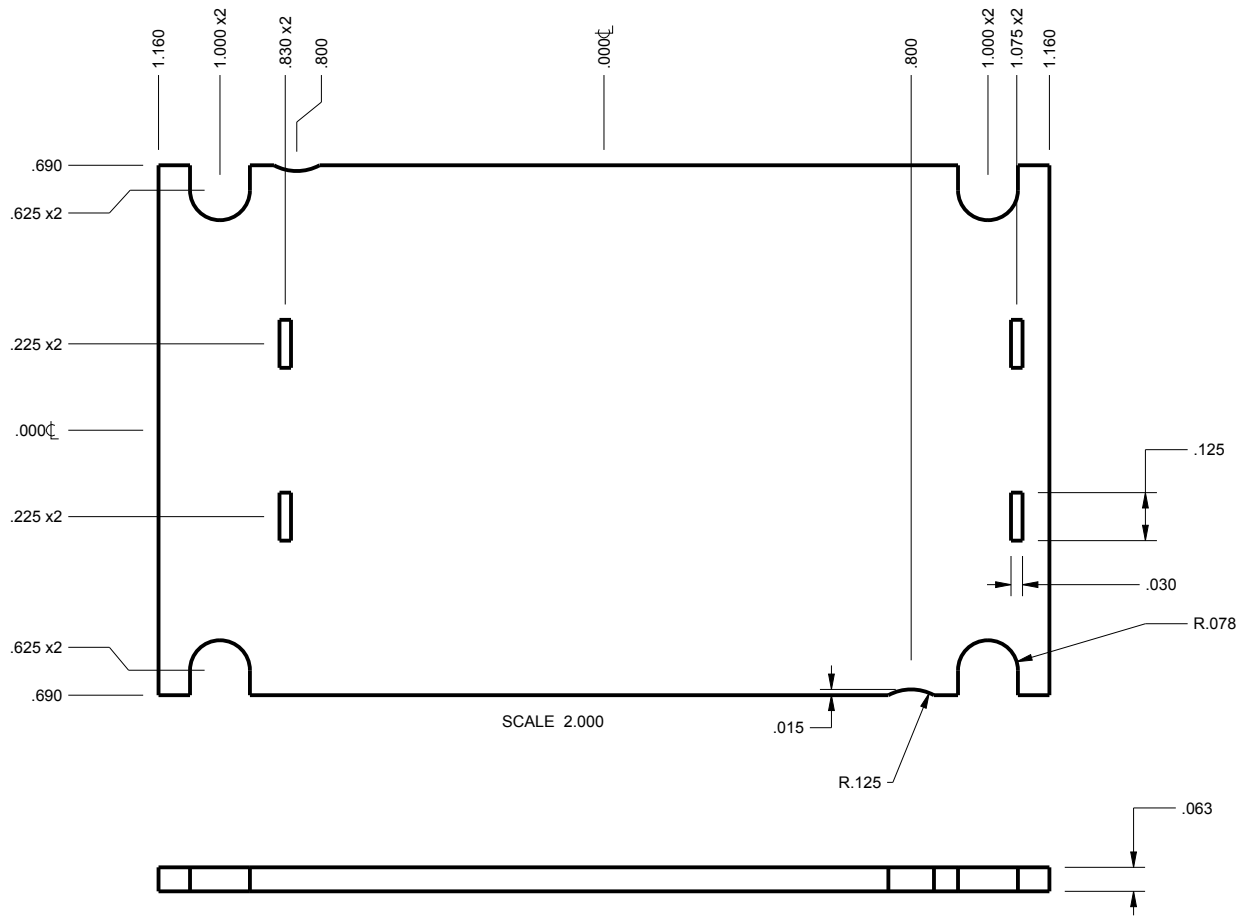
| | |
|----------|-------------|
| DRAWN BY | 16-Mar-2009 |
| M BOYER | |

NEW AGE ENCLOSURES
4330 Santa Fe Road San Luis Obispo, CA. 93401
ph. (805) 595-1310 fax (805) 595-1024
www.newageenclosures.com

STANDARD - MINI AAA
SXX-251510X ASSEMBLY

| | | | |
|------|--------------|--------|---------|
| SIZE | DRAWING NAME | SHEET | REV.DOC |
| A | 251510_R8_0 | 5 OF 8 | 8.0 |

S251510 - PCB



SCALE 2.000

NOTE
1. BATTERY CONNECTION POINTS SHOWN AT BOTH ENDS
TO ALLOW ALTERNATE ASSEMBLY OPTION.

TOLERANCES: UNLESS OTHERWISE SPECIFIED
DIMENSIONS ARE IN U.S. INCHES.
X.XX = .015 X.XXXX = .001
X.XXX = .010 X.X° = 1°

NEW AGE ENCLOSURES

Customer's Part No: 251510

APPROVAL BY DATE

CHECK

ENG.

SCALE AS NOTED

DRAWN BY M BOYER 16-Mar-2009

NEW AGE ENCLOSURES

4330 Santa Fe Road San Luis Obispo, CA. 93401
ph. (805) 595-1310 fax (805) 595-1024
www.newageenclosures.com

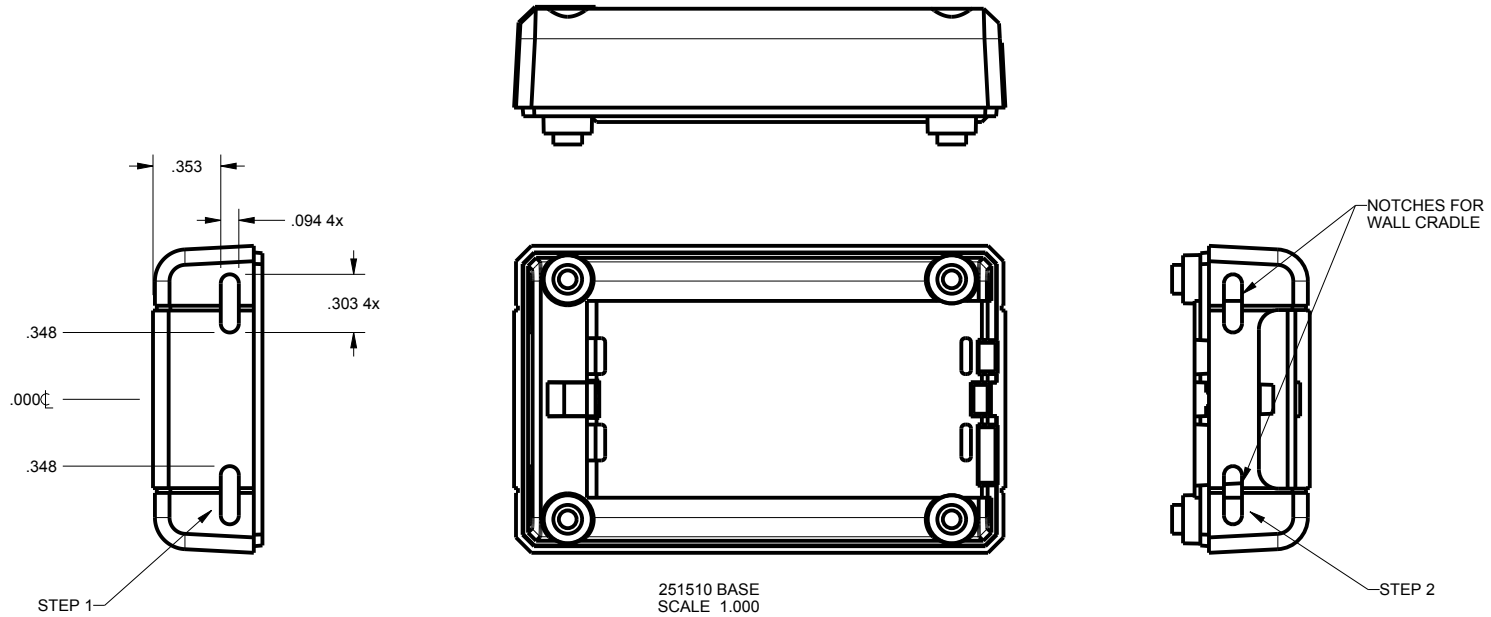
**STANDARD - MINI AAA
SXX-251510X ASSEMBLY**

SIZE A DRAWING NAME 251510_R8_0

SHEET 6 OF 8 REV.DOC 8.0

2nd OPERATION DETAILS (PAGE 1 OF 2)

NEW AGE ENCLOSURES DELIVERS YOUR ENCLOSURE MARKET-READY WITH IN-HOUSE
CNC MACHINING, PAD PRINTING, ASSEMBLY, AND FULFILLMENT.
ALL SURFACES AND AREAS ARE AVAILABLE FOR CNC ALTERATION BY NEW AGE ENCLOSURES
CALL (805) 595-1310 FOR PRICING AND SCHEDULE.
THE INSIDE RADIUS OF ANY MACHINED FEATURES SHOULD BE NO SMALLER THAN .031"

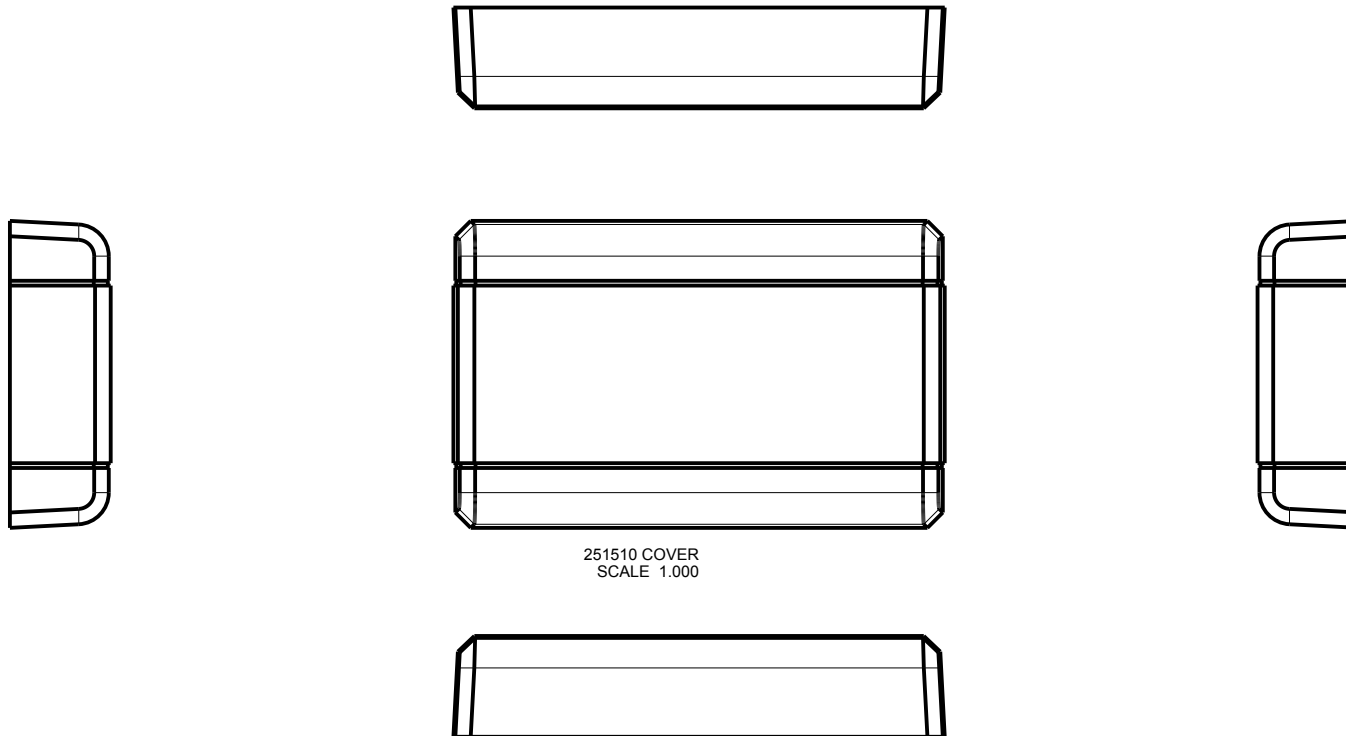


| SXX-251510X-XXX BASE - ABS, BLACK | | | | | |
|-----------------------------------|----------------|---------------|---------|-------------|---------|
| STEP NO | DESCRIPTION | CUTTER | FIXTURE | ORIENTATION | PROGRAM |
| 1-B-C1 | CRADLE NOTCHES | T2 = .062" EM | 190 | SINGLE | - |
| 2-B-C2 | CRADLE NOTCHES | T2 = .062" EM | 190 | SINGLE | - |

| | | | | | | |
|---|----|----------------------------|--|--|--------------|--|
| TOLERANCES: UNLESS OTHERWISE SPECIFIED DIMENSIONS ARE IN U.S. INCHES. X.XX = .015 X.XXXX = .001 X.XXX = .010 X.X° = 1° | | NEW AGE ENCLOSURES | | 4330 Santa Fe Road San Luis Obispo, CA. 93401 ph. (805) 595-1310 fax (805) 595-1024 www.newageenclosures.com | | |
| NEW AGE ENCLOSURES | | Customer's Part No: 251510 | | STANDARD - MINI AAA SXX-251510X ASSEMBLY | | |
| APPROVAL | BY | DATE | | | | |
| CHECK | | | | | | |
| ENG. | | | | | | |
| SCALE | | AS NOTED | | | | |
| DRAWN BY | | 16-Mar-2009 | | SIZE | DRAWING NAME | |
| M BOYER | | | | A | 251510_R8_0 | |
| | | | | SHEET | REV.DOC | |
| | | | | 7 OF 8 | 8.0 | |

2nd OPERATION DETAILS (PAGE 2 OF 2)

NEW AGE ENCLOSURES DELIVERS YOUR ENCLOSURE MARKET-READY WITH IN-HOUSE
CNC MACHINING, PAD PRINTING, ASSEMBLY, AND FULFILLMENT.
ALL SURFACES AND AREAS ARE AVAILABLE FOR CNC ALTERATION BY NEW AGE ENCLOSURES
CALL (805) 595-1310 FOR PRICING AND SCHEDULE.
THE INSIDE RADIUS OF ANY MACHINED FEATURES SHOULD BE NO SMALLER THAN .031"



251510 COVER
SCALE 1.000

TOLERANCES: UNLESS OTHERWISE SPECIFIED
DIMENSIONS ARE IN U.S. INCHES.
X.XX = .015 X.XXXX = .001
X.XXX = .010 X.X° = 1°

NEW AGE ENCLOSURES

Customer's Part No: 251510

NEW AGE ENCLOSURES

4330 Santa Fe Road San Luis Obispo, CA. 93401
ph. (805) 595-1310 fax (805) 595-1024

www.newageenclosures.com

| | | |
|----------|-------------|------|
| APPROVAL | BY | DATE |
| CHECK | | |
| ENG. | | |
| SCALE | AS NOTED | |
| DRAWN BY | | |
| M BOYER | 16-Mar-2009 | |

**STANDARD - MINI AAA
SXX-251510X ASSEMBLY**

| | | | |
|------|--------------|--------|---------|
| SIZE | DRAWING NAME | SHEET | REV.DOC |
| A | 251510_R8_0 | 8 OF 8 | 8.0 |

SXX-251510X-XXX COVER - ABS, BLACK

| STEP NO | DESCRIPTION | CUTTER | FIXTURE | ORIENTATION | PROGRAM |
|---------|-------------|---------------|---------|-------------|---------|
| 1-C-C1 | - | T2 = .062" EM | 190 | - | - |
| 2-C-C2 | - | T2 = .062" EM | 190 | - | - |

X-ON Electronics

Largest Supplier of Electrical and Electronic Components

Click to view similar products for [Battery Enclosures](#) category:

Click to view products by [New Age](#) manufacturer:

Other Similar products are found below :

[67257-01](#) [2508010](#) [19400201](#) [CLP.3](#) [U080](#) [HH-3440-TS](#) [MB 12225](#) [MF-001DG](#) [FP 10674](#) [FP 22046](#) [18200201](#) [TF 28037](#) [UH-3](#) [MRS](#)
[28541](#) [BHM-4A3](#) [BHF-4A3](#) [BHF-3A3](#) [FI-17 GY](#) [72002001](#) [72002101](#) [72002201](#) [72002301](#) [8120843](#) [8120845](#) [P33070300](#) [35111005](#)
[35111016](#) [AH NEW ALU HINGE](#) [FI-17/BK](#) [MRS 28540](#) [19400101](#) [1518020](#) [8120841](#) [DS 10581](#) [CLY.9](#) [MB 10674](#) [8120840](#) [8120842](#)
[8120844](#) [8120846](#) [FP 12017](#) [22010000](#) [CL1 N](#) [ATBATTERY-CASE-2AAA](#) [ATBATTERY-CASE-4AAA](#) [HH-3442-C](#) [HH-3450-C](#) [HH-](#)
[3451-TL](#) [BX0123](#) [MB 20064 SET](#)