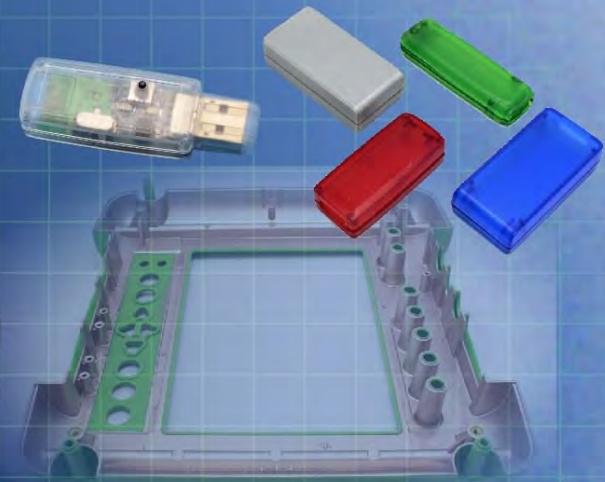
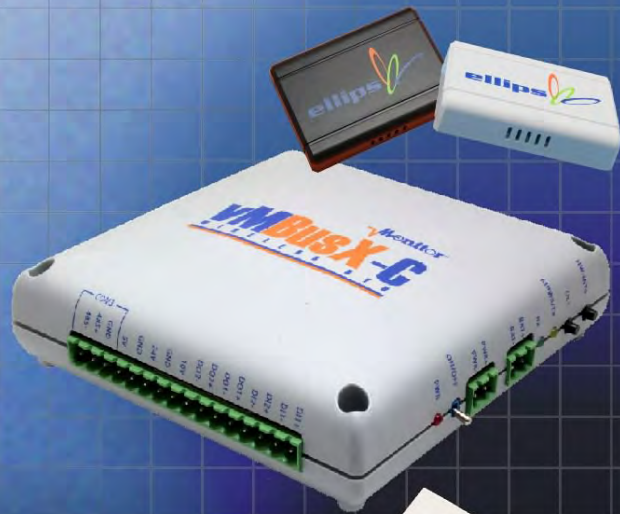


Ordering a market-ready enclosure® is made fast and affordable with our complete in-house capabilities. New Age provides machined openings to fit your PCB, pad printing for your graphics, custom enclosures, custom colors, final assembly, testing and fulfillment services to save you additional time and money. Ask your representative for a free quote today 805-595-1310.

Fast and Affordable Customization

**CNC Modifications
Pad Printing
Colored Resins
EMI/RF Shielding
Custom Enclosure
Assembly & Testing**



ISO quality
off-the-shelf
to market-ready®

NEW AGE ENCLOSURES

www.NewAgeEnclosures.com

4330 Santa Fe Road • San Luis Obispo, CA 93401 • T 805.595.1310 • F 805.595.1024

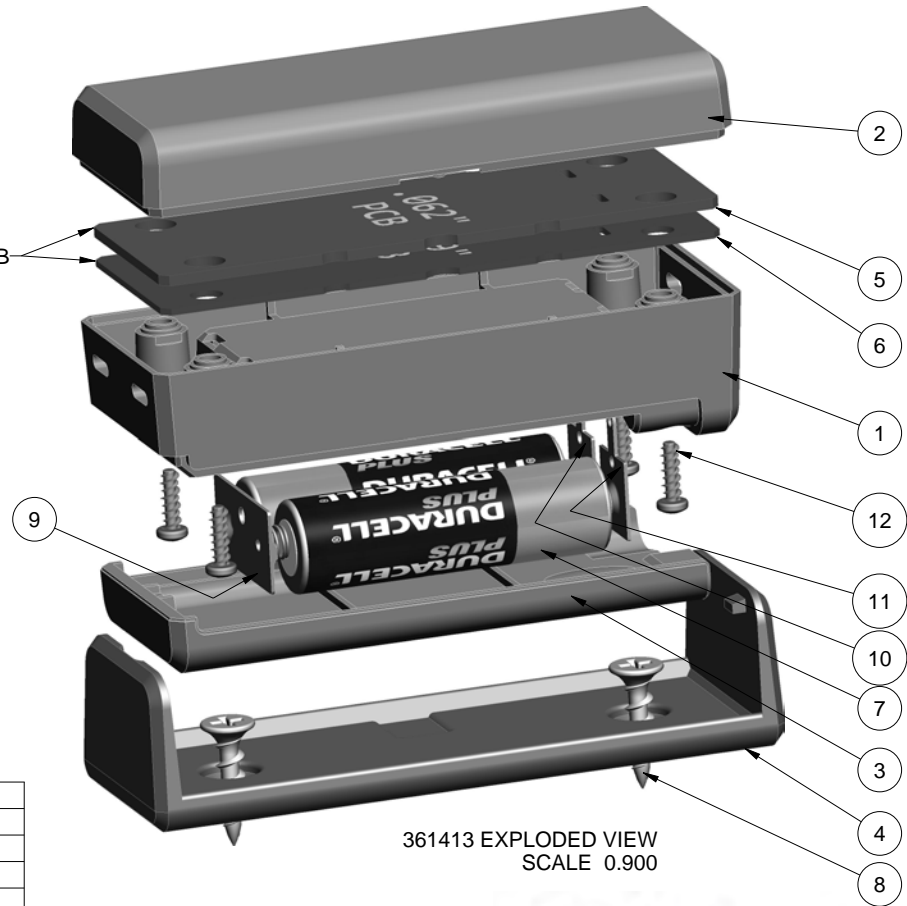
NOTES: UNLESS OTHERWISE SPECIFIED

- CORNERS DRAWN SHARP TO BE R.005 MAXIMUM.
- EXTERIOR SURFACE TEXTURE TO BE LIGHT EDM FINISH. EQUIVELANT TO MT-11006.
- INTERIOR SURFACE TEXTURE TO BE: B2.
- ALL INSIDE RADII .010R. UNLESS OTHERWISE SPECIFIED.
- ALL EXTERNAL DIMENSIONS AFFECTED BY THE DRAFT APPLY AT THE LARGE END OF THE FEATURE, AND ALL INTERNAL FEATURES AFFECTED BY THE DRAFT APPLY AT THE SMALL END OF THE FEATURE UNLESS OTHERWISE SPECIFIED.
- 1 DEGREE DRAFT IN THE DIRECTION OF PULL IS PERMISSIBLE UNLESS OTHERWISE SPECIFIED.
- MATERIAL / COLOR: ABS PLASTIC IS STANDARD IN BLACK OR WHITE. CUSTOM MATERIALS AND COLORS ARE AVAILABLE UPON REQUEST FOR QUOTE.
- PCB SIZES ARE RECOMMENDATIONS ONLY. FINAL SIZES AND VERIFICATION OF ITS FIT ARE THE SOLE RESPONSIBILITY OF EACH OWNER.
- ASSEMBLY SCREWS FOR THE ENCLOSURE INCLUDED.
- THIS DRAWING IS BASED ON A SOLID MODEL, AND IS FURTHER DEFINED BY THE SOLID MODEL FILE.
- ALLOWABLE FLASH: 0.005 MAX.
- ALL EJECTOR PIN MARKS TO BE WITHIN 0.010" OF FLUSH, PROTRUDING OR BELOW FLUSH.
- TRIM GATE WITHIN 0.015" OF FLUSH.

REVISION

| REV. | DRAWN BY | ECO No | DESCRIPTION | DATE | APPR. |
|------|----------|--------|--|-------------|-------|
| A | M BOYER | | PRELIMINARY RELEASE | 2014-May-02 | D.C. |
| B | M BOYER | | REDUCE HEIGHT OF HATCH LIP | 2014-May-16 | D.C. |
| C | M BOYER | | INCREASE HEIGHT OF COVER .102 | 2014-Oct-07 | D.C. |
| D | M BOYER | | ADD .039" BOARD OPTION | 2014-Oct-21 | D.C. |
| E | M BOYER | | CLOSE UP BEAUTY RING AND ADD DRAWING DETAILS | 2014-Dec-01 | D.C. |
| 1.0 | R CRUZ | 0469 | UPDATE TO AS-BUILT AND RELEASE | 2015-Sep-03 | D.C. |
| 2.0 | M BOYER | 02016 | INCLUDE WALL CRADLE | 2016-Mar-21 | |

SHOWN WITH BOTH PCB
CHOOSE ONE

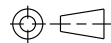


| 361413(x) CONFIGURATIONS | | | |
|-----------------------------|----------|----|----|
| | -[BLANK] | -K | -W |
| 361413 COVER | 1 | 1 | |
| 361413 BASE | 1 | | |
| 361413 BASE w/ WALL NOTCHES | | 1 | |
| 361413 BATTERY HATCH | 1 | 1 | |
| 361413 WALL CRADLE | | | 1 |
| #4 HiLo SCREW .375" | 4 | 4 | |

| ITEM | FILE NAME | DESCRIPTION | MATERIAL | COLOR | QTY. |
|------|----------------------|-------------------------------|----------------|-------------------|------|
| 12 | SCREW_HILO-N04X375 | #4 HiLo x .375" SCREW | ZINK PLATED | SOLD SEPARATELY | 4 |
| 11 | AA-SINGL-CONTACT-POS | ACC-AAPOS-5223 | SPRING STEEL | SOLD SEPARATELY | 1 |
| 10 | AA-SINGL-CONTACT-NEG | ACC-AANEG-5201 | SPRING STEEL | SOLD SEPARATELY | 1 |
| 9 | AA-DBL-CONTACT | ACC-AADBL-5212 | SPRING STEEL | SOLD SEPARATELY | 1 |
| 8 | SCREW-DRYWALLX750 | DRYWALL SCREW | REFERENCE ONLY | CUSTOMER SUPPLIED | 2 |
| 7 | BATTERY_AA | "AA" SIZE BATTERY | REFERENCE | CUSTOMER SUPPLIED | 2 |
| 6 | 361413-PCB_039 | 361413 .039" PCB - REFERENCE | 1 MM THICK | CUSTOMER SUPPLIED | 1 |
| 5 | 361413-PCB_062 | 361413 .062" PCB - REFERENCE | .062" THICK | CUSTOMER SUPPLIED | 1 |
| 4 | 361413-WALL | 361413 WALL CRADLE - STANDARD | ABS | BLACK or WHITE | 1 |
| 3 | 361413-HATCH | 361413 HATCH - STANDARD | ABS | BLACK or WHITE | 1 |
| 2 | 361413-COVER | 361413 COVER - STANDARD | ABS | BLACK or WHITE | 1 |
| 1 | 361413-BASE | 361413 BASE - STANDARD | ABS | BLACK or WHITE | 1 |

BILL OF MATERIALS

THIRD ANGLE PROJECTION



DO NOT SCALE DRAWING

TOLERANCES: UNLESS OTHERWISE SPECIFIED
DIMENSIONS ARE IN U.S. INCHES.
X.XX = .015 X.XXXX = .001
X.XXX = .010 X.X" = 1°

NEW AGE ENCLOSURES

Customer's Part No: 361413

APPROVAL BY DATE

CHECK ENG.

SCALE AS NOTED

DRAWN BY M BOYER 2014-May-02

NEW AGE ENCLOSURES

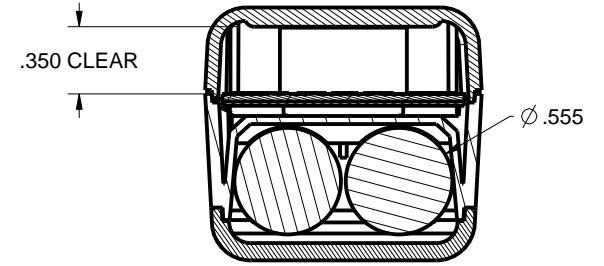
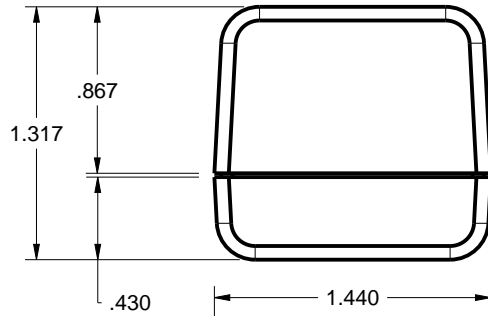
4330 Santa Fe Road San Luis Obispo, CA. 93401
ph. (805) 595-1310 fax (805) 595-1024

www.newageenclosures.com

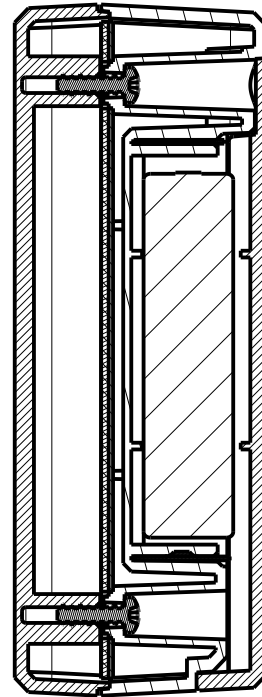
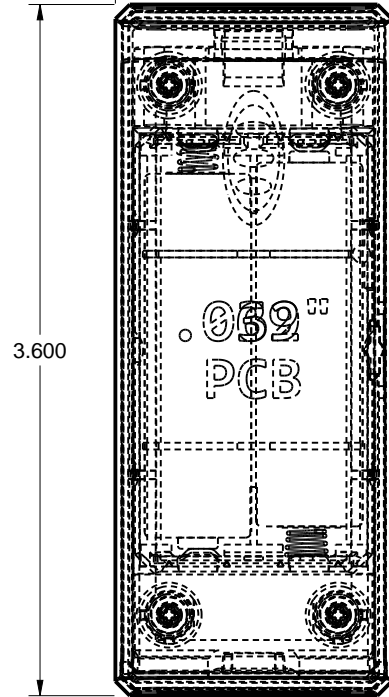
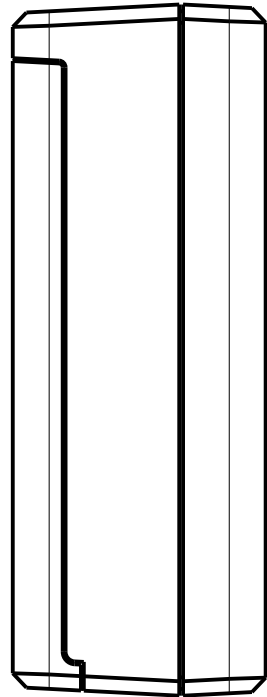
**COMPACT AA - STANDARD
SXX-361413X-XXX**

SIZE A DRAWING NAME 361413_R2_0 SHEET 1 OF 8 REV.DOC 2.0

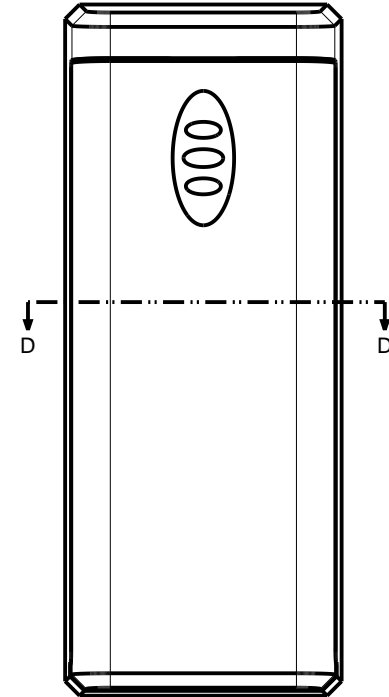
361413 ASSEMBLY



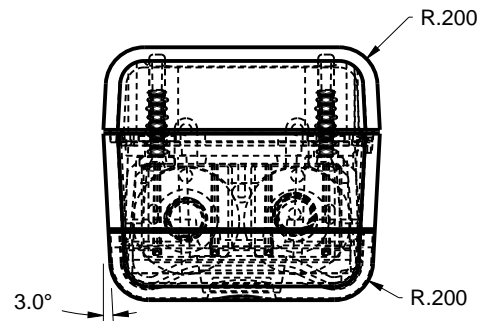
SECTION D-D



SECTION P-P



SCALE 1.000



TOLERANCES: UNLESS OTHERWISE SPECIFIED
DIMENSIONS ARE IN U.S. INCHES.
X.XX = .015 X.XXXX = .001
X.XXX = .010 X.X° = 1°

NEW AGE ENCLOSURES
Customer's Part No: 361413

| | | |
|----------|----------|------|
| APPROVAL | BY | DATE |
| CHECK | | |
| ENG. | | |
| SCALE | AS NOTED | |

DRAWN BY
M BOYER 2014-May-02

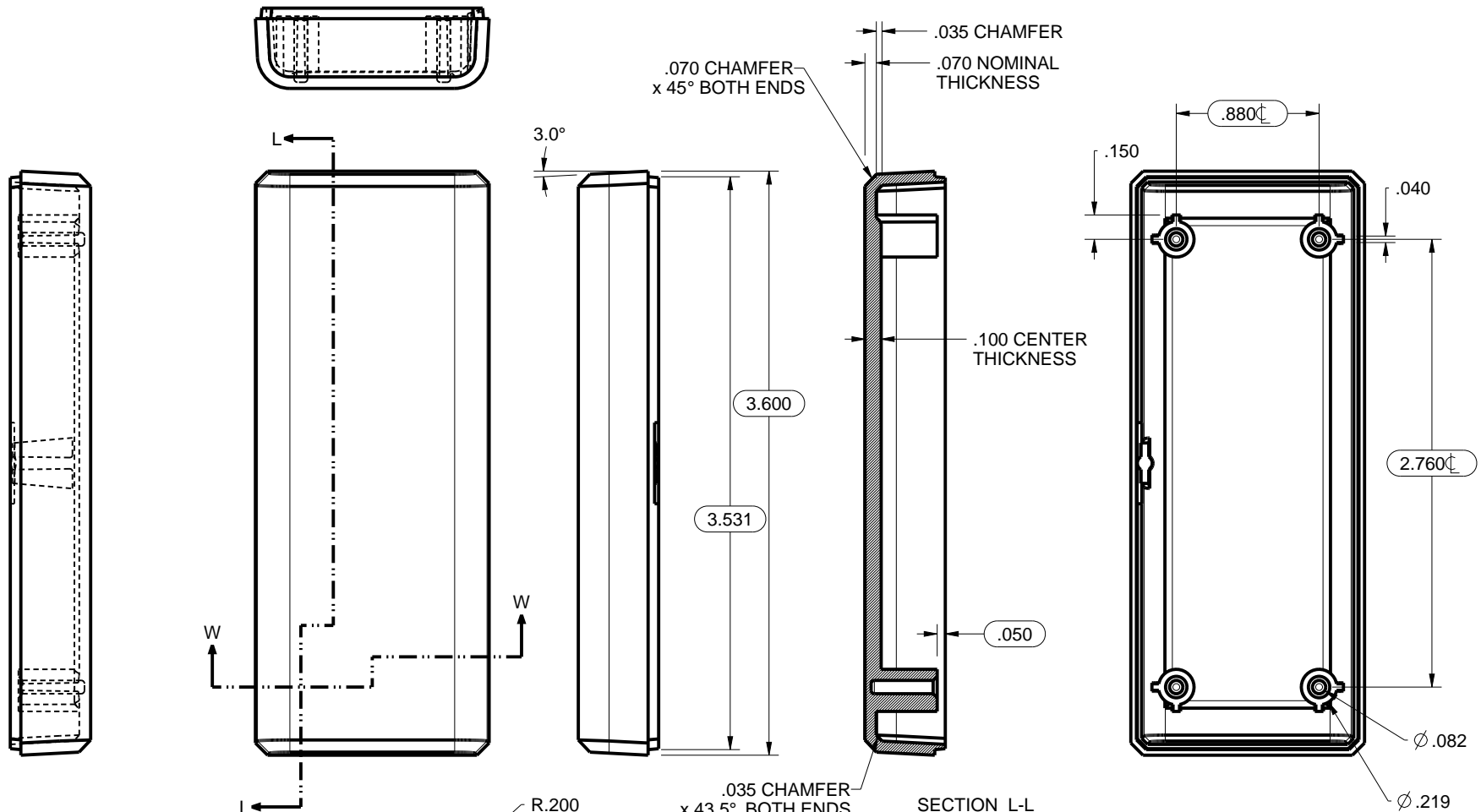
NEW AGE ENCLOSURES
4330 Santa Fe Road San Luis Obispo, CA. 93401
ph. (805) 595-1310 fax (805) 595-1024
www.newageenclosures.com

COMPACT AA - STANDARD
SXX-361413X-XXX

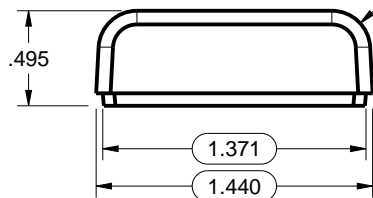
SIZE A DRAWING NAME 361413_R2_0

SHEET 2 OF 8 REV.DOC 2.0

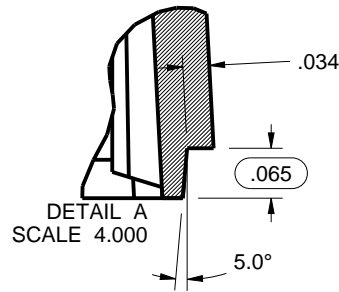
361413 COVER



SCALE 1.000



SECTION W-W



DETAIL A
SCALE 4.000

SEE DETAIL A

TOLERANCES: UNLESS OTHERWISE SPECIFIED
DIMENSIONS ARE IN U.S. INCHES.
X.XX = .015 X.XXXX = .001
X.XXX = .010 X.X° = 1°

NEW AGE ENCLOSURES

Customer's Part No: 361413

APPROVAL BY DATE

CHECK

ENG.

SCALE AS NOTED

DRAWN BY M BOYER 2014-May-02

NEW AGE ENCLOSURES

4330 Santa Fe Road San Luis Obispo, CA. 93401
ph. (805) 595-1310 fax (805) 595-1024
www.newageenclosures.com

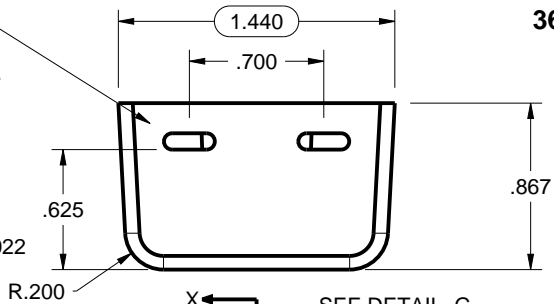
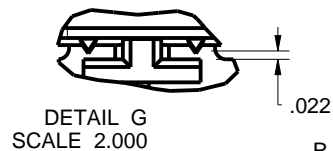
**COMPACT AA - STANDARD
SXX-361413X-XXX**

SIZE A DRAWING NAME 361413_R2_0

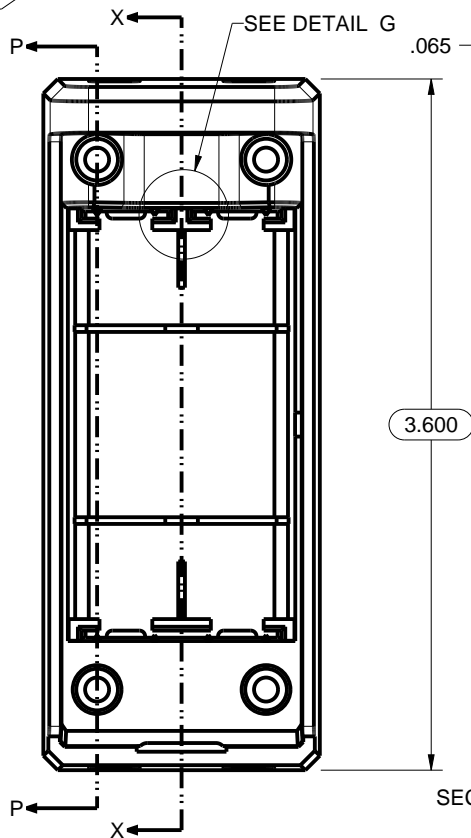
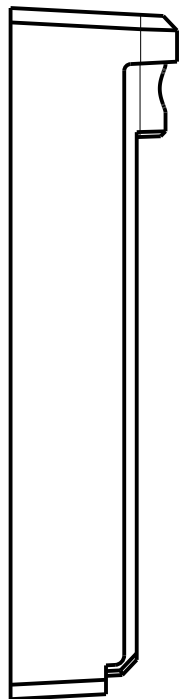
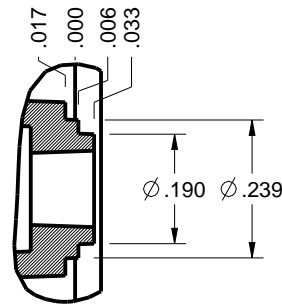
SHEET 3 OF 8 REV.DOC 2.0

361413 BASE

WALL MOUNTING HOLES
NOT PRESENT UNLESS
WALL CRADLE IS ORDERED.

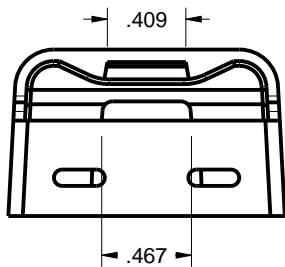
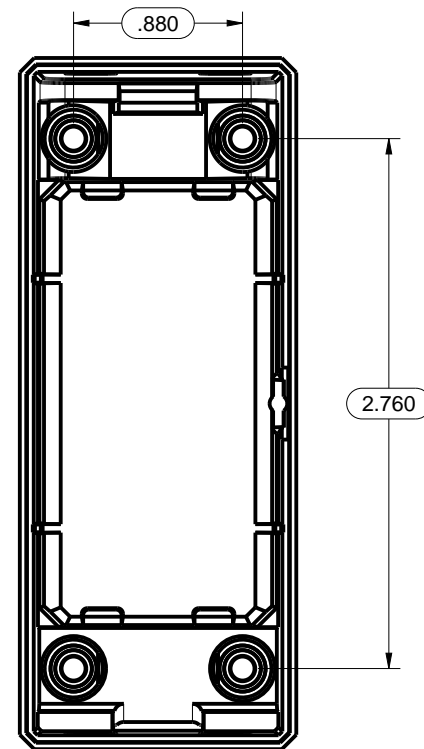
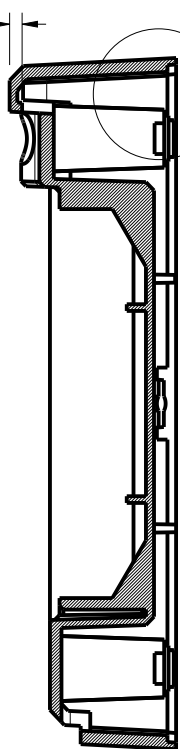


DETAIL E
SCALE 3.000

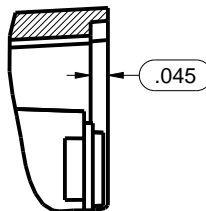


SEE DETAIL D

SEE DETAIL E



DETAIL D
SCALE 2.000



TOLERANCES: UNLESS OTHERWISE SPECIFIED
DIMENSIONS ARE IN U.S. INCHES.

X.XX = .015 X.XXXX = .001
X.XXX = .010 X.X° = 1°

NEW AGE ENCLOSURES

Customer's Part No: 361413

| | | |
|----------|----------|------|
| APPROVAL | BY | DATE |
| CHECK | | |
| ENG. | | |
| SCALE | AS NOTED | |

DRAWN BY
M BOYER 2014-May-02

NEW AGE ENCLOSURES

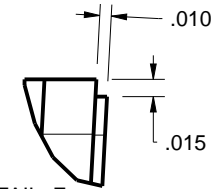
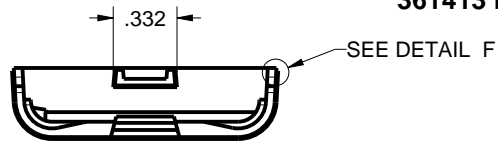
4330 Santa Fe Road San Luis Obispo, CA. 93401
ph. (805) 595-1310 fax (805) 595-1024
www.newageenclosures.com

**COMPACT AA - STANDARD
SXX-361413X-XXX**

SIZE A DRAWING NAME 361413_R2_0

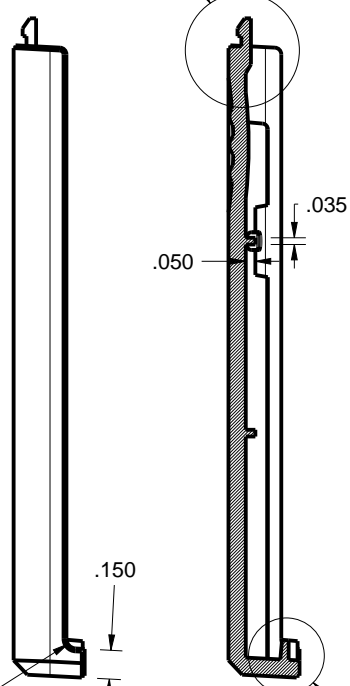
SHEET 4 OF 8 REV.DOC 2.0

361413 HATCH



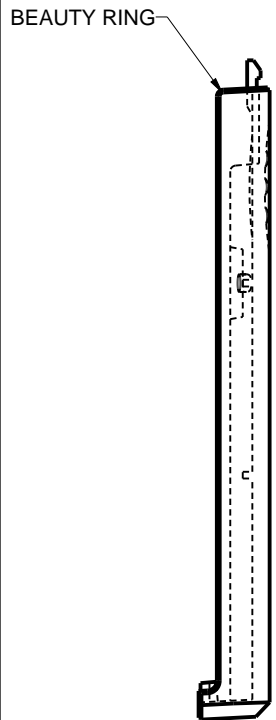
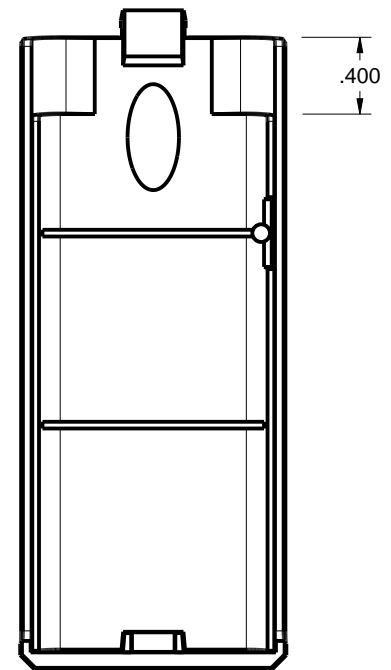
DETAIL F
SCALE 6.000

SEE DETAIL B

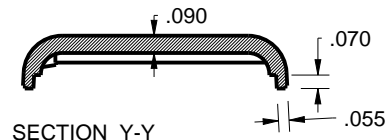
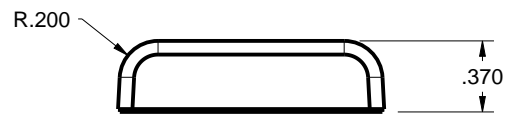
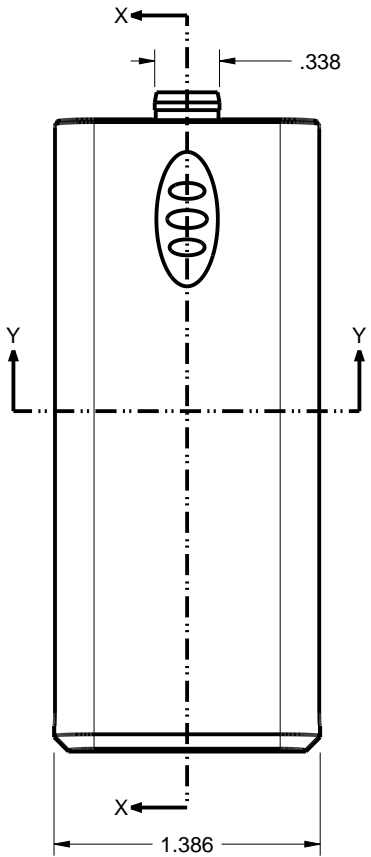


SECTION X-X

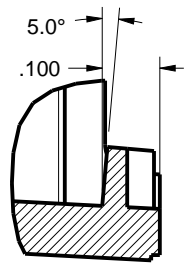
SEE DETAIL C



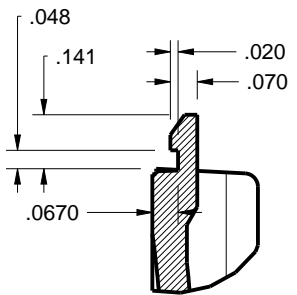
SCALE 1.000



SECTION Y-Y



DETAIL C
SCALE 3.000



DETAIL B
SCALE 2.000

| | | |
|---|-------------|------|
| TOLERANCES: UNLESS OTHERWISE SPECIFIED DIMENSIONS ARE IN U.S. INCHES. | | |
| X.XX = .015 X.XXXX = .001 | | |
| X.XXX = .010 X.X° = 1° | | |
| NEW AGE ENCLOSURES | | |
| Customer's Part No: 361413 | | |
| APPROVAL | BY | DATE |
| CHECK | | |
| ENG. | | |
| SCALE | AS NOTED | |
| DRAWN BY | 2014-May-02 | SIZE |
| M BOYER | | A |

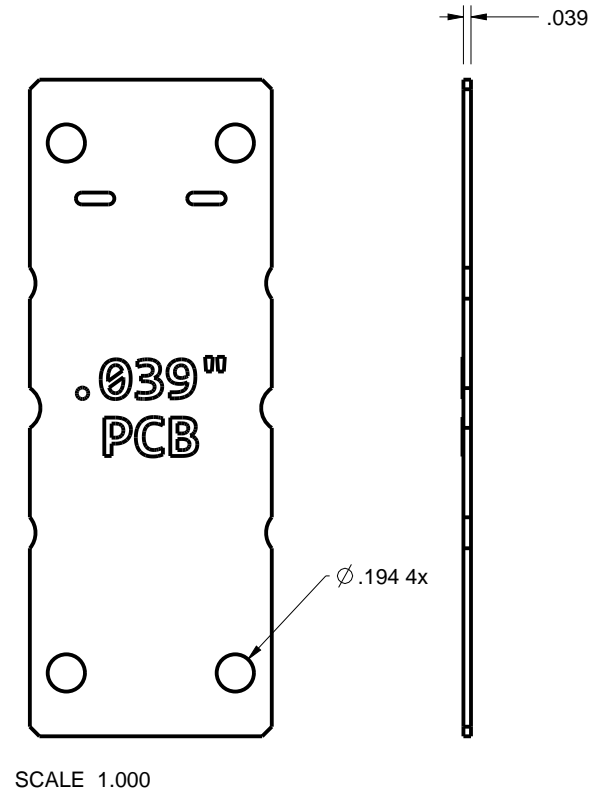
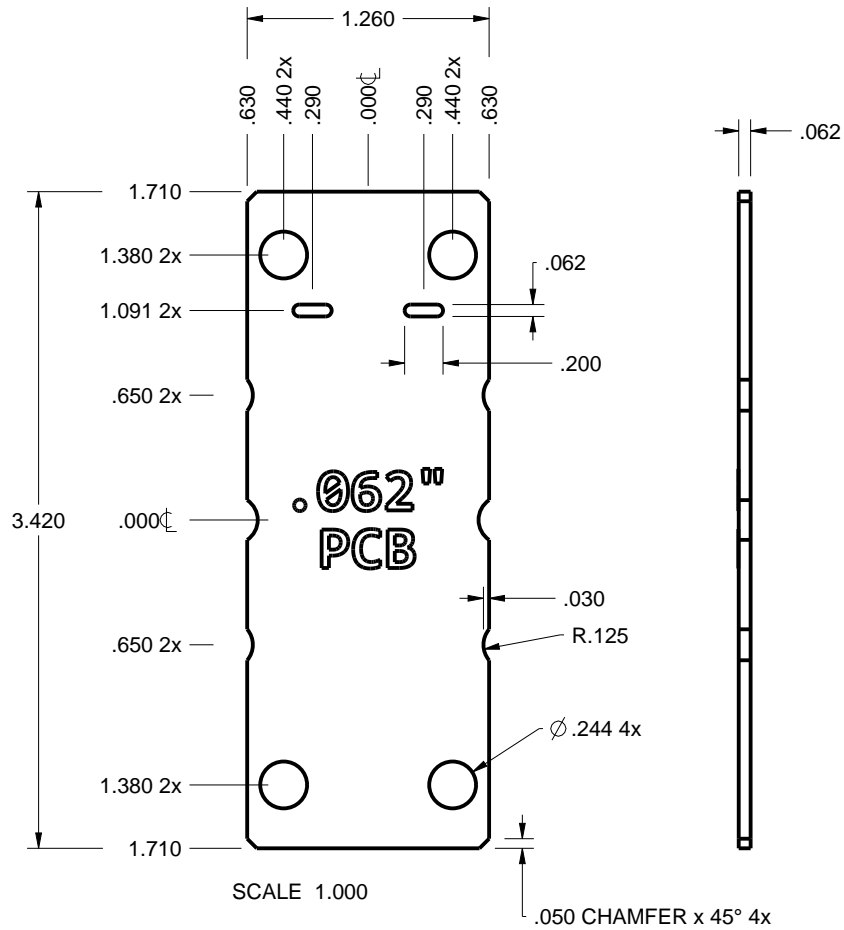
NEW AGE ENCLOSURES
 4330 Santa Fe Road San Luis Obispo, CA. 93401
 ph. (805) 595-1310 fax (805) 595-1024
www.newageenclosures.com

COMPACT AA - STANDARD
SXX-361413X-XXX

| | |
|--------|---------|
| SHEET | REV.DOC |
| 5 OF 8 | 2.0 |

361413 PCB - CUSTOMER SUPPLIED

PCB SIZES ARE RECOMMENDATIONS ONLY. FINAL SIZES AND VERIFICATION OF ITS FIT ARE THE SOLE RESPONSIBILITY OF THE OEM.

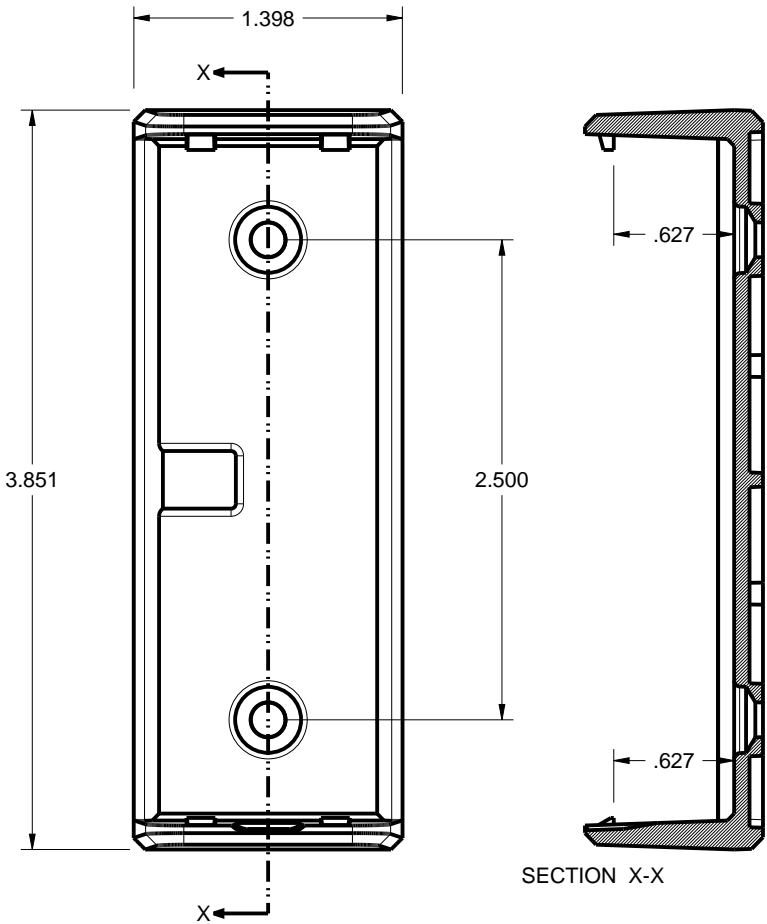


THIS ENCLOSURE CAN ACCOMODATE EITHER PCB THICKNESS

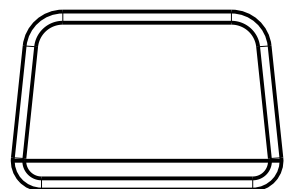
| | | | | |
|--|-------------|---|--|---------|
| TOLERANCES: UNLESS OTHERWISE SPECIFIED DIMENSIONS ARE IN U.S. INCHES. X.XX = .015 X.XXXX = .001 X.XXX = .010 X.X° = 1° | | NEW AGE ENCLOSURES 4330 Santa Fe Road San Luis Obispo, CA. 93401 ph. (805) 595-1310 fax (805) 595-1024 www.newageenclosures.com | | |
| Customer's Part No: 361413 | | | | |
| APPROVAL | BY | DATE | COMPACT AA - STANDARD SXX-361413X-XXX | |
| CHECK | | | | |
| ENG. | | | | |
| SCALE | AS NOTED | | | |
| DRAWN BY | SIZE | DRAWING NAME | SHEET | REV.DOC |
| M BOYER | 2014-May-02 | A 361413_R2_0 | 6 OF 8 | 2.0 |

361413 - 2nd OPERATION DETAILS - 1 of 2

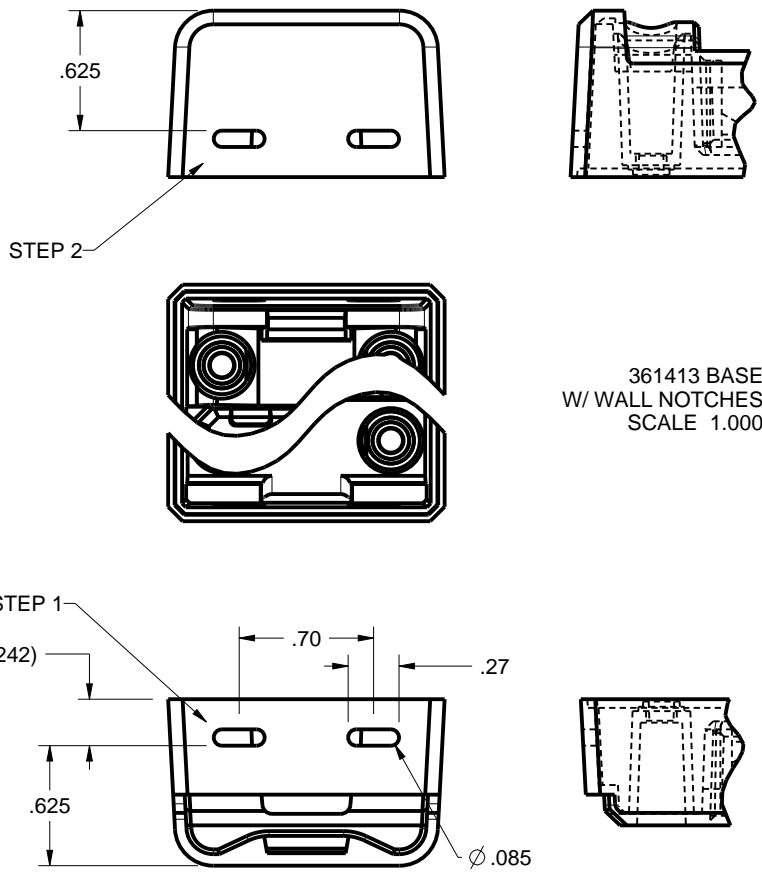
NEW AGE ENCLOSURES DELIVERS YOUR ENCLOSURE MARKET-READY WITH IN-HOUSE CNC MACHINING, PAD PRINTING, ASSEMBLY, AND FULFILLMENT. ALL SURFACES AND AREAS ARE AVAILABLE FOR CNC ALTERATION BY NEW AGE ENCLOSURES CALL (805) 595-1310 FOR PRICING AND SCHEDULE. THE INSIDE RADIUS OF ANY MACHINED FEATURES SHOULD BE NO SMALLER THAN .031"



SECTION X-X



361413 WALL CRADLE SCALE 1.000



361413 BASE W/ WALL NOTCHES SCALE 1.000

TOLERANCES: UNLESS OTHERWISE SPECIFIED DIMENSIONS ARE IN U.S. INCHES.
 X.XX = .015 X.XXXX = .001
 X.XXX = .010 X.X° = 1°

NEW AGE ENCLOSURES
 4330 Santa Fe Road San Luis Obispo, CA. 93401
 ph. (805) 595-1310 fax (805) 595-1024
www.newageenclosures.com

NEW AGE ENCLOSURES
 Customer's Part No: 361413

| | | |
|----------|-------------|------|
| APPROVAL | BY | DATE |
| CHECK | | |
| ENG. | | |
| SCALE | AS NOTED | |
| DRAWN BY | M BOYER | |
| | 2014-May-02 | |

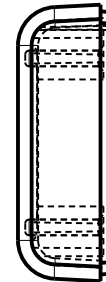
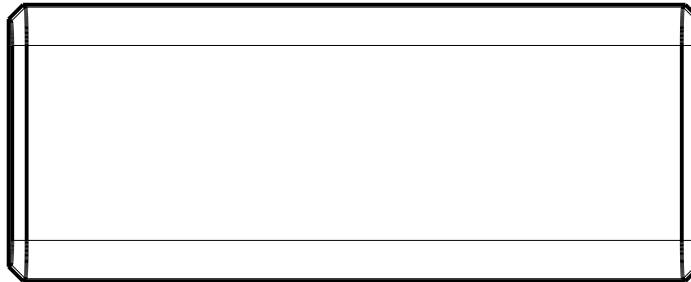
COMPACT AA - STANDARD
SXX-361413X-XXX

| | | | |
|------|--------------|--------|---------|
| SIZE | DRAWING NAME | SHEET | REV.DOC |
| A | 361413_R2_0 | 7 OF 8 | 2.0 |

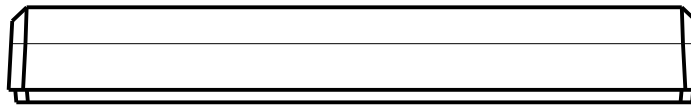
| SXX-361413-XXX BASE - ABS, BLACK | | | | | |
|----------------------------------|--------------|---------------|---------|-------------|---------|
| STEP NO | DESCRIPTION | CUTTER | FIXTURE | ORIENTATION | PROGRAM |
| 1-C-C1 | WALL NOTCHES | T2 = .062" EM | - | SINGLE | o3931 |
| 2-C-C2 | WALL NOTCHES | T2 = .062" EM | - | SINGLE | o3931 |

361413 - 2nd OPERATION DETAILS - 2 OF 2

NEW AGE ENCLOSURES DELIVERS YOUR ENCLOSURE MARKET-READY WITH IN-HOUSE
 CNC MACHINING, PAD PRINTING, ASSEMBLY, AND FULFILLEMENT.
 ALL SURFACES AND AREAS ARE AVAILABLE FOR CNC ALTERATION BY NEW AGE ENCLOSURES
 CALL (805) 595-1310 FOR PRICING AND SCHEDULE.
 THE INSIDE RADIUS OF ANY MACHINED FEATURES SHOULD BE NO SMALLER THAN .031"



SCALE 1.000



TOLERANCES: UNLESS OTHERWISE SPECIFIED
 DIMENSIONS ARE IN U.S. INCHES.
 X.XX = .015 X.XXXX = .001
 X.XXX = .010 X.X° = 1°

NEW AGE ENCLOSURES

Customer's Part No: 361413

NEW AGE ENCLOSURES

4330 Santa Fe Road San Luis Obispo, CA. 93401
 ph. (805) 595-1310 fax (805) 595-1024

www.newageenclosures.com

**COMPACT AA - STANDARD
 SXX-361413X-XXX**

| SXX-361413-XXX COVER - ABS, BLACK | | | | | |
|-----------------------------------|-------------|---------------|---------|-------------|---------|
| STEP NO | DESCRIPTION | CUTTER | FIXTURE | ORIENTATION | PROGRAM |
| 1-C-C1 | - | T2 = .062" EM | - | SINGLE | - |
| 2-C-C2 | - | T2 = .062" EM | - | - | - |

| | | |
|----------|-------------|------|
| APPROVAL | BY | DATE |
| CHECK | | |
| ENG. | | |
| SCALE | AS NOTED | |
| DRAWN BY | M BOYER | |
| | 2014-May-02 | |

| | | | |
|------|--------------|--------|---------|
| SIZE | DRAWING NAME | SHEET | REV.DOC |
| A | 361413_R2_0 | 8 OF 8 | 2.0 |

X-ON Electronics

Largest Supplier of Electrical and Electronic Components

Click to view similar products for [Battery Enclosures](#) category:

Click to view products by [New Age](#) manufacturer:

Other Similar products are found below :

[67257-01](#) [2508010](#) [19400201](#) [CLP.3](#) [HH-3440-TS](#) [MB 12225](#) [MF-001DG](#) [FP 10674](#) [FP 22046](#) [18200201](#) [TF 28037](#) [UH-3](#) [MRS 28541](#)
[BHM-4A3](#) [BHF-4A3](#) [BHF-3A3](#) [FI-17 GY](#) [72002001](#) [72002101](#) [72002201](#) [72002301](#) [8120843](#) [8120845](#) [P33070300](#) [35111005](#) [35111016](#)
[AH NEW ALU HINGE](#) [FI-17/BK](#) [MRS 28540](#) [19400101](#) [1518020](#) [8120841](#) [DS 10581](#) [CLY.9](#) [MB 10674](#) [8120840](#) [8120842](#) [8120844](#)
[8120846](#) [FP 12017](#) [22010000](#) [CL1 N](#) [ATBATTERY-CASE-2AAA](#) [ATBATTERY-CASE-4AAA](#) [HH-3442-C](#) [HH-3450-C](#) [HH-3451-TL](#)
[BX0123](#) [MB 20064 SET](#) [G900G-CLIP](#)