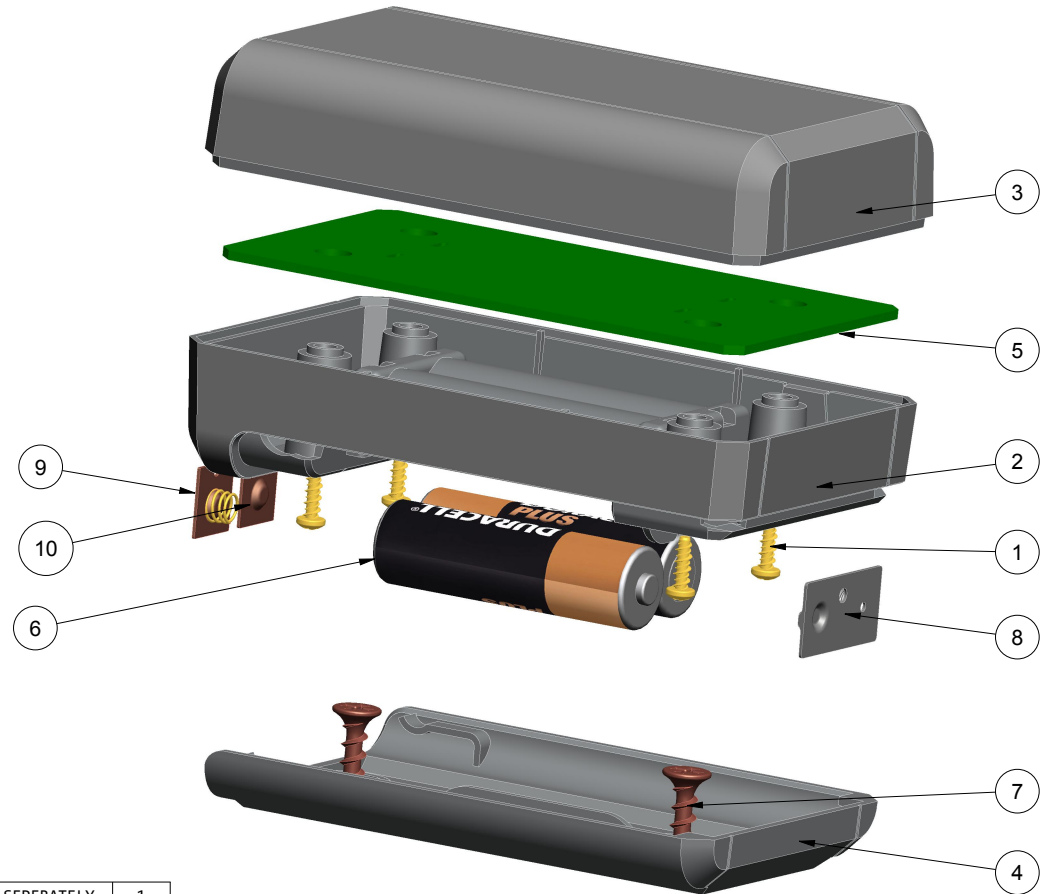


NOTES: UNLESS OTHERWISE SPECIFIED

1. CORNERS DRAWN SHARP TO BE R.005 MAXIMUM.
2. EXTERIOR SURFACE TEXTURE TO BE EDM FINISH, EQUIVALENT TO MT-11010. TEXTURE ON ENCLOSURE WILL VARY FROM TIME TO TIME AS THE TOOL WEARS AND IT BECOMES NECESSARY TO REAPPLY.
3. INTERIOR SURFACE TEXTURE TO BE: NONE.
4. ALL INSIDE RADII .010R. UNLESS OTHERWISE SPECIFIED.
5. ALL EXTERNAL DIMENSIONS AFFECTED BY THE DRAFT APPLY AT THE LARGE END OF THE FEATURE, AND ALL INTERNAL FEATURES AFFECTED BY THE DRAFT APPLY AT THE SMALL END OF THE FEATURE UNLESS OTHERWISE SPECIFIED.
6. 1 DEGREE DRAFT IN THE DIRECTION OF PULL IS PERMISSIBLE UNLESS OTHERWISE SPECIFIED.
7. MATERIAL / COLOR: ABS PLASTIC IS STANDARD IN BLACK OR WHITE. CUSTOM MATERIALS AND COLORS ARE AVAILABLE UPON REQUEST FOR QUOTE. ALTERNATE RESINS HAVE DIFFERENT SHRINK RATES, AND WILL EFFECT DIMENSIONS.
8. PCB SIZES ARE RECOMMENDATIONS ONLY. FINAL SIZES AND VERIFICATION OF ITS FIT ARE THE SOLE RESPONSIBILITY OF EACH CUSTOMER.
9. ASSEMBLY SCREWS FOR THE ENCLOSURE INCLUDED. MOUNTING SCREWS FOR THE WALL SOLD SEPERATELY.
10. THIS DRAWING IS BASED ON A SOLID MODEL, AND IS FURTHER DEFINED BY THE SOLID MODEL FILE.
11. ALLOWABLE FLASH: 0.010 MAX.
12. ALL EJECTOR PIN MARKS TO BE WITHIN 0.010" OF FLUSH, PROTRUDING OR BELOW FLUSH.
13. TRIM GATE WITHIN 0.030" OF FLUSH.

R E V I S I O N					
REV.	DRAWN BY	ECO No	DESCRIPTION	DATE	APPROVE
A	M BOYER	2002	PRELIMINARY RELEASE	2020-Jun-27	J.T.
B	M BOYER		WIDEN BEAUTY STRIPE AND ADJUST TAB	2020-Aug-24	J.T.
C	M BOYER		ADD PCB SHOULDERS AND TIGHTEN BATTERY CONTACT SLOTS	2020-Sep-02	J.T.
D	M BOYER		UPDATE HATCH	2020-Oct-16	J.T.
E	M BOYER		ADD STANDARD HATCH OPTION	2021-Jan-25	J.T.
F	M BOYER		WRAP SHEET DETAILS FOR DIR	2021-Nov-03	



422517(x) CONFIGURATIONS		
	-W	-Blank
422517 COVER	1	1
422517 BASE	1	1
422517 HATCH	1	1
422517 WALL HATCH	1	
#4 HiLo SCREW .375"	4	4

ITEM	FILE NAME	DESCRIPTION	MATERIAL	COLOR	QTY.
10	AA-SINGL-CONTACT-POS	ACC-AAPOS-5223	SPRING STEEL	SOLD SEPERATELY	1
9	AA-SINGL-CONTACT-NEG	ACC-AANEG-5201	SPRING STEEL	SOLD SEPERATELY	1
8	AA-DBL-CONTACT	ACC-AADBL-5212	SPRING STEEL	SOLD SEPERATELY	1
7	SCREW-DRYWALLX750	DRYWALL SCREW - REFERENCE	CUSTOMER SUPPLIED	DRYWALL SCREW	2
6	AA-BATTERY	"AA" SIZE BATTERY	REFERENCE	CUSTOMER SUPPLIED	2
5	422517-PCB	422517 PCB - REFERENCE	.062" THICK	CUSTOMER SUPPLIED	1
4	422517-HATCH-WALL	422517 WALL HATCH - STANDARD	ABS	BLACK or WHITE	1
3	422517-COVER	422517 COVER - STANDARD	ABS	BLACK or WHITE	1
2	422517-BASE	422517 BASE - STANDARD	ABS	BLACK or WHITE	1
1	NO4_HI-LO	ASSEMBLY & PCB	No4 HiLo x 3/8"	4 INCLUDED	4

BILL OF MATERIALS

THIRD ANGLE PROJECTION
 DO NOT SCALE DRAWING

TOLERANCES: UNLESS OTHERWISE SPECIFIED
 DIMENSIONS ARE IN U.S. INCHES.
 X.XX = .015 X.XXXX = .001
 X.XXX = .010 X.X" = 1"

NEW AGE ENCLOSURES
 2240 South Thornburg Street Santa Maria, CA. 93455
 ph. (855) 462-3625 fax (805) 595-1024
www.newageenclosures.com

Customer's Part No: 422517

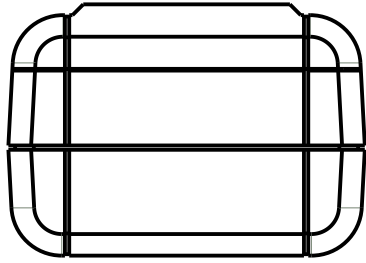
APPROVAL	BY	DATE
CHECK		
ENG.		
SCALE	AS NOTED	

MEDIUM AA BATTERY BOX
SXX-422517-XXX

DRAWN BY
 M BOYER 2020-Jul-27

SIZE A DRAWING NAME 422517_RF SHEET 1 OF 7 REV.DOC F

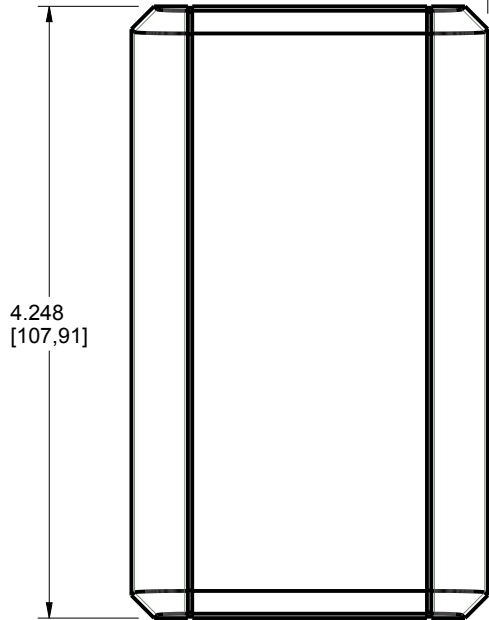
422517 ASSEMBLY



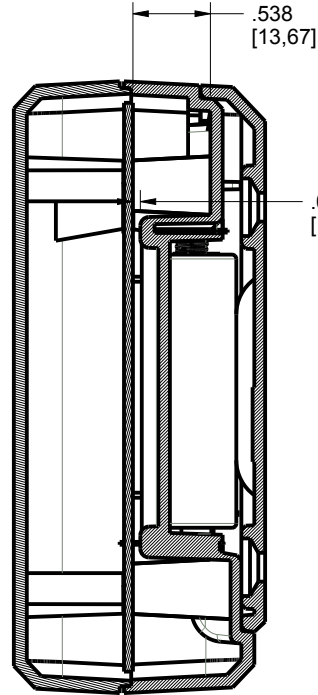
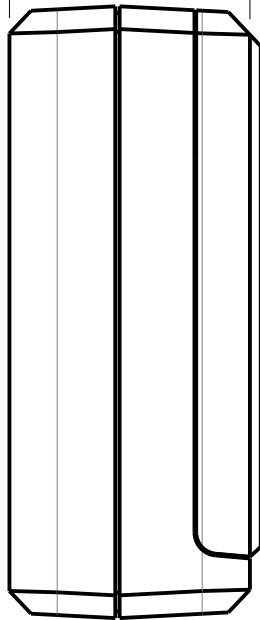
2.475
[62,87]

1.745
[44,32]

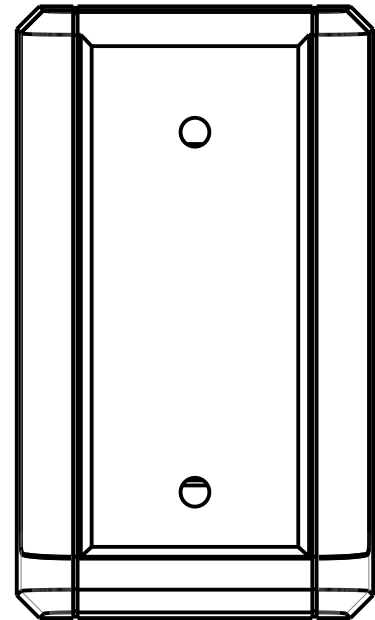
1.670
[42,42]



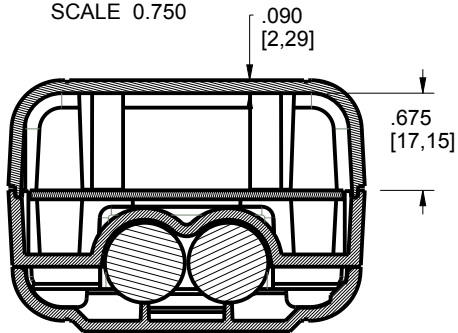
4.248
[107,91]



SECTION X-X



SCALE 0.750



SECTION Y-Y

TOLERANCES: UNLESS OTHERWISE SPECIFIED
DIMENSIONS ARE IN U.S. INCHES.
X.XX = .015 X.XXXX = .001
X.XXX = .010 X.X° = 1°

NEW AGE ENCLOSURES

2240 South Thornburg Street Santa Maria, CA. 93455
ph. (855) 462-3625 fax (805) 595-1024
www.newageenclosures.com

NEW AGE ENCLOSURES
Customer's Part No: 422517

APPROVAL	BY	DATE
CHECK		
ENG.		
SCALE	AS NOTED	

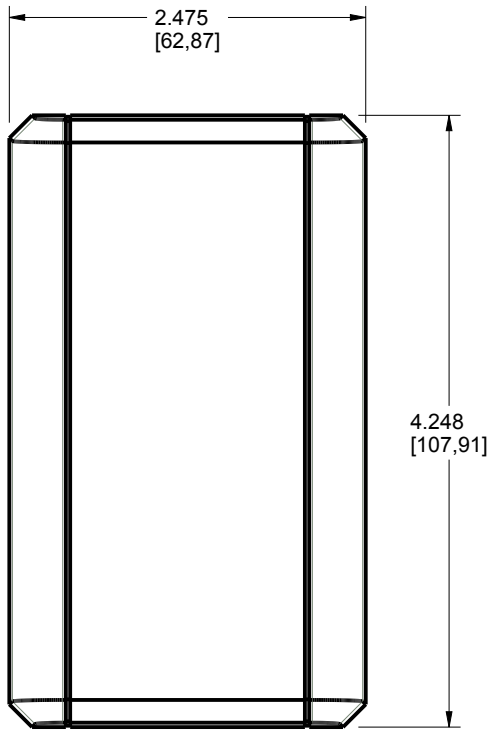
MEDIUM AA BATTERY BOX
SXX-422517-XXX

DRAWN BY
M BOYER 2020-Jul-27

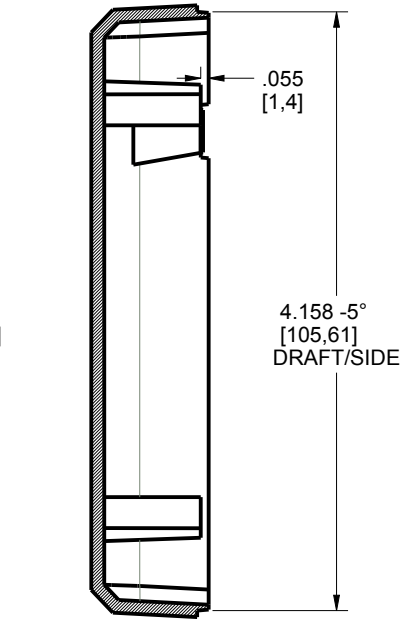
SIZE A DRAWING NAME
422517_RF

SHEET 2 OF 7 REV.DOC F

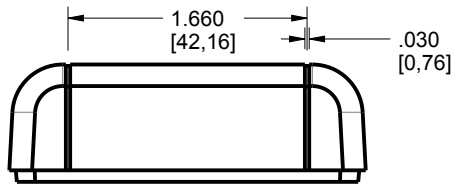
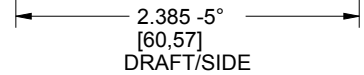
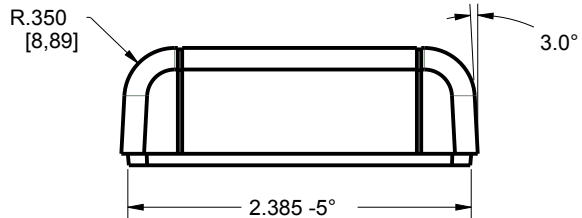
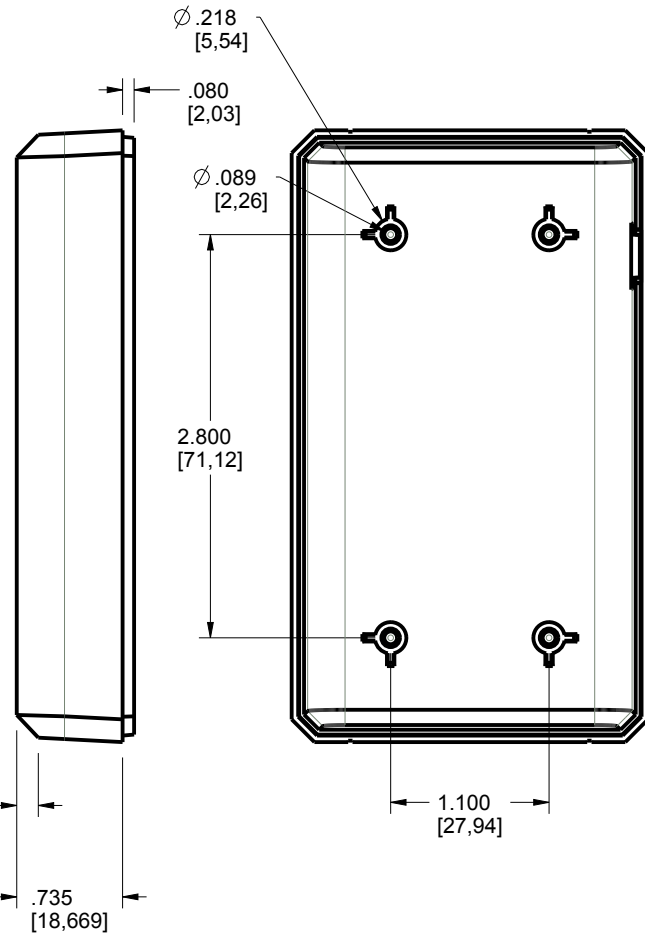
422517 COVER



SCALE 0.750



SECTION X-X



TOLERANCES: UNLESS OTHERWISE SPECIFIED
DIMENSIONS ARE IN U.S. INCHES.
X.XX = .015 X.XXXX = .001
X.XXX = .010 X.X° = 1°

NEW AGE ENCLOSURES
2240 South Thornburg Street Santa Maria, CA. 93455
ph. (855) 462-3625 fax (805) 595-1024

NEW AGE ENCLOSURES
Customer's Part No: 422517

www.newageenclosures.com

APPROVAL	BY	DATE
CHECK		
ENG.		
SCALE	AS NOTED	

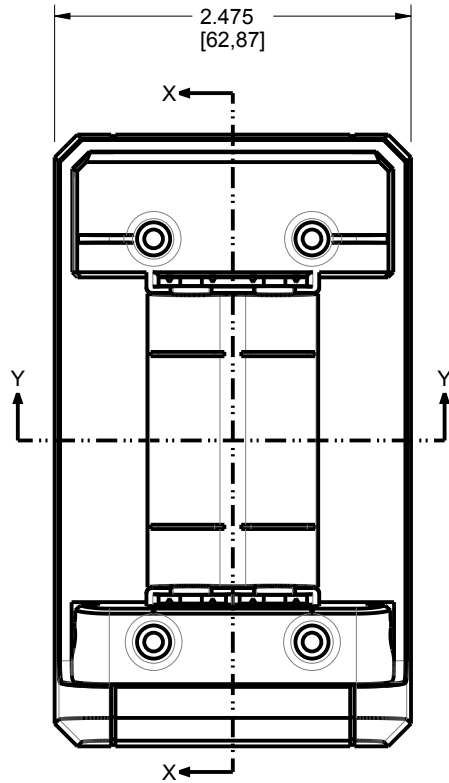
MEDIUM AA BATTERY BOX
SXX-422517-XXX

DRAWN BY
M BOYER 2020-Jul-27

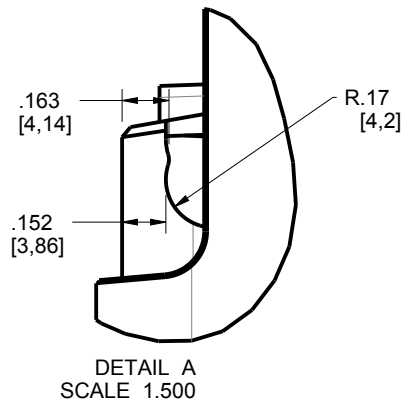
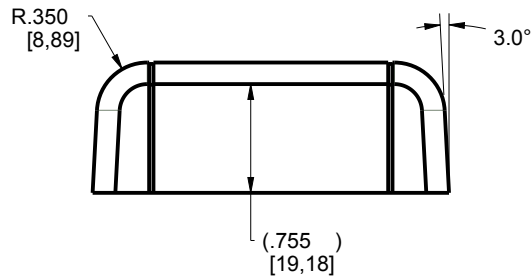
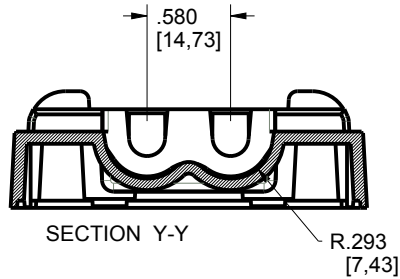
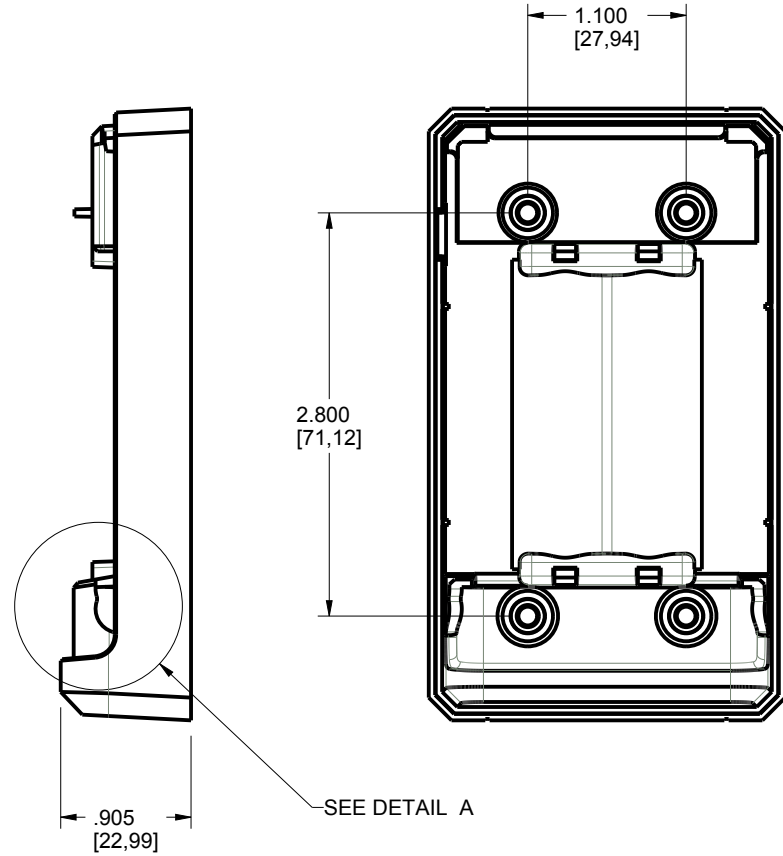
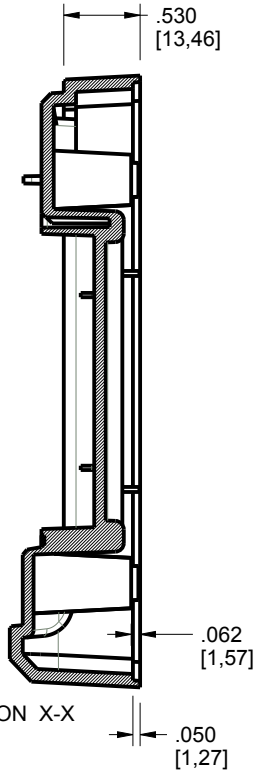
SIZE A DRAWING NAME 422517_RF

SHEET 3 OF 7 REV.DOC F

422517 BASE



SCALE 0.750



TOLERANCES: UNLESS OTHERWISE SPECIFIED
DIMENSIONS ARE IN U.S. INCHES.
X.XX = .015 X.XXXX = .001
X.XXX = .010 X.X° = 1°

NEW AGE ENCLOSURES
Customer's Part No: 422517

APPROVAL BY DATE

CHECK

ENG.

SCALE AS NOTED

DRAWN BY M BOYER 2020-Jul-27

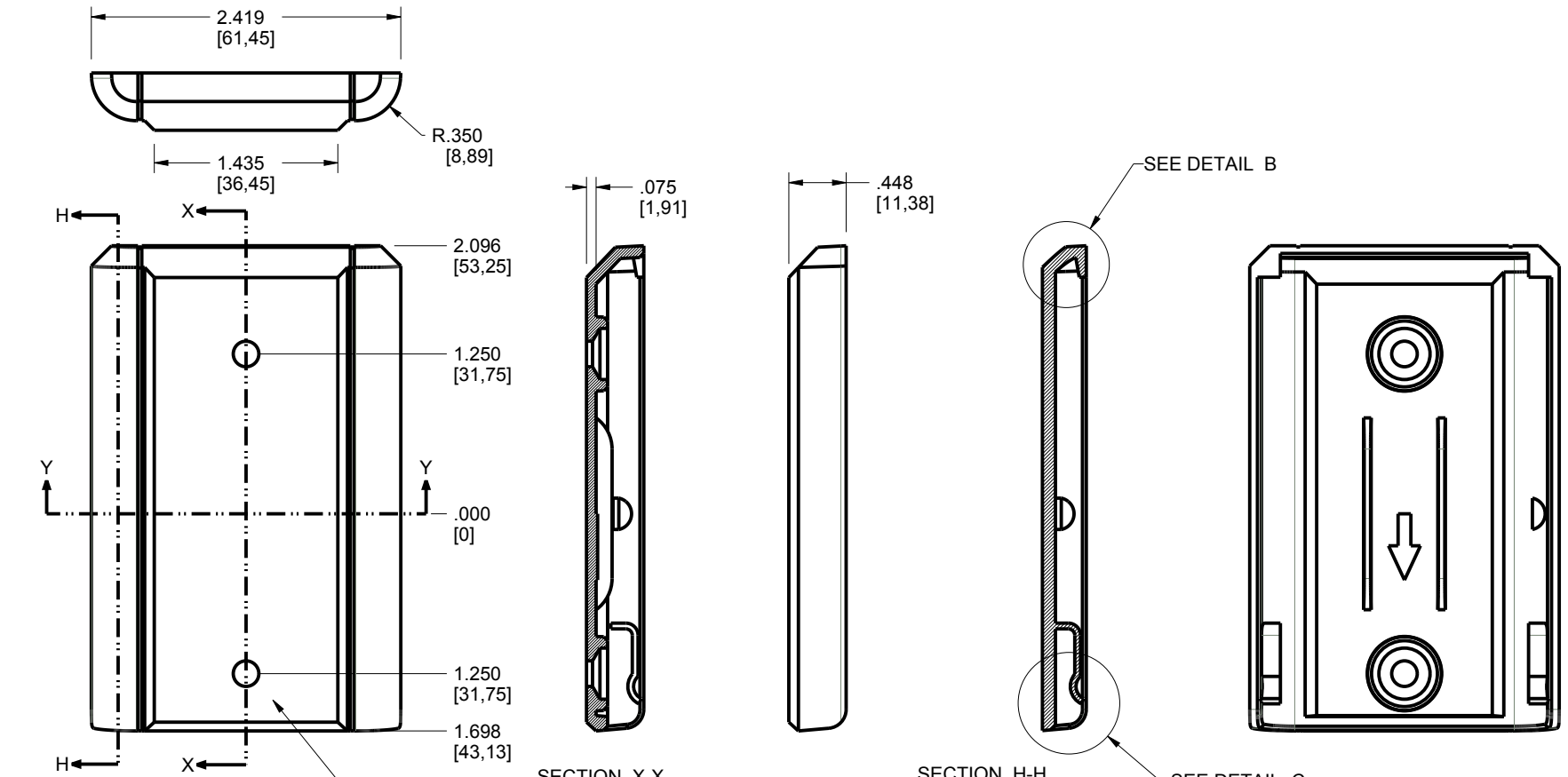
NEW AGE ENCLOSURES

2240 South Thornburg Street Santa Maria, CA. 93455
ph. (855) 462-3625 fax (805) 595-1024
www.newageenclosures.com

MEDIUM AA BATTERY BOX
SXX-422517-XXX

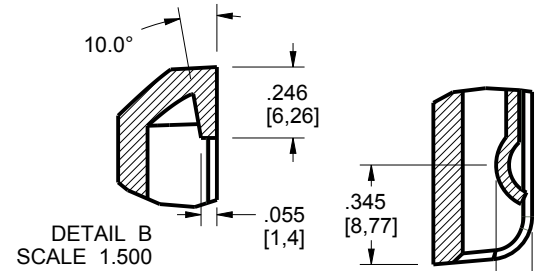
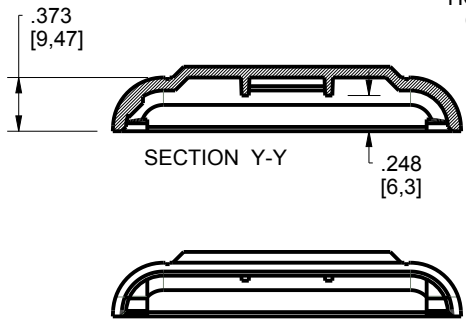
SIZE A DRAWING NAME 422517_RF SHEET 4 OF 7 REV.DOC F

422517 WALL HATCH



SCALE 0.750

HOLES ARE NOT THROUGH ON NON-WALL VERSION

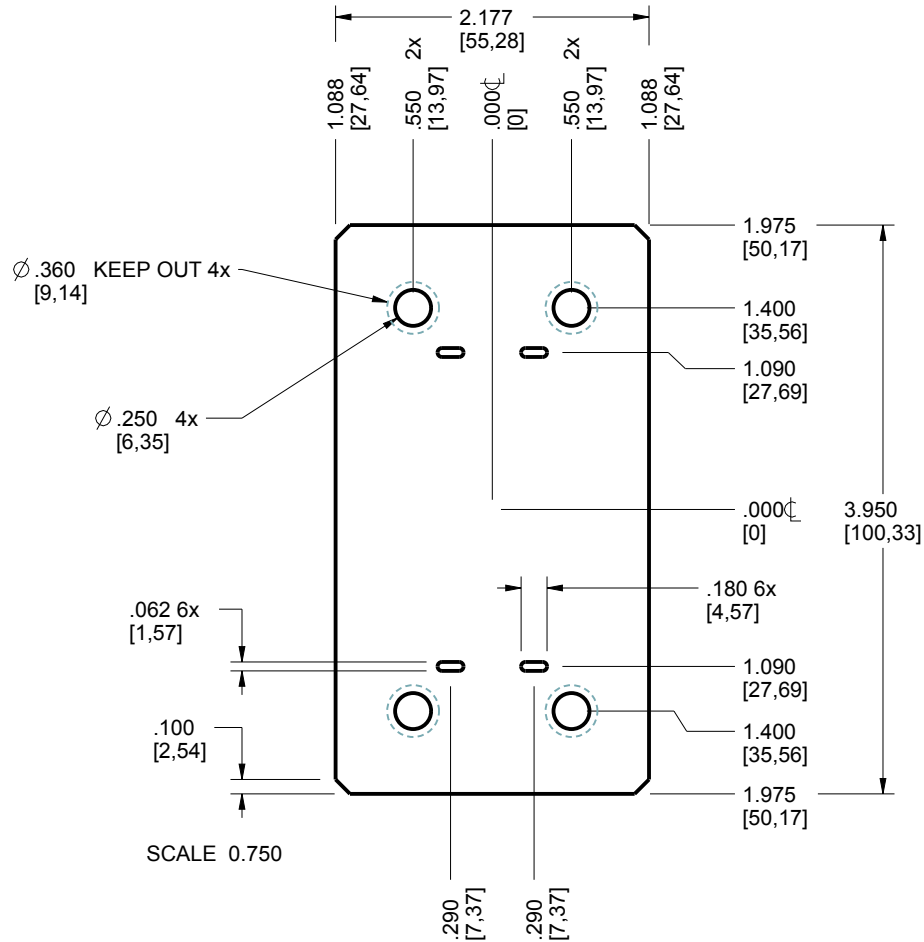


TOLERANCES - UNLESS OTHERWISE SPECIFIED DIMENSIONS ARE IN U.S. INCHES. X.XX = .015 X.XXXX = .001 X.XXX = .010 X.X° = 1°		NEW AGE ENCLOSURES	
NEW AGE ENCLOSURES		2240 South Thornburg Street Santa Maria, CA. 93455 ph. (855) 462-3625 fax (805) 595-1024 www.newageenclosures.com	
Customer's Part No: 422517			
APPROVAL	BY	DATE	
CHECK			
ENG.			
SCALE	AS NOTED		
DRAWN BY	SIZE	DRAWING NAME	SHEET
M BOYER	A	422517_RF	5 OF 7
	2020-Jul-27		REV.DOC
			F

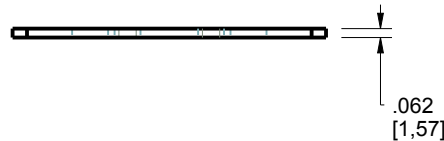
MEDIUM AA BATTERY BOX
SXX-422517-XXX

422517 PCB - CUSTOMER SUPPLIED

PCB SIZES ARE RECOMMENDATIONS ONLY. FINAL SIZES AND VERIFICATION OF IT'S FIT ARE THE SOLE RESPONSIBILITY OF THE OEM.



SCALE 0.750



TOLERANCES: UNLESS OTHERWISE SPECIFIED DIMENSIONS ARE IN U.S. INCHES.
 X.XX = .015 X.XXXX = .001
 X.XXX = .010 X.X° = 1°

NEW AGE ENCLOSURES
 Customer's Part No: 422517

APPROVAL	BY	DATE
CHECK		
ENG.		
SCALE	AS NOTED	

NEW AGE ENCLOSURES
 2240 South Thornburg Street Santa Maria, CA. 93455
 ph. (855) 462-3625 fax (805) 595-1024
www.newageenclosures.com

MEDIUM AA BATTERY BOX
SXX-422517-XXX

DRAWN BY
 M BOYER 2020-Jul-27

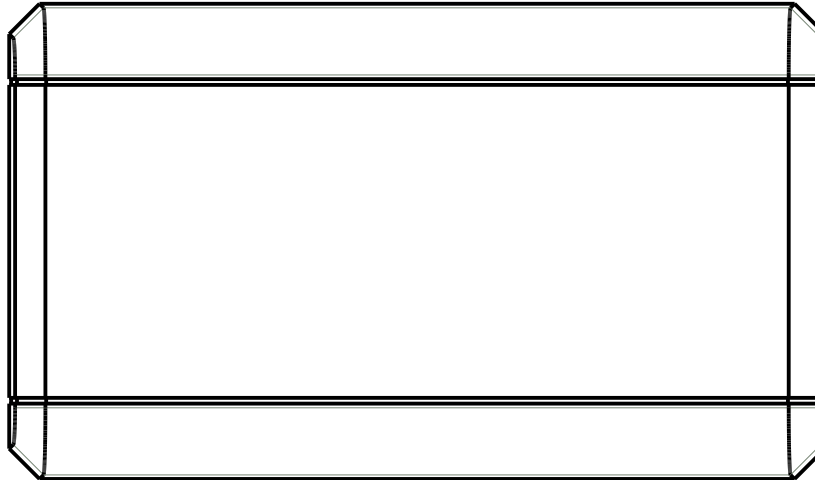
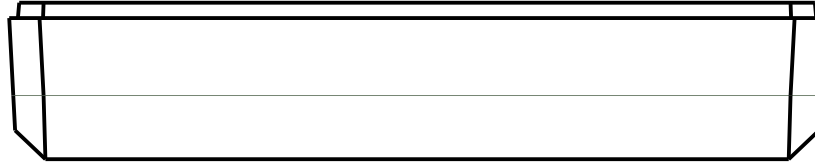
SIZE A DRAWING NAME
 422517_RF

SHEET 6 OF 7 REV.DOC F

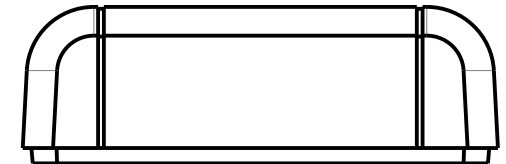
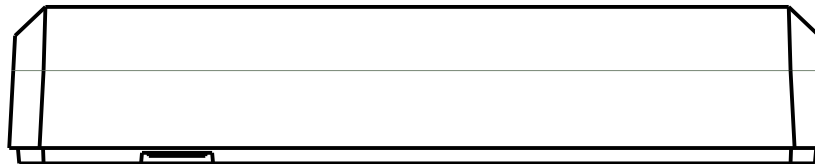
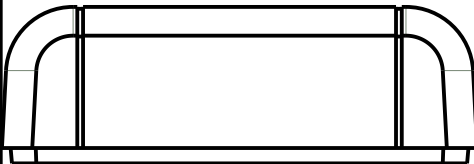
422517 2nd OPERATION

NEW AGE ENCLOSURES DELIVERS YOUR ENCLOSURE MARKET-READY WITH IN-HOUSE CNC MACHINING, PAD PRINTING, ASSEMBLY, AND FULFILLMENT. ALL SURFACES AND AREAS ARE AVAILABLE FOR CNC ALTERATION BY NEW AGE ENCLOSURES CALL (855) 462-3625 FOR PRICING AND SCHEDULE. THE INSIDE RADIUS OF ANY MACHINED FEATURES SHOULD BE NO SMALLER THAN .031"

422517(x) CONFIGURATIONS		
	-W	-Blank
422517 COVER	1	1
422517 BASE	1	1
422517 HATCH		1
422517 WALL HATCH	1	
#4 HiLo SCREW .375"	4	4



SCALE 1.000



TOLERANCES: UNLESS OTHERWISE SPECIFIED DIMENSIONS ARE IN U.S. INCHES.
 X.XX = .015 X.XXXX = .001
 X.XXX = .010 XX° = 1°

NEW AGE ENCLOSURES

Customer's Part No: 422517

APPROVAL	BY	DATE
CHECK		
ENG.		
SCALE	AS NOTED	
DRAWN BY	M BOYER	
	2020-Jul-27	

NEW AGE ENCLOSURES

2240 South Thornburg Street Santa Maria, CA. 93455
 ph. (855) 462-3625 fax (805) 595-1024
www.newageenclosures.com

MEDIUM AA BATTERY BOX
 SXX-422517-XXX

SXX-422517-XXX COVER - ABS, BLACK					
STEP NO	DESCRIPTION	CUTTER	FIXTURE	ORIENTATION	PROGRAM
1-C-C1	-	T2 = .062" EM	XXX	-	O -
2-C-C2	-	T2 = .062" EM	XXX	-	O -

SIZE	DRAWING NAME	SHEET	REV.DOC
A	422517_RF	7 OF 7	F

X-ON Electronics

Largest Supplier of Electrical and Electronic Components

Click to view similar products for [Battery Enclosures](#) category:

Click to view products by [New Age](#) manufacturer:

Other Similar products are found below :

[67257-01](#) [MT5.0](#) [G900B CLIP](#) [FC6A-BH1PN02](#) [MB 12225](#) [MF-001LG](#) [MF-001DG](#) [46300000](#) [46600000](#) [FP 10674](#) [FP 22046](#) [18200201](#)
[UH-3](#) [MB 10622](#) [HH-3595-BCB](#) [HH-3595-BCG](#) [MRS 28541](#) [12BH325/C-GR](#) [12BH348/CS-GR](#) [12BH441/C-GR](#) [BHM-3A3](#) [12BH331/C-](#)
[GR](#) [12BH431/C-GR](#) [12BH9V/CS-GR](#) [BHM-4A3](#) [BHF-4A3](#) [BHF-3A3](#) [FI-17 GY](#) [72002001](#) [72002101](#) [72002201](#) [72002301](#) [8120843](#)
[8120845](#) [P33070300](#) [35111005](#) [35111016](#) [AH NEW ALU HINGE](#) [19400101](#) [8120841](#) [DS 10581](#) [CLY.9](#) [MB 10674](#) [8120840](#) [8120842](#)
[8120844](#) [8120846](#) [FP 12017](#) [22010000](#) [CL1 N](#)