

NXS0506

SD 3.0-compatible memory card integrated auto-direction control and level translator with EMI filter and ESD protection

Rev. 2 — 8 March 2022

Product data sheet

1. General description

The NXS0506 is an SD 3.0-compatible bidirectional dual supply level translator with auto-direction control. It is designed to interface between a memory card operating at 1.7 V to 3.6 V signal levels and a host with a nominal supply voltage of 1.1 V to 1.95 V. The device supports SD 3.0: SDR104, SDR50, DDR50, SDR25, SDR12 and SD 2.0 High-Speed (50 MHz) and Default-Speed (25 MHz) modes. The device has a built-in EMI filter and robust ESD protection (IEC 61000-4-2, level 4).

2. Features and benefits

- Supports up to 208 MHz clock rate
- SD 3.0 specification-compatible voltage translation to support: SDR104, SDR50, DDR50, SDR25, SDR12, High-Speed and Default-Speed modes
- 1.1 V to 1.95 V host side interface voltage support
- Auto-direction sensing
- Low power consumption
- Integrated pull-up resistors: no external resistors required
- Integrated EMI filters suppress higher harmonics of digital I/Os
- Level shifting buffers keep ESD stress away from the host (zero-clamping concept)
- 16-bumps WLCSP package; pitch 0.35 mm
- ESD protection:
 - HBM ANSI/ESDA/JEDEC JS-001 Class 2 exceeds 2 kV
 - CDM ANSI/ESDA/JEDEC JS-002 Class C3 exceeds 1 kV
 - IEC61000-4-2, level 4, contact discharge on all memory card-side pins exceeds 8 kV
 - IEC61000-4-2, level 4, air discharge on all memory card-side pins exceeds 15 kV
- Specified from -40 °C to +85 °C

3. Applications

- Smartphone
- Mobile handsets
- Digital cameras
- Tablet PCs
- Laptop computers
- SD, MMC or microSD card readers

4. Ordering information

Table 1. Ordering information

| Type number | Package | | | Version |
|-------------|-------------------|---------|--|-----------|
| | Temperature range | Name | Description | |
| NXS0506UP | -40 °C to +85 °C | WLCSP16 | wafer level chip-scale package; 16 bumps; 1.455 mm x 1.455 mm x 0.43 mm body | SOT8025-1 |

5. Marking

Table 2. Marking codes

| Type number | Marking code |
|-------------|--------------|
| NXS0506UP | m5 |

6. Block diagram

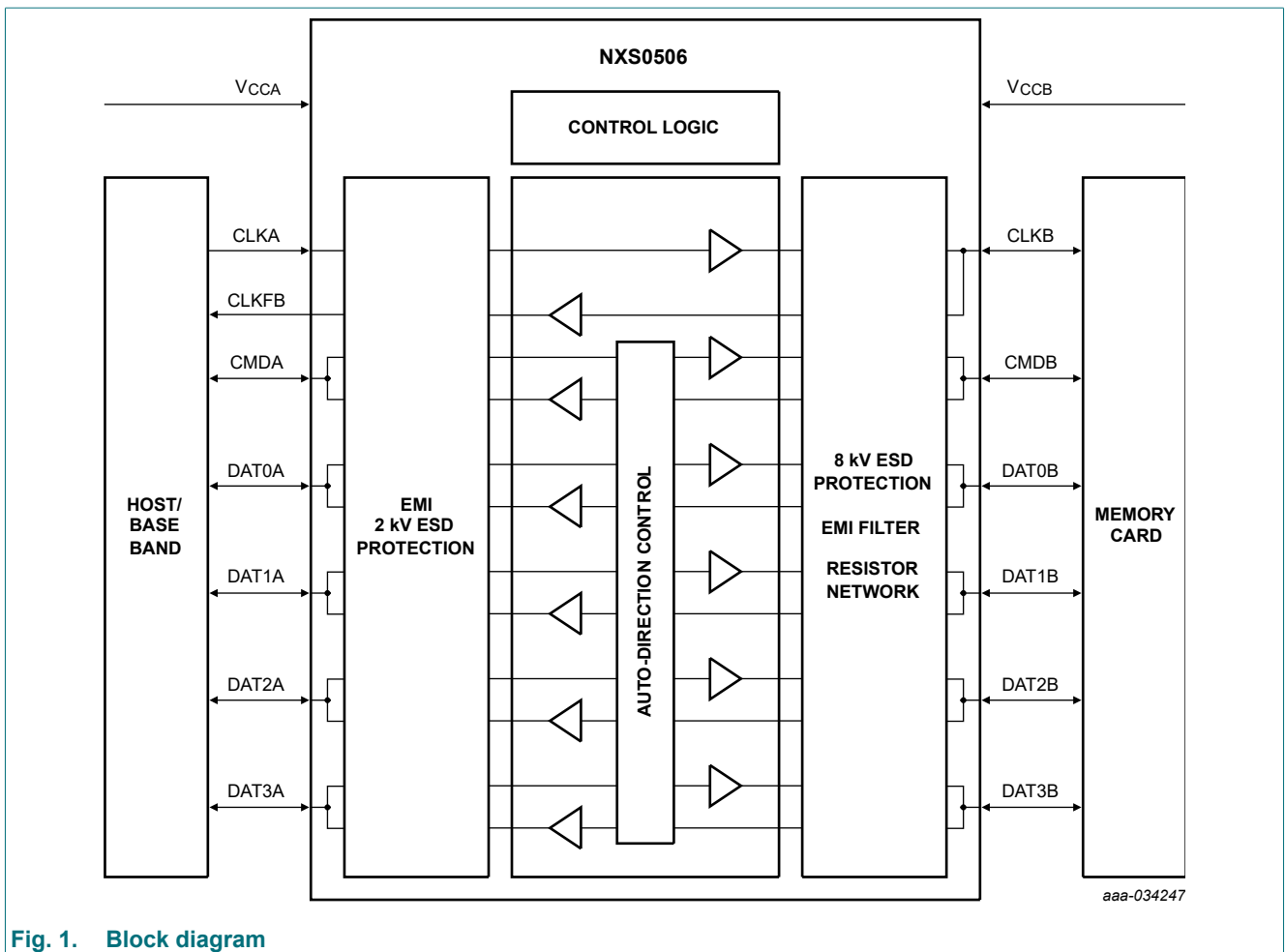


Fig. 1. Block diagram

7. Functional diagram

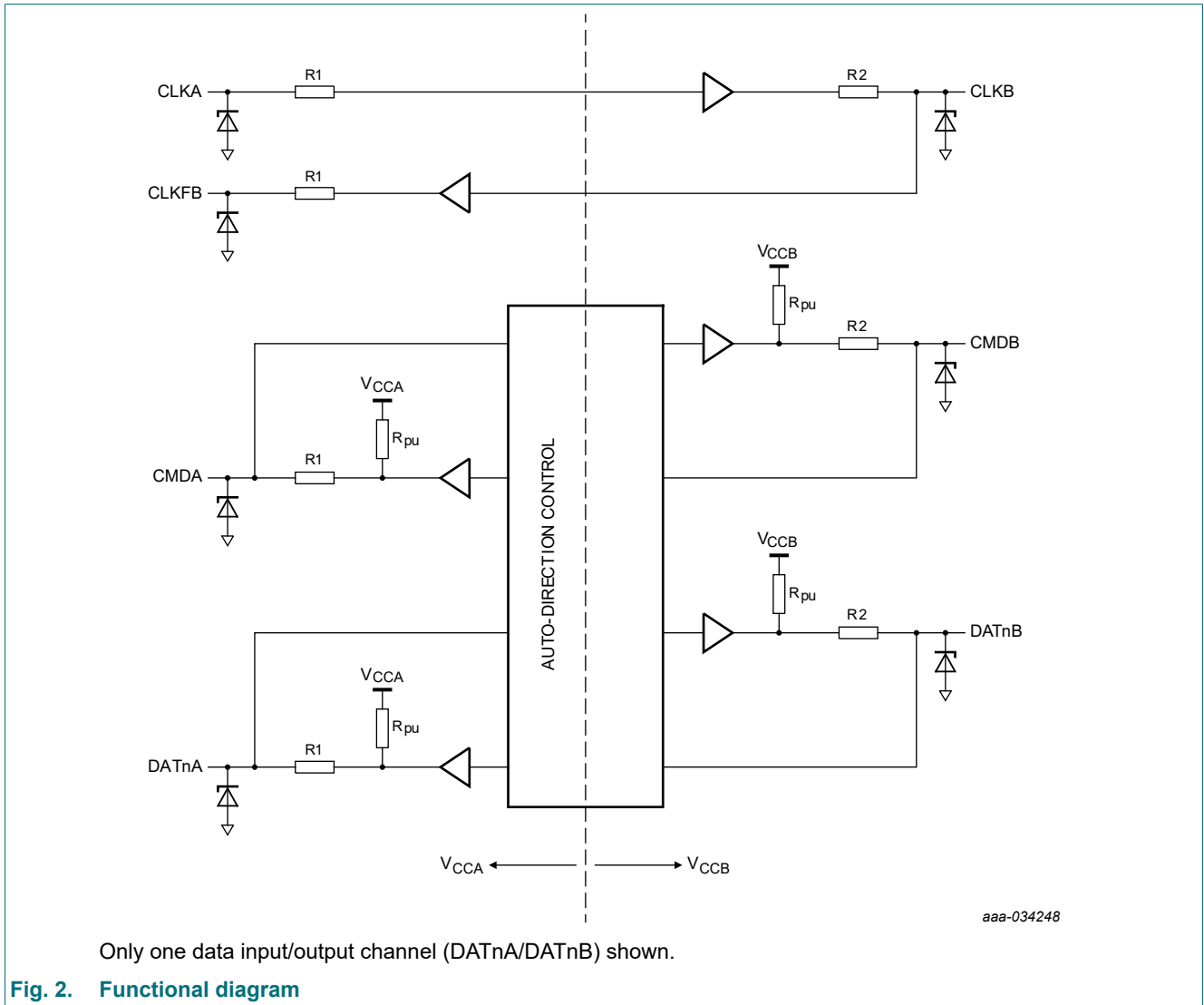
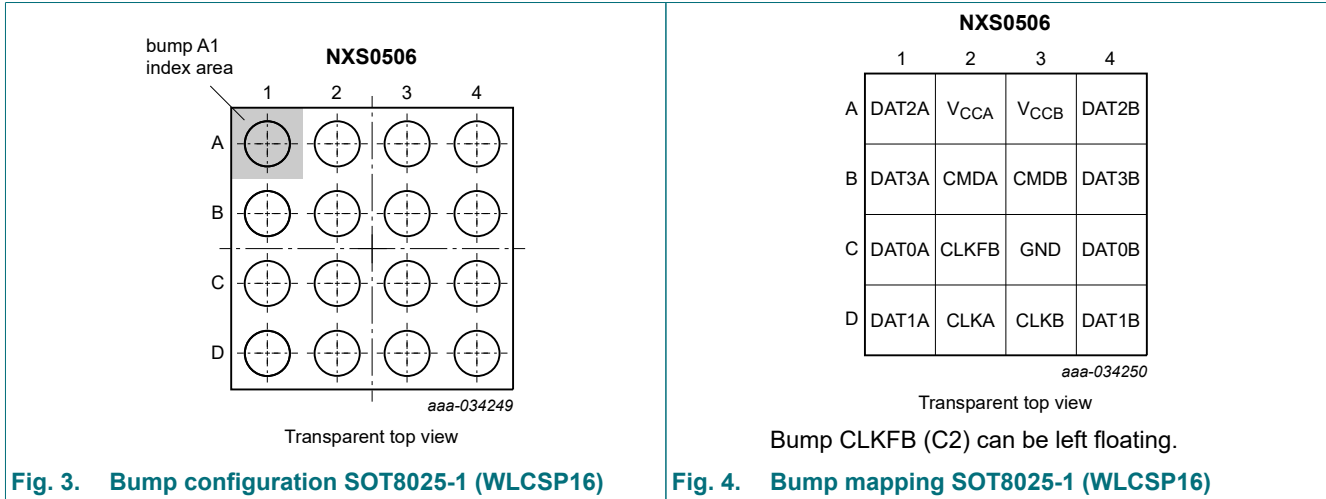


Fig. 2. Functional diagram

8. Pinning information

8.1. Pinning



8.2. Pin description

Table 3. Pin description

| Symbol[1] | Bump | Description |
|------------------|------|---|
| DAT2A | A1 | data 2 input or output on host side |
| DAT3A | B1 | data 3 input or output on host side |
| DAT0A | C1 | data 0 input or output on host side |
| DAT1A | D1 | data 1 input or output on host side |
| V _{CCA} | A2 | supply voltage A (host side) |
| CMDA | B2 | command input or output on host side |
| CLKFB | C2 | clock feedback signal on host side, this pin can be left floating |
| CLKA | D2 | clock signal input on host side |
| V _{CCB} | A3 | supply voltage B (memory card side) |
| CMDB | B3 | command input or output on memory card side |
| GND | C3 | supply ground |
| CLKB | D3 | clock signal input on memory card side |
| DAT2B | A4 | data 2 input or output on memory card side |
| DAT3B | B4 | data 3 input or output on memory card side |
| DAT0B | C4 | data 0 input or output on memory card side |
| DAT1B | D4 | data 1 input or output on memory card side |

[1] The pin names relate particularly to SD memory cards, but also apply to microSD and MMC memory cards. See [Section 9.6](#) for options to swap identical channels.

9. Functional description

9.1. Level translator

The bidirectional level translator shifts the data between the I/O supply levels of the host and the memory card. Auto direction sensing circuitry determines if a command and data signals are transferred from the memory card to the host (card read mode) or from the host to the memory card (card write mode). The voltage translator has to support several clock and data transfer rates at the signaling levels specified in the SD 3.0 standard specification.

Table 4. Supported modes

| Bus speed mode | Signal level (V) | Clock rate (MHz) | Data rate (MB/s) |
|----------------|------------------|------------------|------------------|
| Default-Speed | 3.3 | 25 | 12.5 |
| High-Speed | 3.3 | 50 | 25 |
| SDR12 | 1.8 | 25 | 12.5 |
| SDR25 | 1.8 | 50 | 25 |
| SDR50 | 1.8 | 100 | 50 |
| SDR104 | 1.8 | 208 | 104 |
| DDR50 | 1.8 | 50 | 50 |

9.2. Enable and direction control

The device contains an auto-enable feature. If V_{CCB} rises above 1.5 V, the level translator logic is enabled automatically. As soon as V_{CCB} drops below 0.65 V, the memory card side drivers and the level translator logic are disabled. All pins on the host side, excluding CLKA are configured as inputs with a 70 k Ω resistor pulled up to V_{CCA} .

The device features an auto correction control for all data channels except CLK. For these pins the direction of data flow is sensed by the direction control logic and the output drivers are controlled accordingly. There is no need for the host interface to indicate the direction of data flow.

9.3. Feedback clock channel

The clock is transmitted from the host to the memory card side. The voltage translator and the Printed-Circuit Board (PCB) tracks introduce some amount of delay. It reduces timing margin for data read back from memory card, especially at higher data rates. Therefore, a feedback path is provided to compensate the delay. The reasoning behind this approach is the fact that the clock is always delivered by the host, while the data in the timing critical read mode comes from the card.

9.4. EMI filter

All input/output driver stages are equipped with EMI filters to reduce interference towards sensitive mobile communication.

9.5. ESD protection

The device has robust ESD protections on all memory card pins. The architecture prevents any stress for the host: the voltage translator discharges any stress to supply ground.

9.6. Pin and channel naming

The channel naming as shown in [Fig. 2](#) and in the Pinning information ([Section 8](#)) aims at using NXS0506 for SD-card interfaces. The sequence of the channels is chosen to easily connect to SD-card connectors. As the internal design of channels DAT0 (pins DAT0A and DAT0B), DAT1 (pins DAT1A and DAT1B), DAT2 (pins DAT2A and DAT2B), DAT3 (pins DAT3A and DAT3B) and CMD (pins CMDA and CMDB) is identical, these channels can be exchanged. Swapping channels in the above mentioned group can help ease PCB layout issues. E.g. DAT0 can be swapped with DAT1 or DAT3 with CMD without impact on functionality of NXS0506.

10. Limiting values

Table 5. Limiting values

In accordance with the Absolute Maximum Rating System (IEC 60134).

| Symbol | Parameter | Conditions | Min | Max | Unit |
|---------------------|-------------------------------|--|------|-----|------|
| V _{CC} | supply voltage | 4 ms transient; on pin V _{CCA} | -0.5 | 4.6 | V |
| | | 4 ms transient; on pin V _{CCB} | -0.5 | 4.6 | V |
| V _I | input voltage | 4 ms transient at I/O pins | -0.5 | 4.6 | V |
| P _{tot} | total power dissipation | T _{amb} = -40 °C to 85 °C | - | 250 | mW |
| T _{stg} | storage temperature | | -55 | 150 | °C |
| I _{lu(IO)} | input/output latch-up current | JESD78B: -0.5 x V _{CC} < V _I < 1.5 x V _{CC} ; T _j < 125 °C | -100 | 100 | mA |

11. Recommended operating conditions

Table 6. Operating conditions

| Symbol | Parameter | Conditions | Min | Typ | Max | Unit |
|------------------|---------------------|---|------|-----|------------------------|------|
| V _{CC} | supply voltage | on pin V _{CCA} [1] | 1.1 | - | 1.95 | V |
| | | on pin V _{CCB} [1] | 1.7 | - | 3.6 | V |
| V _I | input voltage | host side | -0.3 | - | V _{CCA} + 0.3 | V |
| | | memory card side [2] | -0.3 | - | V _{CCB} + 0.3 | V |
| T _{amb} | ambient temperature | | -40 | +25 | +85 | °C |

[1] V_{CCB} ≥ V_{CCA}

[2] The voltage must not exceed 3.6 V.

Table 7. Integrated resistors

| Symbol | Parameter | Conditions | T _{amb} = -40 °C to 85 °C | | | Unit |
|-----------------|--------------------|-----------------------------------|------------------------------------|--------|-----|------|
| | | | Min | Typ[1] | Max | |
| R _{pu} | pull-up resistance | | 42 | 70 | 100 | kΩ |
| R _s | series resistance | host side; R1 [2] | - | 22.5 | - | Ω |
| | | card side; R2 [2] | - | 15 | - | Ω |

[1] Typical values are measured at T_{amb} = 25 °C.

[2] Guaranteed by design and characterization

12. Static characteristics

Table 8. Static characteristics

At recommended operating conditions; voltages are referenced to GND (ground = 0 V); unless otherwise specified.

| Symbol | Parameter | Conditions | T _{amb} = -40 °C to 85 °C | | | Unit |
|---|------------------------------|--|------------------------------------|--------|------------------------|------|
| | | | Min | Typ[1] | Max | |
| Automatic enable feature: V_{CCB} | | | | | | |
| V _{en} | device enable voltage level | V _{CCA} ≥ 1.0 V; V _{CCB} rising edge | 0.9 | 1.2 | 1.5 | V |
| V _{dis} | device disable voltage level | V _{CCA} ≥ 1.0 V; V _{CCB} falling edge | 0.65 | 1.0 | 1.3 | V |
| Host-side input signals: CMDA, DAT0A to DAT3A and CLKA | | | | | | |
| V _{IH} | HIGH-level input voltage | 1.1 V ≤ V _{CCA} ≤ 1.95 V | 0.65V _{CCA} | - | V _{CCA} + 0.3 | V |
| V _{IL} | LOW-level input voltage | 1.1 V ≤ V _{CCA} ≤ 1.95 V | -0.3 | - | 0.35V _{CCA} | V |
| I _I | input leakage current | CLKA; V _{CCA} = 1.8 V; V _I = 0 V to 1.95 V | - | - | 1 | μA |
| Host-side output signals: CMDA and DAT0A to DAT3A | | | | | | |
| V _{OH} | HIGH-level output voltage | I _O = -2 μA; V _I = V _{IH} (card side) 1.1 V ≤ V _{CCA} ≤ 1.95 V | 0.8V _{CCA} | - | V _{CCA} + 0.3 | V |
| V _{OL} | LOW-level output voltage | I _O = 2 mA; V _I = V _{IL} (card side) 1.1 V ≤ V _{CCA} ≤ 1.95 V | -0.3 | - | 0.15V _{CCA} | V |
| Host-side output signals: CLKFB | | | | | | |
| V _{OH} | HIGH-level output voltage | I _O = -2 mA; V _I = V _{IH} (host side) 1.1 V ≤ V _{CCA} ≤ 1.95 V | 0.8V _{CCA} | - | V _{CCA} + 0.3 | V |
| V _{OL} | LOW-level output voltage | I _O = 2 mA; V _I = V _{IL} (host side) 1.1 V ≤ V _{CCA} ≤ 1.95 V | -0.3 | - | 0.15V _{CCA} | V |
| Card-side input signals: CMDb and DAT0B to DAT3B | | | | | | |
| V _{IH} | HIGH-level input voltage | 1.7 V ≤ V _{CCB} ≤ 3.6 V | 0.625V _{CCB} | - | V _{CCB} + 0.3 | V |
| V _{IL} | LOW-level input voltage | 1.7 V ≤ V _{CCB} ≤ 1.95 V | -0.3 | - | 0.35V _{CCB} | V |
| | | 2.7 V ≤ V _{CCB} ≤ 3.6 V | -0.3 | - | 0.30V _{CCB} | V |
| Card-side output signal: CMDb, DAT0B to DAT3B and CLKb | | | | | | |
| V _{OH} | HIGH-level output voltage | CLKb; V _{CCB} = 1.7 V; I _O = -2 mA; V _I = V _{IH} (host side) | 0.85V _{CCB} | - | 2.0 | V |
| | | CLKb; V _{CCB} = 2.7 V; I _O = -4 mA; V _I = V _{IH} (host side) | 0.85V _{CCB} | - | V _{CCB} + 0.3 | V |
| | | CMDB, DATnB; V _{CCB} = 1.7 V; I _O = -2 μA; V _I = V _{IH} (host side) | 0.85V _{CCB} | - | 2.0 | V |
| V _{OL} | Low-level output voltage | I _O = 2 mA; V _I = V _{IL} (host side); V _{CCB} = 1.7 V | -0.3 | - | 0.125V _{CCB} | V |
| | | I _O = 4 mA; V _I = V _{IL} (host side); V _{CCB} = 2.7 V | -0.3 | - | 0.125V _{CCB} | V |

SD 3.0-compatible memory card integrated auto-direction control and level translator with EMI filter and ESD protection

| Symbol | Parameter | Conditions | T _{amb} = -40 °C to 85 °C | | | Unit |
|----------------------------|----------------|---|------------------------------------|--------|-----|------|
| | | | Min | Typ[1] | Max | |
| Current consumption | | | | | | |
| I _{CC} | supply current | host side; all inputs = HIGH V _I = V _{CCA} ; V _{CCA} = 1.95 V; V _{CCB} = 3.6 V | - | - | 4 | μA |
| | | card side; all inputs = HIGH V _I = V _{CCA} ; V _{CCA} = 1.7 V; V _{CCB} = 1.7 V | - | - | 7 | μA |
| | | card side; all inputs = HIGH V _I = V _{CCA} ; V _{CCA} = 1.95 V; V _{CCB} = 3.6 V | - | - | 20 | μA |

[1] Typical values are measured at T_{amb} = 25 °C.

13. Dynamic characteristics

13.1. Level translator

Table 9. Level translator dynamic characteristics

At recommended operating conditions; For waveform and test circuit see Fig. 5 and Fig. 6.

| Symbol | Parameter | Conditions | T _{amb} = -40 °C to 85 °C | | | Unit |
|--|--------------------|--|------------------------------------|--------|------|------|
| | | | Min | Typ[1] | Max | |
| Host-side output transition times | | | | | | |
| t _t | transition time | V _{CCA} = 1.2 V to V _{CCA} = 1.8 V output transition time between V _X = 0.35V _{CCA} and V _Y = 0.65V _{CCA} . [2] | - | 0.3 | 1.0 | ns |
| Host-side input rise and fall times | | | | | | |
| t _r , t _f | rise and fall time | V _{CCA} = 1.2 V to 1.8 V; input rise and fall time between V _X = 0.35V _{CCA} and V _Y = 0.65V _{CCA} . | - | 0.4 | 1.0 | ns |
| Card-side output transition times | | | | | | |
| t _t | transition time | V _{CCB} = 1.8 V; output transition time between V _X = 0.45 V and V _Y = 1.4 V [2] | 0.4 | 0.88 | 1.32 | ns |
| Card-side input rise and fall times | | | | | | |
| t _r | rise time | V _{CCB} = 1.8 V; input rise time between 0.58 V and 1.27 V | 0.2 | 0.5 | 0.96 | ns |
| t _f | fall time | V _{CCB} = 1.8 V; input fall time between 0.58 V and 1.27 V | 0.2 | 0.45 | 0.96 | ns |
| Host-side to card-side propagation delay; DATnA to DATnB, CMDA to CMDB and CLKA to CLKB | | | | | | |
| t _{pd} | propagation delay | V _{CCA} = 1.2 V; V _{CCB} = 1.8 V [3] | - | 3.1 | 5.4 | ns |
| | | V _{CCA} = 1.2 V; V _{CCB} = 3.3 V [3] | - | 2.2 | 4.0 | ns |
| | | V _{CCA} = 1.8 V; V _{CCB} = 1.8 V [3] | - | 2.7 | 4.8 | ns |
| | | V _{CCA} = 1.8 V; V _{CCB} = 3.3 V [3] | - | 1.7 | 3.1 | ns |
| Card-side to host-side propagation delay; DATnB to DATnA and CMDB to CMDA | | | | | | |
| t _{pd} | propagation delay | V _{CCA} = 1.2 V; V _{CCB} = 1.8 V [3] | - | 2.7 | 4.6 | ns |
| | | V _{CCA} = 1.2 V; V _{CCB} = 3.3 V [3] | - | 1.7 | 3.0 | ns |
| | | V _{CCA} = 1.8 V; V _{CCB} = 1.8 V [3] | - | 2.7 | 4.6 | ns |
| | | V _{CCA} = 1.8 V; V _{CCB} = 3.3 V [3] | - | 1.6 | 2.7 | ns |

SD 3.0-compatible memory card integrated auto-direction control and level translator with EMI filter and ESD protection

| Symbol | Parameter | Conditions | T _{amb} = -40 °C to 85 °C | | | Unit |
|--|--------------------------|---|------------------------------------|--------|-----|------|
| | | | Min | Typ[1] | Max | |
| Host-side to host-side propagation delay; CLKA to CLKFB | | | | | | |
| t _{pd} | propagation delay | V _{CCA} = 1.2 V; V _{CCB} = 1.8 V [3] | - | 5.8 | 10 | ns |
| | | V _{CCA} = 1.2 V; V _{CCB} = 3.3 V [3] | - | 3.9 | 7.0 | ns |
| | | V _{CCA} = 1.8 V; V _{CCB} = 1.8 V [3] | - | 5.4 | 9.4 | ns |
| | | V _{CCA} = 1.8 V; V _{CCB} = 3.3 V [3] | - | 3.3 | 5.8 | ns |
| Bus signal equivalent capacitance | | | | | | |
| C _{I/O} | input/output capacitance | V _I = 0 V; f _i = 1 MHz; V _{CCA} = 1.8 V; host side [4] | - | 5 | - | pF |
| | | V _I = 0 V; f _i = 1 MHz; V _{CCB} = 1.8 V; card side [4] | - | 12 | - | pF |

- [1] Typical values are measured at T_{amb} = 25 °C.
- [2] t_i is the same as t_{THL} and t_{TLH}.
- [3] t_{pd} is the same as t_{PLH} and t_{PHL}.
- [4] EMI filter line capacitance from I/O driver to pin; C_{I/O} is guaranteed by design.

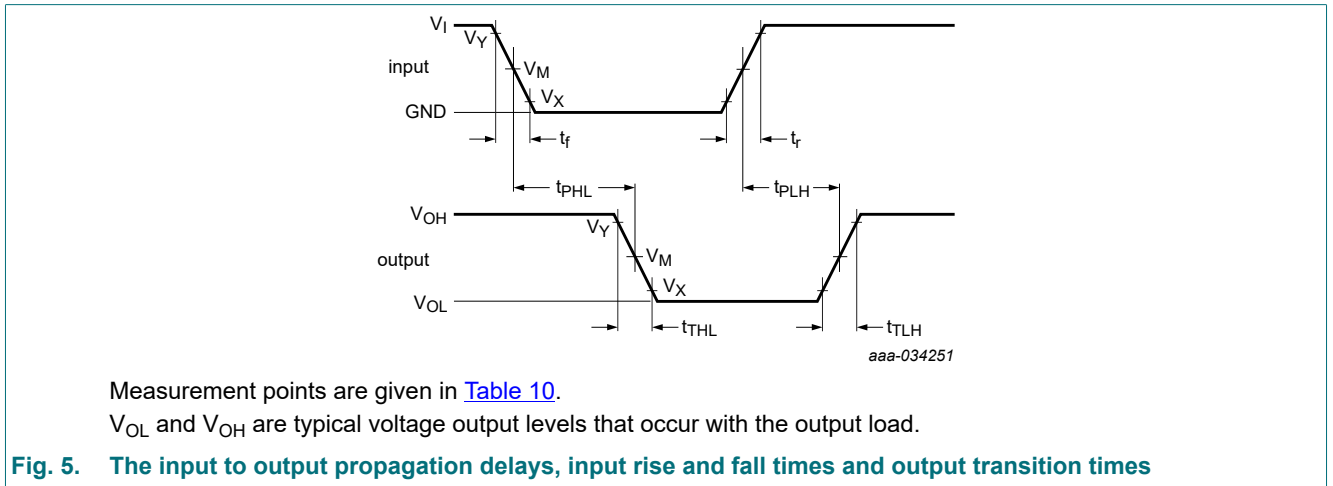
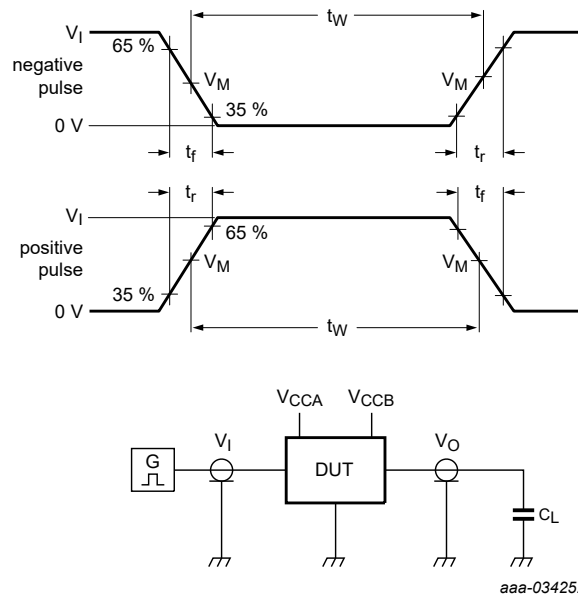


Table 10. Measurement points

| Supply voltage | | Input | | Output |
|------------------|------------------|--------------------|---------------------|---------------------|
| V _{CCA} | V _{CCB} | V _I [1] | V _M [1] | V _M [2] |
| 1.1 V to 1.95 V | 1.7 V to 3.6 V | V _{CCI} | 0.5V _{CCI} | 0.5V _{CCO} |

- [1] V_{CCI} is the supply voltage associated with the input.
- [2] V_{CCO} is the supply voltage associated with the output.

SD 3.0-compatible memory card integrated auto-direction control and level translator with EMI filter and ESD protection



Test data is given in [Table 11](#).

All input pulses are supplied by generators having the following characteristics:

PRR ≤ 10 MHz; Z_O = 50 Ω; input edges (t_r, t_f) are defined in [Section 13](#).

C_L = Load capacitance including jig and probe capacitance.

Fig. 6. Test circuit for measuring switching time

Table 11. Test data

| Supply voltage | | Input | Load | |
|------------------|------------------|--------------------|----------------------------|----------------------------|
| V _{CCA} | V _{CCB} | V _I [1] | C _L (host side) | C _L (card side) |
| 1.1 V to 1.95 V | 1.7 V to 3.6 V | V _{CCI} | 10 pF | 15 pF |

[1] V_{CCI} is the supply voltage associated with the input.

14. Application information

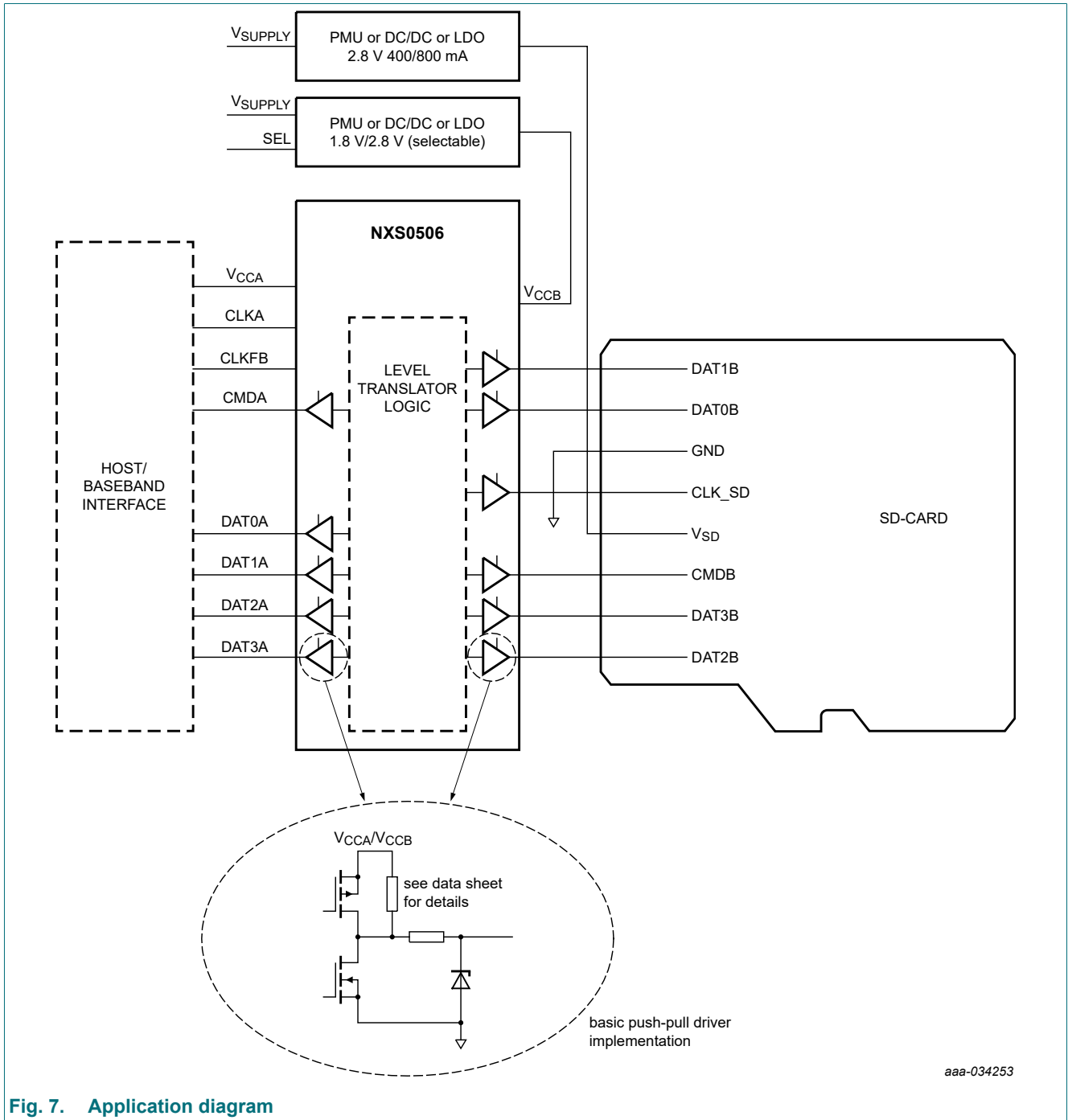


Fig. 7. Application diagram

14.1. PCB design guidelines

The translator can operate with frequencies up to 208 MHz so the PCB connections between host and translator and translator and card can start to act as transmission lines, affecting the signal integrity.

For PCB connections below 8 cm ($t_r = 0.4$ ns) no degradation of the signal integrity is to be expected. For longer connections it's important to take pre-cautions and check the signal integrity during the development phase of the PCB. If the CLKFB is used to synchronize the data that is read from the card, it is important to place the translator as close as possible to the card connector.

15. Design and assembly recommendations

15.1. PCB design guidelines

For optimum performance, use a Non-Solder Mask PCB Design (NSMD), also known as a copper-defined design, incorporating laser-drilled micro-vias connecting the ground pads to a buried ground-plane layer. This results in the lowest possible ground inductance and provides the best high frequency and ESD performance. For this case, refer to [Table 12](#) for the recommended PCB design parameters.

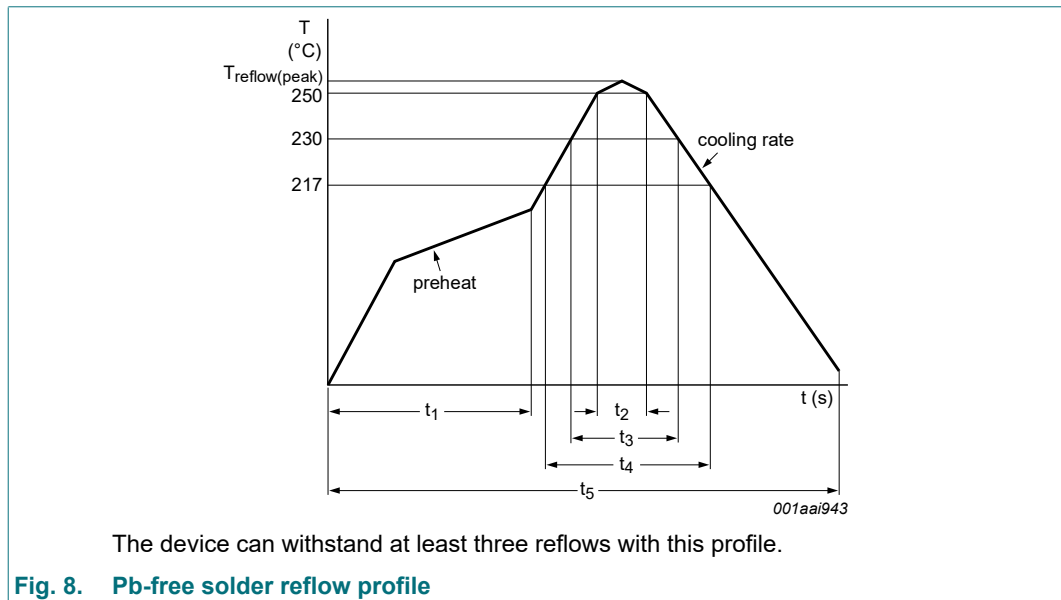
Table 12. Recommended PCB design parameters

| Parameter | Value or specification |
|----------------------------|------------------------|
| PCB Cu pad shape | circular |
| PCB Cu pad diameter | 200 μm |
| PCB solder resist diameter | 270 μm |
| WLCSP pad diameter (UBM) | 200 μm |

15.2. PCB assembly guidelines for Pb-free soldering

Table 13. Assembly recommendations

| Parameter | Value or specification |
|-------------------------------|---|
| PCB stencil shape | circular |
| PCB stencil aperture diameter | 200 μm |
| PCB stencil thickness | 80 μm |
| Solder paste material | SnAg ₄ Cu (Cu 0.5%) (SAC405) |
| Solder reflow profile | see Fig. 8 |



SD 3.0-compatible memory card integrated auto-direction control and level translator with EMI filter and ESD protection

Table 14. Reflow soldering process characteristics

 $T_{amb} = 25\text{ °C}$; unless otherwise specified.

| Symbol | Parameter | Conditions | Min | Typ | Max | Unit |
|---------------------------|----------------------------|------------------------------------|-----|-----|-----|------|
| $t_{\text{reflow(peak)}}$ | peak reflow temperature | | 230 | - | 260 | °C |
| t_1 | time 1 | soak time | 60 | - | 180 | s |
| t_2 | time 2 | time during $T \geq 250\text{ °C}$ | - | - | 30 | s |
| t_3 | time 3 | time during $T \geq 230\text{ °C}$ | 10 | - | 50 | s |
| t_4 | time 4 | time during $T \geq 217\text{ °C}$ | 30 | - | 150 | s |
| t_5 | time 5 | | - | - | 540 | s |
| dT/dt | rate of temperature change | cooling rate | - | - | -6 | °C/s |
| | | preheat | 2.5 | - | 4.0 | °C/s |

16. Package outline

WLCSP16: wafer level chip-scale package; 16 bumps; 1.455 mm x 1.455 mm x 0.43 mm body

SOT8025-1

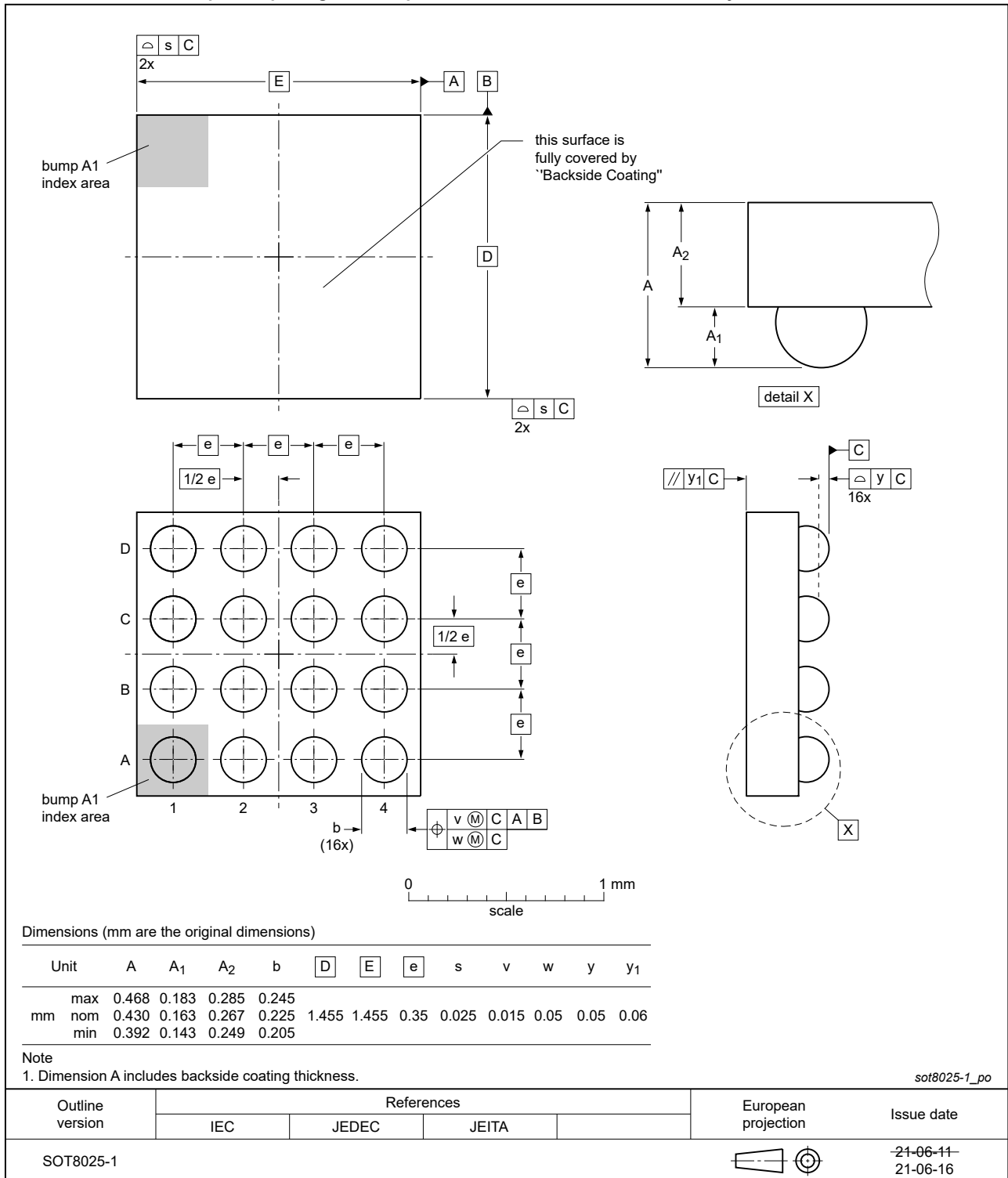


Fig. 9. Package outline SOT8025-1 (WLCSP16)

17. Abbreviations

Table 15. Abbreviations

| Acronym | Description |
|---------|-------------------------------------|
| DUT | Device Under Test |
| EMI | Electro Magnetic Interface |
| ESD | ElectroStatic Discharge |
| FR4 | Flame Retard 4 |
| LDO | Low-Dropout |
| MMC | MultiMedia Card |
| NSMD | Non-Solder Mask PCB Design |
| OSP | Organic Solderability Preservation |
| PCB | Printed-Circuit Board |
| PMU | Project Management Unit |
| PRR | Pulse Rate Repetition |
| RoHS | Restriction of Hazardous Substances |
| SD | Secure Digital |
| UBM | Under Bump Metallization |
| WLCSP | Wafer-Level Chip-Scale Package |

18. Revision history

Table 16. Revision history

| Data sheet ID | Release date | Data sheet status | Change notice | Supersedes |
|----------------|--|--------------------|---------------|-------------|
| NXS0506 v.2 | 20220308 | Product data sheet | - | NXS0506 v.1 |
| Modifications: | <ul style="list-style-type: none"> Fig. 1 and Fig. 2 have changed (errata). | | | |
| NXS0506 v.1 | 20220131 | Product data sheet | - | - |

SD 3.0-compatible memory card integrated auto-direction control and level translator with EMI filter and ESD protection

19. Legal information

Data sheet status

| Document status [1][2] | Product status [3] | Definition |
|--------------------------------|--------------------|---|
| Objective [short] data sheet | Development | This document contains data from the objective specification for product development. |
| Preliminary [short] data sheet | Qualification | This document contains data from the preliminary specification. |
| Product [short] data sheet | Production | This document contains the product specification. |

- [1] Please consult the most recently issued document before initiating or completing a design.
- [2] The term 'short data sheet' is explained in section "Definitions".
- [3] The product status of device(s) described in this document may have changed since this document was published and may differ in case of multiple devices. The latest product status information is available on the internet at <https://www.nexperia.com>.

Definitions

Draft — The document is a draft version only. The content is still under internal review and subject to formal approval, which may result in modifications or additions. Nexperia does not give any representations or warranties as to the accuracy or completeness of information included herein and shall have no liability for the consequences of use of such information.

Short data sheet — A short data sheet is an extract from a full data sheet with the same product type number(s) and title. A short data sheet is intended for quick reference only and should not be relied upon to contain detailed and full information. For detailed and full information see the relevant full data sheet, which is available on request via the local Nexperia sales office. In case of any inconsistency or conflict with the short data sheet, the full data sheet shall prevail.

Product specification — The information and data provided in a Product data sheet shall define the specification of the product as agreed between Nexperia and its customer, unless Nexperia and customer have explicitly agreed otherwise in writing. In no event however, shall an agreement be valid in which the Nexperia product is deemed to offer functions and qualities beyond those described in the Product data sheet.

Disclaimers

Limited warranty and liability — Information in this document is believed to be accurate and reliable. However, Nexperia does not give any representations or warranties, expressed or implied, as to the accuracy or completeness of such information and shall have no liability for the consequences of use of such information. Nexperia takes no responsibility for the content in this document if provided by an information source outside of Nexperia.

In no event shall Nexperia be liable for any indirect, incidental, punitive, special or consequential damages (including - without limitation - lost profits, lost savings, business interruption, costs related to the removal or replacement of any products or rework charges) whether or not such damages are based on tort (including negligence), warranty, breach of contract or any other legal theory.

Notwithstanding any damages that customer might incur for any reason whatsoever, Nexperia's aggregate and cumulative liability towards customer for the products described herein shall be limited in accordance with the Terms and conditions of commercial sale of Nexperia.

Right to make changes — Nexperia reserves the right to make changes to information published in this document, including without limitation specifications and product descriptions, at any time and without notice. This document supersedes and replaces all information supplied prior to the publication hereof.

Suitability for use — Nexperia products are not designed, authorized or warranted to be suitable for use in life support, life-critical or safety-critical systems or equipment, nor in applications where failure or malfunction of an Nexperia product can reasonably be expected to result in personal

injury, death or severe property or environmental damage. Nexperia and its suppliers accept no liability for inclusion and/or use of Nexperia products in such equipment or applications and therefore such inclusion and/or use is at the customer's own risk.

Quick reference data — The Quick reference data is an extract of the product data given in the Limiting values and Characteristics sections of this document, and as such is not complete, exhaustive or legally binding.

Applications — Applications that are described herein for any of these products are for illustrative purposes only. Nexperia makes no representation or warranty that such applications will be suitable for the specified use without further testing or modification.

Customers are responsible for the design and operation of their applications and products using Nexperia products, and Nexperia accepts no liability for any assistance with applications or customer product design. It is customer's sole responsibility to determine whether the Nexperia product is suitable and fit for the customer's applications and products planned, as well as for the planned application and use of customer's third party customer(s). Customers should provide appropriate design and operating safeguards to minimize the risks associated with their applications and products.

Nexperia does not accept any liability related to any default, damage, costs or problem which is based on any weakness or default in the customer's applications or products, or the application or use by customer's third party customer(s). Customer is responsible for doing all necessary testing for the customer's applications and products using Nexperia products in order to avoid a default of the applications and the products or of the application or use by customer's third party customer(s). Nexperia does not accept any liability in this respect.

Limiting values — Stress above one or more limiting values (as defined in the Absolute Maximum Ratings System of IEC 60134) will cause permanent damage to the device. Limiting values are stress ratings only and (proper) operation of the device at these or any other conditions above those given in the Recommended operating conditions section (if present) or the Characteristics sections of this document is not warranted. Constant or repeated exposure to limiting values will permanently and irreversibly affect the quality and reliability of the device.

Terms and conditions of commercial sale — Nexperia products are sold subject to the general terms and conditions of commercial sale, as published at <http://www.nexperia.com/profile/terms>, unless otherwise agreed in a valid written individual agreement. In case an individual agreement is concluded only the terms and conditions of the respective agreement shall apply. Nexperia hereby expressly objects to applying the customer's general terms and conditions with regard to the purchase of Nexperia products by customer.

No offer to sell or license — Nothing in this document may be interpreted or construed as an offer to sell products that is open for acceptance or the grant, conveyance or implication of any license under any copyrights, patents or other industrial or intellectual property rights.

Export control — This document as well as the item(s) described herein may be subject to export control regulations. Export might require a prior authorization from competent authorities.

Non-automotive qualified products — Unless this data sheet expressly states that this specific Nexperia product is automotive qualified, the product is not suitable for automotive use. It is neither qualified nor tested in accordance with automotive testing or application requirements. Nexperia accepts no liability for inclusion and/or use of non-automotive qualified products in automotive equipment or applications.

In the event that customer uses the product for design-in and use in automotive applications to automotive specifications and standards, customer (a) shall use the product without Nexperia's warranty of the product for such automotive applications, use and specifications, and (b) whenever customer uses the product for automotive applications beyond Nexperia's specifications such use shall be solely at customer's own risk, and (c) customer fully indemnifies Nexperia for any liability, damages or failed product claims resulting from customer design and use of the product for automotive applications beyond Nexperia's standard warranty and Nexperia's product specifications.

Translations — A non-English (translated) version of a document is for reference only. The English version shall prevail in case of any discrepancy between the translated and English versions.

Trademarks

Notice: All referenced brands, product names, service names and trademarks are the property of their respective owners.

Contents

| | |
|--|-----------|
| 1. General description | 1 |
| 2. Features and benefits | 1 |
| 3. Applications | 1 |
| 4. Ordering information | 2 |
| 5. Marking | 2 |
| 6. Block diagram | 2 |
| 7. Functional diagram | 3 |
| 8. Pinning information | 4 |
| 8.1. Pinning..... | 4 |
| 8.2. Pin description..... | 4 |
| 9. Functional description | 5 |
| 9.1. Level translator..... | 5 |
| 9.2. Enable and direction control..... | 5 |
| 9.3. Feedback clock channel..... | 5 |
| 9.4. EMI filter..... | 5 |
| 9.5. ESD protection..... | 5 |
| 9.6. Pin and channel naming..... | 6 |
| 10. Limiting values | 6 |
| 11. Recommended operating conditions | 6 |
| 12. Static characteristics | 7 |
| 13. Dynamic characteristics | 8 |
| 13.1. Level translator..... | 8 |
| 14. Application information | 11 |
| 14.1. PCB design guidelines..... | 11 |
| 15. Design and assembly recommendations | 12 |
| 15.1. PCB design guidelines..... | 12 |
| 15.2. PCB assembly guidelines for Pb-free soldering..... | 12 |
| 16. Package outline | 14 |
| 17. Abbreviations | 15 |
| 18. Revision history | 15 |
| 19. Legal information | 16 |

© Nexperia B.V. 2022. All rights reserved

For more information, please visit: <http://www.nexperia.com>
 For sales office addresses, please send an email to: salesaddresses@nexperia.com
 Date of release: 8 March 2022

X-ON Electronics

Largest Supplier of Electrical and Electronic Components

Click to view similar products for [Translation - Voltage Levels](#) category:

Click to view products by [Nexperia](#) manufacturer:

Other Similar products are found below :

[NLSX4373DMR2G](#) [NLSX5012MUTAG](#) [NLSX0102FCT1G](#) [PCA9306FMUTAG](#) [MC100EPT622MNG](#) [NLSX3014MUTAG](#)
[NLSX5011MUTCG](#) [NLVSX4373MUTAG](#) [NB3U23CMNTAG](#) [NLSX3013BFCT1G](#) [NLV7WBD3125USG](#) [NLSX3012DMR2G](#)
[NLA9306MU3TCG](#) [PI4ULS3V304AZMAEX](#) [PI4ULS3V504AZMAEX](#) [74AVCH1T45FW3-7](#) [NLSX5011AMUTAG](#) [74AXP1T34GWH](#)
[ST2149BQTR](#) [MC100ELT21DR2G](#) [MC100LVELT22MNRG](#) [MC10ELT20DR2G](#) [MC10EPT20MNR4G](#) [MC14504BFELG](#)
[NLSV4T3234FCT1G](#) [NLSX3378BFCT1G](#) [UM3208QA](#) [UM3208H](#) [UM3304](#) [UM3304QT](#) [UM3202H](#) [UM3308](#) [RS0104YTQE12](#)
[RS0204YUTQH12](#) [AW39204QNR](#) [AW39114FOR](#) [RS0104YTQF14](#) [RS0204YTQF14](#) [UM3204QT](#) [UM3204QB](#) [UM3204QV](#)
[AIPTS0104TA14.TR](#) [AIPTB0104TA14.TR](#) [UM3304QS](#) [SN74LXC2T45DCUR](#) [TCA39306DTMR](#) [NTS0102TL-Q100H](#) [AW39112DNR](#)
[XP7660](#) [RS4T774XTSS16](#)