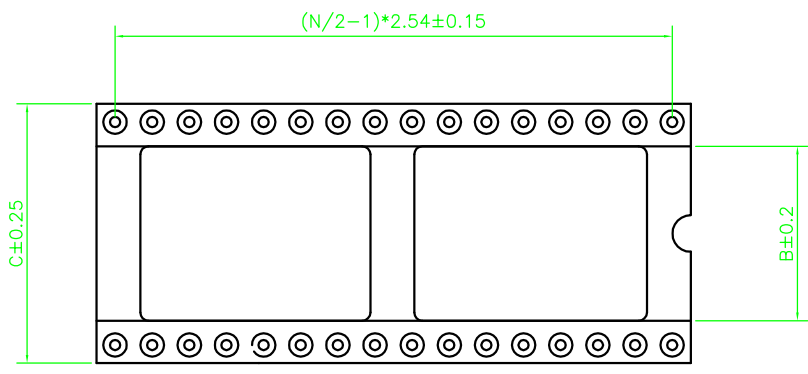
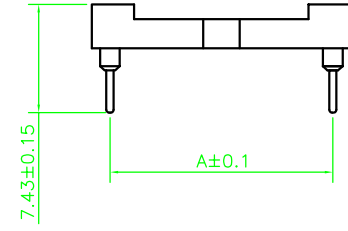
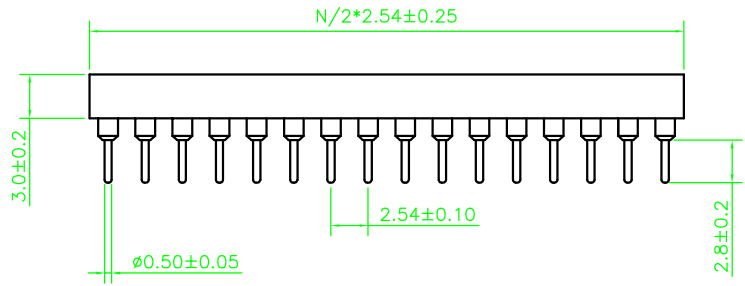


SIGN	DATE	DESCRIPTION	APPROVER
△			
△			
△			



	三型	四型	六型	九型
A	7.62	10.16	15.24	22.86
B	4.14	6.68	11.76	19.38
C	10.12	12.66	17.74	25.36

1.ELECTRICAL:

Current rating:3.0Amps/Contact MAX  
 Contact resistance:20mΩ/ Contact MAX  
 Insulation resistance:1000MΩ at V=100V MIN  
 Operating voltage:60V AC/DC

2.MECHANICAL

Average insertion force with steel pin of ø0.43mm:250g MAX  
 Average with drawal force with steel pin of ø0.43mm:25G MIN  
 Mechanical life cycle:200 cycle MIN  
 Operating temperatures:  
 Gold plated:-55°C to +125°C  
 Tin plated:-40°C ti +105°C  
 Soldering Temperature:PPS:+260°C,10S MAX  
 PBT:+240°C,10S MAX

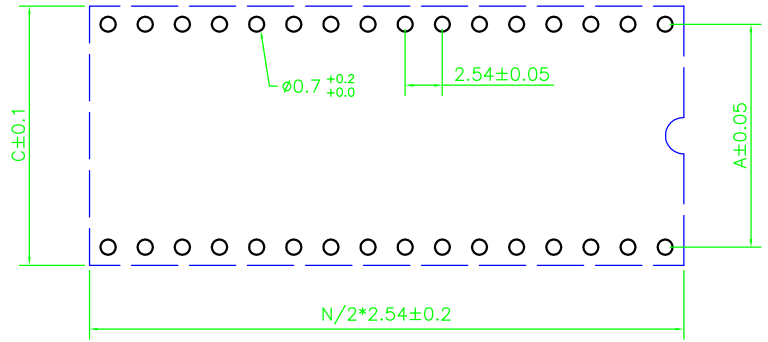
3.Material

PIN: Brass,machined  
 CLIP: Beryllium Copper or Phosphor Bronze  
 Plating(PIN):50u" Ni,100u" Sn(standard)  
 Plating(Clip):50u" Ni,GOLD FLASH(standard)  
 Insulator body(Black):PPS or other(UL94V-0)

## Ordering Information

R - 1 0 0 - X X X - X X - 1001 - 00

RoHS		NUMBER OF PIN		Dip Spacing		Housing type		PITCH	
Code	Definition	Code	Number of PIN	Code	Definition	Code	Definition	Code	Definition
Blank	No-RoHS	06	6Pin	3	7.62	1	with bar	0	2.54
R	RoHS	...	...	4	10.16	2	without bar	7	1.778
		64	64Pin	6	15.24				
				9	22.86				



P.C. Board Layout

**JHJM** 深圳市君灏精密工业有限公司  
 SHENZHEN JUNHAO ENGINEERING CO.,LTD

PART. NAME: XX芯型圆孔IC插座系列				TITLE:	
PART. NO.: 100-283-100-1001-00				DWG NAME:	
APPROVED BY	CHECKED BY	DESIGNED BY	DRAWN BY	CUSTOM NO.:	Tolerance
			Jacky		x. ±0.50
				UNITS: mm	x.x ±0.30
				SCALE:	x.xx ±0.10
				REVISION:	xx° ±1°

## X-ON Electronics

Largest Supplier of Electrical and Electronic Components

*Click to view similar products for [Nextronics](#) manufacturer:*

Other Similar products are found below :

[Z-230011850209](#) [Z-B8103421000081](#) [Z-230011814209](#) [Z-S97311126S1BT01](#) [Z-230010826209W](#) [Z-S311024S1BT1A](#) [Z-230011864209](#)  
[230-010-810-209](#) [810-3410-012-4000](#) [Z-100083200100100](#) [Z-SUBDBAF107A090](#) [Z-81050100121000](#) [Z-B8102621000081](#) [Z-](#)  
[81014100114000](#) [230-011-820-209](#) [231-011-816-106](#) [Z-100163200100100](#) [Z-230011830209](#) [100-083-200-1001-00](#) [Z-231011816106](#) [Z-](#)  
[81026100114000](#) [Z-81064100114000](#) [Z-B8101021000081](#) [Z-S5224267B0000](#) [231-011-810-106](#) [100-143-200-1001-00](#) [Z-81010100134000](#)  
[Z-S11F0207B15000](#) [Z-81030100111000](#) [Z-SUBB0B0002QH82](#) [231-011-814-106](#) [810-1410-012-4000](#) [213-8011-0021-001](#) [SUB-B0A0-](#)  
[002Q-H82](#) [Z-211-0311-0021-001](#) [Z-81014100134000](#) [100-183-100-1001-00](#) [SUB-B0C0-002Q-H82](#) [100-283-100-1001-00](#) [Z-](#)  
[SUBHBFM102A022](#) [Z-SUBHBBF107A000](#) [100-326-100-1001-00](#) [Z-23001002010BW](#) [Z-SUBDPEF1071002](#) [Z-211-0211-0021-001](#) [Z-](#)  
[SUBDBBF107A091](#) [Z-81034100111000](#) [Z-8102610012B100](#) [Z-S311016R0GK0A](#) [Z-SUBDBAF107A062](#)