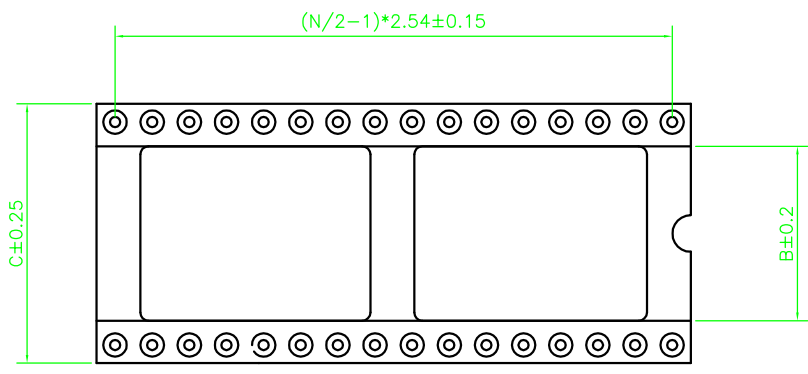
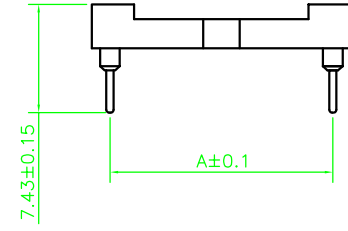
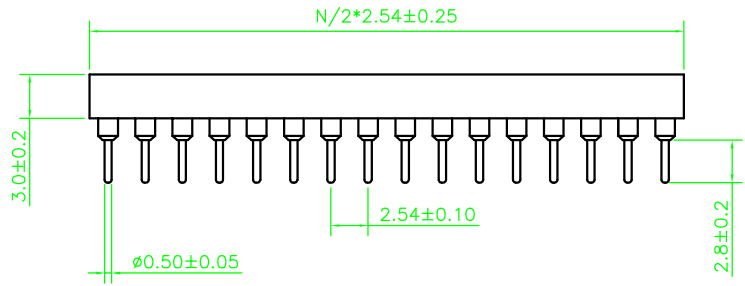


SIGN	DATE	DESCRIPTION	APPROVER
△			
△			
△			



	三型	四型	六型	九型
A	7.62	10.16	15.24	22.86
B	4.14	6.68	11.76	19.38
C	10.12	12.66	17.74	25.36

1.ELECTRICAL:

Current rating:3.0Amps/Contact MAX
 Contact resistance:20mΩ/ Contact MAX
 Insulation resistance:1000MΩ at V=100V MIN
 Operating voltage:60V AC/DC

2.MECHANICAL

Average insertion force with steel pin of ø0.43mm:250g MAX
 Average with drawal force with steel pin of ø0.43mm:25G MIN
 Mechanical life cycle:200 cycle MIN
 Operating temperatures:
 Gold plated:-55°C to +125°C
 Tin plated:-40°C ti +105°C
 Soldering Temperature:PPS:+260°C,10S MAX
 PBT:+240°C,10S MAX

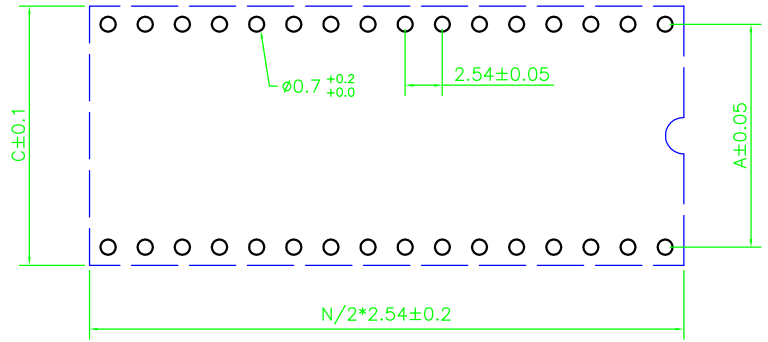
3.Material

PIN: Brass,machined
 CLIP: Beryllium Copper or Phosphor Bronze
 Plating(PIN):50u" Ni,100u" Sn(standard)
 Plating(Clip):50u" Ni,GOLD FLASH(standard)
 Insulator body(Black):PPS or other(UL94V-0)

Ordering Information

R - 1 0 0 - X X X - X X - 1001 - 00

RoHS		NUMBER OF PIN		Dip Spacing		Housing type		PITCH	
Code	Definition	Code	Number of PIN	Code	Definition	Code	Definition	Code	Definition
Blank	No-RoHS	06	6Pin	3	7.62	1	with bar	0	2.54
R	RoHS	4	10.16	2	without bar	7	1.778
		64	64Pin	6	15.24				
				9	22.86				



P.C. Board Layout

JHJM 深圳市君灏精密工业有限公司
 SHENZHEN JUNHAO ENGINEERING CO.,LTD

PART. NAME: XX芯X型圆孔IC插座系列				TITLE:	
PART. NO.: 100-326-100-1001-00				DWG NAME:	
APPROVED BY	CHECKED BY	DESIGNED BY	DRAWN BY	CUSTOM NO.:	Tolerance
			Jacky		x. ±0.50
				UNITS: mm	x.x ±0.30
				SCALE:	x.xx ±0.10
				REVISION:	xx° ±1°

X-ON Electronics

Largest Supplier of Electrical and Electronic Components

Click to view similar products for [Nextronics](#) manufacturer:

Other Similar products are found below :

[100-083-200-1001-00](#) [100-143-200-1001-00](#) [100-183-100-1001-00](#) [100-224-100-1001-00](#) [100-246-100-1001-00](#) [100-283-100-1001-00](#) [100-326-100-1001-00](#) [127-1-4010-8002-310](#) [211-4011-0021-001](#) [213-8011-0021-001](#) [213-8021-4021-001](#) [230-010-810-209](#) [230-010-826-209](#) [230-011-816-209](#) [230-011-820-209](#) [230-011-840-209](#) [230-011-860-209](#) [231-011-810-106](#) [231-011-814-106](#) [231-011-816-106](#) [231-011-826-106](#) [231-011-850-106](#) [231-011-860-106](#) [231-012-814-106](#) [231-012-816-106](#) [231-012-826-106](#) [231-012-834-106](#) [231-012-850-106](#) [231-012-860-106](#) [231-012-864-106](#) [810-1410-012-4000](#) [810-1610-012-4000](#) [810-2410-012-4000](#) [810-3410-012-4000](#) [810-5010-012-4000](#) [810-6010-012-4000](#) [B-810-1421000-08115](#) [B-810-2021000-08115](#) [B-810-3021000-08115](#) [SUB-B0A0-002Q-H82](#) [SUB-B0C0-002Q-H82](#) [SUB-DBAF-107A-092](#) [SUB-DPCF-5171-092](#) [SUB-DPEM-1021-002](#) [SUB-DRAM-602A-002](#) [SUB-HPBF-1071-002](#) [SUB-HPBF-5171-092](#) [SUB-HPDM-1021-002](#) [SUB-HRBF-607A-002](#) [Z-10004320100100](#)