

REV.	ECN NO.	APPD	DATE
AO	RELEASE	Cheng	10/28/08

NOTES:

1. MATERIALS:

- 1-1. INSULATOR: Polyester UL94V-0.
- 1-2. CONTACT: BRASS.
- 1-3. PLATED: CONTACT GOLD PLATED OVER Ni.

2. ELECTRICAL CHARACTERISTICS:

- 2-1. CURRENT RATING: 3 Amp.
- 2-2. VOLTAGE RATING: 250V AC/DC.
- 2-3. CONTACT RESISTANCE: 20 mOhms MAX.
- 2-4. INSULATION RESISTANCE: 1000 MOhms MIN.
- 2-5. WITHSTANDING VOLTAGE: 500V AC/MINUTE.
- 2-6. Operation Temperature: -25° C~+105° C.

Part NO.

R-213- **1* -002* - **0

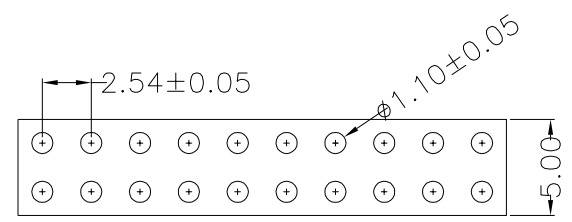
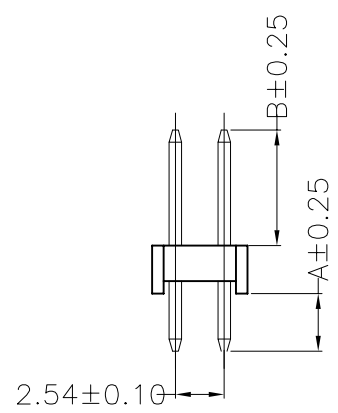
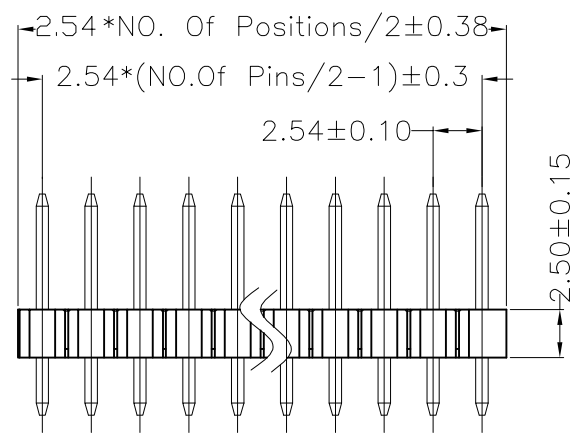
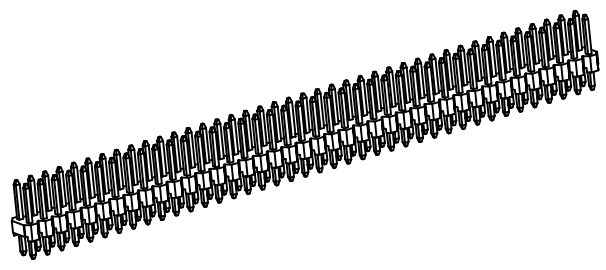
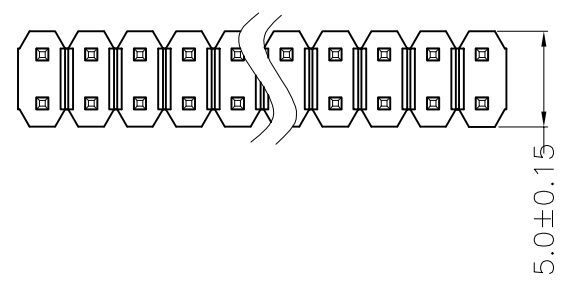
NO. Of Positions
04~80

Contact length
Dim "A" X "B"
1: 3.0x6.0
2: 2.4x6.0
3: 4.5x6.0
5: 2.54x5.84
7: 3.2x5.84
8: 3.0x10.0
C: 3.0x4.5
E: 6.0x6.0

Housing Color
0: BLACK 2: RED
4: YELLOW 6: BLUE

Housing Material
0: PBT 1: LCP
4: PA 6T 5: PA 9T

Plated
See Table (1)



PCB LAYOUT

Table (1)

Code	Definition
1	Gold/Flash
2	Gold 3u"
3	Gold 5u"
4	Gold 10u"
5	Gold 15u"
6	Gold 30u"

X ±0.5	UNITS	NAME:	SHENZHEN SHENLONGFENG INDUSTRY CO.,LTD SHENZHEN JUNHAO ENGINEERING CO.,LTD
.X ±0.38	mm	2.54mm Pin Header Double Row	
.XX ±0.25	MAT'L	PART NO.:	TITLE:
.XXX ±0.08	FINISH	SEE TABLE	2.54mm Pin Header Doble Row Straight Pin
.X° ±2°		APPD: minniehsu	DWG NO.:
THESE DRAWINGS AND SPECIFICATIONS ARE THE PROPERTY OF JUNHAO ENGINEERING CO.,LTD. AND SHALL NOT BE REPRODUCED COPIED OR USED IN ANY MANNER WITHOUT THE PRIOR WRITTEN CONSENT OF JUN HAO ENGINEERING CO.,LTD.	CHKD: jeff	10/28/08	211-4011-0021-001
	DR: cheng	10/28/08	SCALE SHEET REV.
			1:1 1/1 AO

X-ON Electronics

Largest Supplier of Electrical and Electronic Components

Click to view similar products for [Headers & Wire Housings](#) category:

Click to view products by [Nextronics](#) manufacturer:

Other Similar products are found below :

[0015917161](#) [0022155065](#) [57102-F02-18ULF](#) [58102-G61-06LF](#) [582553-1](#) [01.001.5753.1](#) [0050291907](#) [02.125.8002.8](#) [609-3404](#) [61062-3](#)
[CSU011177004](#) [622-0430](#) [622-3653LF](#) [63453-116](#) [636-1030](#) [636-1427](#) [636-3427](#) [636-4007](#) [641938-9](#) [65495-038](#) [65692-001LF](#) [65781-018](#)
[65781-047](#) [65817-010LF](#) [65817-015LF](#) [67095-007LF](#) [67601157](#) [68631-112](#) [68645-018](#) [699319-000](#) [70.362.1628.0](#) [70-4210](#) [70-4226B](#) [70-](#)
[4853B](#) [71.350.2428.0](#) [733-134](#) [733-162](#) [760-3052](#) [MHR-64-VUAL](#) [80.063.4001.1](#) [800-90-001-10-001000](#) [801-43-002-10-013000](#)
[801-43-006-10-002000](#) [803-43-024-10-001000](#) [803-93-012-10-001000](#) [8-1437020-4](#) [819-22-004-30-001101](#) [820-22-006-30-001101](#)
[820-22-008-30-001101](#) [821-22-002-10-001101](#)