

REV.	ECN NO.	APPD	DATE
AO	RELEASE	Cheng	10/28/08

NOTES:

1. MATERIALS:

- 1-1. INSULATOR: Polyester UL94V-0.
- 1-2. CONTACT: BRASS.
- 1-3. PLATED: CONTACT GOLD PLATED OVER Ni.

2. ELECTRICAL CHARACTERISTICS:

- 2-1. CURRENT RATING: 3 Amp.
- 2-2. VOLTAGE RATING: 250V AC/DC.
- 2-3. CONTACT RESISTANCE: 20 mOhms MAX.
- 2-4. INSULATION RESISTANCE: 1000 MOhms MIN.
- 2-5. WITHSTANDING VOLTAGE: 500V AC/MINUTE.
- 2-6. Operation Temperature: -25° C~+105° C.

Part NO.

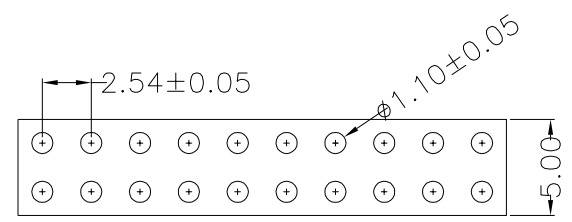
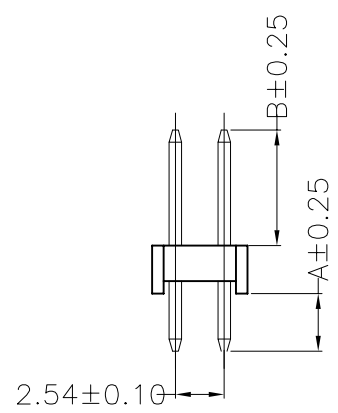
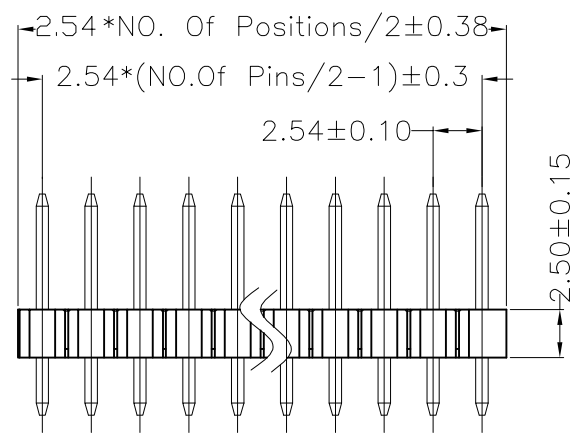
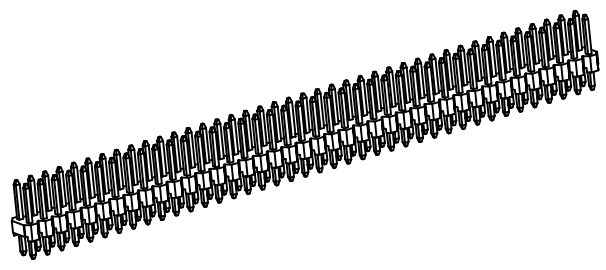
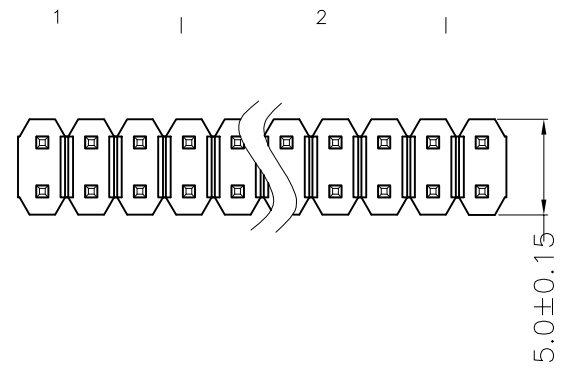
R-213- **1* -002* - **0

NO. Of Positions 04~80
 Contact length
 Dim "A" X "B"
 1: 3.0x6.0
 2: 2.4x6.0
 3: 4.5x6.0
 5: 2.54x5.84
 7: 3.2x5.84
 8: 3.0x10.0
 C: 3.0x4.5
 E: 6.0x6.0

Housing Color
 0: BLACK 2: RED
 4: YELLOW 6: BLUE

Housing Material
 0: PBT 1: LCP
 4: PA 6T 5: PA 9T

Plated
 See Table (1)

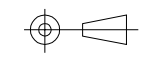


PCB LAYOUT

Table (1)

Code	Definition
1	Gold/Flash
2	Gold 3u"
3	Gold 5u"
4	Gold 10u"
5	Gold 15u"
6	Gold 30u"

X ±0.5	UNITS	NAME:	SHENZHEN SHENLONGFENG INDUSTRY CO.,LTD SHENZHEN JUNHAO ENGINEERING CO.,LTD		
.X ±0.38	mm	2.54mm Pin Header Double Row			
.XX ±0.25	MAT'L	PART NO.:	TITLE:		
.XXX ±0.08	FINISH	SEE TABLE	2.54mm Pin Header Doble Row Straight Pin		
.X" ±2"		APPD: minniehsu	DWG NO.: 213-8011-0021-001		
		CHKD: jeff	SCALE	SHEET	REV.
		DR: cheng	1:1	1/1	AO



F
—
E
—
D
—
C
—
B
—
A

1 | 2 | 3 | 4 | 5 | 6 | 7 | 8

X-ON Electronics

Largest Supplier of Electrical and Electronic Components

Click to view similar products for [Headers & Wire Housings](#) category:

Click to view products by [Nextronics](#) manufacturer:

Other Similar products are found below :

[0015917161](#) [0022155065](#) [57102-F02-18ULF](#) [58102-G61-06LF](#) [582553-1](#) [01.001.5753.1](#) [0050291907](#) [02.125.8002.8](#) [609-3404](#) [61062-3](#)
[CSU011177004](#) [622-0430](#) [622-3653LF](#) [63453-116](#) [636-1030](#) [636-1427](#) [636-3427](#) [636-4007](#) [641938-9](#) [65495-038](#) [65692-001LF](#) [65781-018](#)
[65781-047](#) [65817-010LF](#) [65817-015LF](#) [67095-007LF](#) [67601157](#) [68631-112](#) [68645-018](#) [699319-000](#) [70.362.1628.0](#) [70-4210](#) [70-4226B](#) [70-](#)
[4853B](#) [71.350.2428.0](#) [733-134](#) [733-162](#) [760-3052](#) [MHR-64-VUAL](#) [80.063.4001.1](#) [800-90-001-10-001000](#) [801-43-002-10-013000](#)
[801-43-006-10-002000](#) [803-43-024-10-001000](#) [803-93-012-10-001000](#) [8-1437020-4](#) [819-22-004-30-001101](#) [820-22-006-30-001101](#)
[820-22-008-30-001101](#) [821-22-002-10-001101](#)