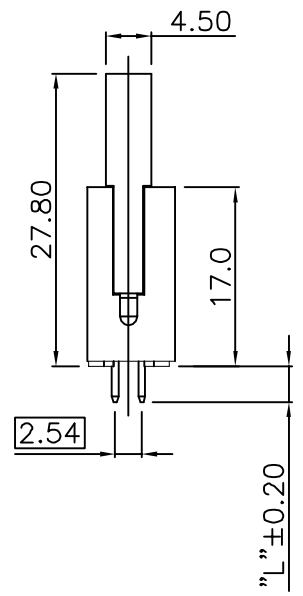
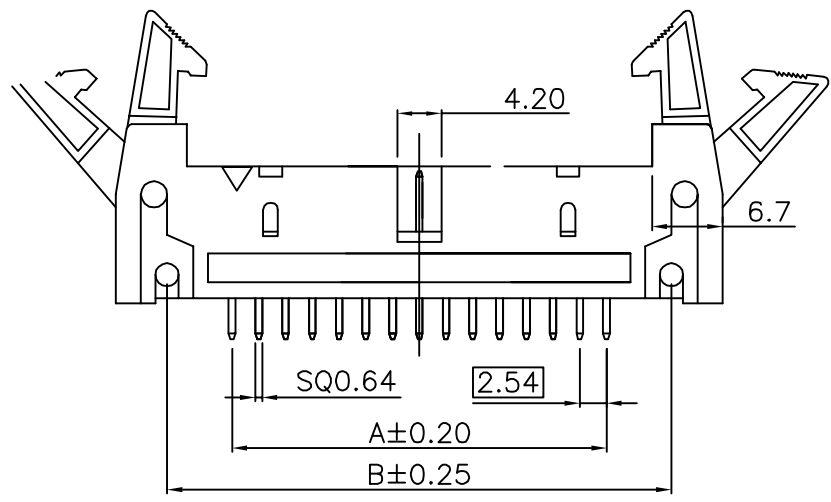


| | | | |
|------|-------|-------------------|------------|
| SIGN | DATE | DESCRIPTION | APPROVER |
| △ | 08.09 | NEW PRODUCT ISSUE | nierzhenqi |
| △ | | | |
| △ | | | |



NOTES:

- MATERIALS:
 - 1-1.INSULATOR:PBT+30%GF UL94V-0, BLACK.
 - 1-2.CONTACT:Copper ALLOY.
 - 1-3.PLATED:CONTACT GOLD PLATED OVER Ni.
- ELECTRICAL CHARACTERISTICS:
 - 2-1.CURRENT RATING:3 Amp.
 - 2-2.CONTACT RESISTANCE: 20 mOhms Max.
 - 2-3.WITHSTANDING VOLTAGE: 500V AC Min.
 - 2-4.INSULATION RESISTANCE:1000 MOhms Min.
 - 2-5.Operation Temperature:-40° C~+105° C.

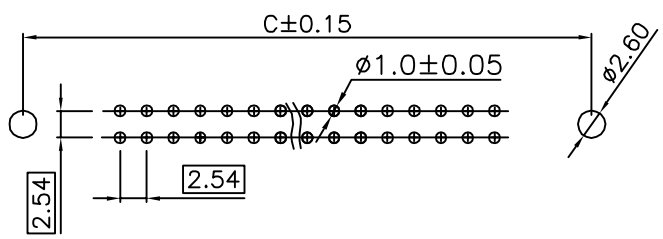
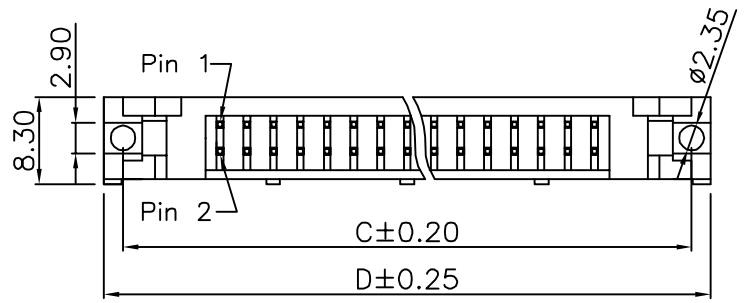
Part NO.

230-0*0-***-20*

Solder length
Dim"L"
1:3.4
3:4.0
4:2.9
7:4.5
Housing Color
0:Black
6:Blue
8:Grey

Plated
2:G/F
3:Au 10u"
4:Au 15u"
5:Au 30u"
9:Au 3u"
A:Au 5u"
NO.Of Positions
6~64

| PIN | A±0.20 | B±0.25 | C±0.20 | D±0.25 |
|-----|--------|--------|--------|--------|
| 6 | 5.08 | 16.76 | 22.86 | 26.92 |
| 8 | 7.62 | 19.30 | 25.40 | 29.46 |
| 10 | 10.16 | 21.84 | 27.94 | 32.00 |
| 14 | 15.24 | 26.92 | 33.02 | 37.08 |
| 16 | 17.78 | 29.46 | 35.56 | 39.62 |
| 18 | 20.32 | 32.00 | 38.10 | 42.16 |
| 20 | 22.86 | 34.54 | 40.64 | 44.70 |
| 24 | 27.94 | 39.62 | 45.72 | 49.78 |
| 26 | 30.48 | 42.16 | 48.26 | 52.32 |
| 30 | 35.56 | 47.24 | 53.34 | 57.40 |
| 34 | 40.64 | 52.32 | 58.42 | 62.48 |
| 40 | 48.26 | 59.94 | 66.04 | 70.10 |
| 50 | 60.96 | 72.64 | 78.74 | 82.80 |
| 60 | 73.66 | 85.35 | 91.44 | 95.50 |
| 64 | 78.74 | 90.42 | 96.52 | 100.58 |



PCB LAYOUT

nexttron 正凌精密工业股份有限公司
NEXTRONICS ENGINEERING CORP

| | | | | | |
|---|------------|-------------|------------|--|------------|
| PART. NAME: xxPIN 2.54mm EJECTOR HEADER CONNECTOR | | | | TITLE: 2.54mm EJECTOR HEADER STRAIGHT Type | |
| PART. NO.: SEE TABLE | | | | DWG NAME: 230-010-830-209 | |
| APPROVED BY | CHECKED BY | DESIGNED BY | DRAWN BY | CUSTOM NO.: | Tolerance |
| jeff | jeff | | nierzhenqi | | x. ±0.50 |
| | | | | UNITS: mm | x.x ±0.20 |
| | | | | SCALE: | x.xx ±0.10 |
| | | | | REVISION: | xx' ±1" |

X-ON Electronics

Largest Supplier of Electrical and Electronic Components

Click to view similar products for [I/O Connectors](#) category:

Click to view products by [Nextronics](#) manufacturer:

Other Similar products are found below :

[571763P](#) [D20419-211](#) [72.250.1628.2](#) [72.250.2428.2](#) [76.350.0729.0](#) [76871-1403](#) [PCR-E36PM](#) [PCS-XE26LKA](#) [PCS-XES68MS+](#)
[G38A71314B](#) [9776-18-6](#) [1571250010](#) [157-22500-3](#) [MS3471L14-19P L/C](#) [192991-0703](#) [91-644626-35P](#) [172501-6002](#) [FCN-260C008-A/L0](#)
[FCN-260C024-AL0](#) [FCN-261Z008](#) [2000314-1](#) [200331-1](#) [PCS-E28FS+](#) [PCS-XE26SLFD+](#) [PCS-XE26SLFDT+](#) [G730VID08BDC24](#) [HDMR-](#)
[29-01-S-SM-TR](#) [HDRA-E68W1LFDTC-SL+](#) [HDR-E14MSG1+](#) [54182-0605](#) [UE86K842720321](#) [38113800006](#) [DP3AR020WQ1R200](#)
[Z4.102.0680.0](#) [500-1040](#) [500-1052](#) [500-1054](#) [ZP-4008-66L](#) [10-565995-597N](#) [10-584459-12P](#) [5554841-1](#) [SM3106F14S-7S-LC](#)
[U90B3054061110](#) [U65-E04-4020](#) [ZPF000000000097891](#) [557-262M2-06C](#) [PCS-96LFD+](#) [60-042222-02S](#) [10099439-003C-TRLF](#) [226-0348-](#)
[000](#)