

| | | | |
|------|-------|-------------------|------------|
| SIGN | DATE | DESCRIPTION | APPROVER |
| △ | 11.30 | NEW PRODUCT ISSUE | nierzhenqi |
| △ | | | |
| △ | | | |

NOTES:

1.MATERIAL:

Insulator:Glass filled polyester,UL94V-0.
Contact:Brass.

PLATING:

Contact Area:GOLD PLATING OVER NICKEL.

2.ELECTRICAL

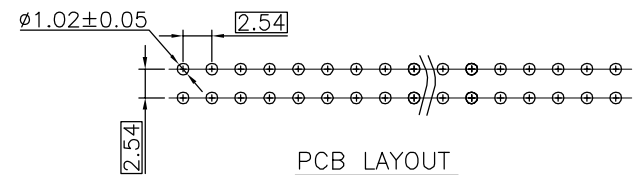
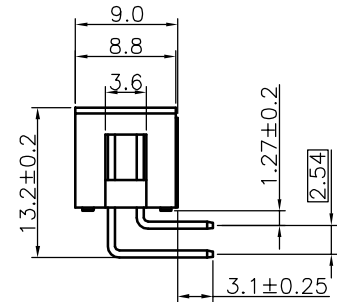
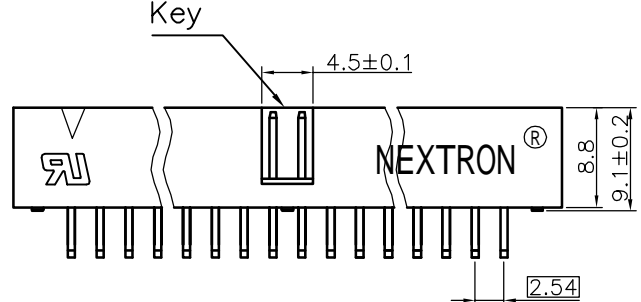
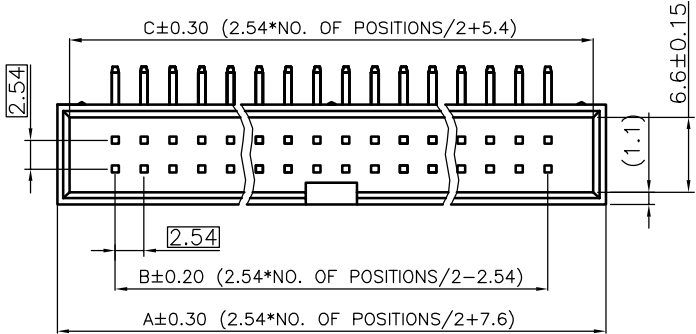
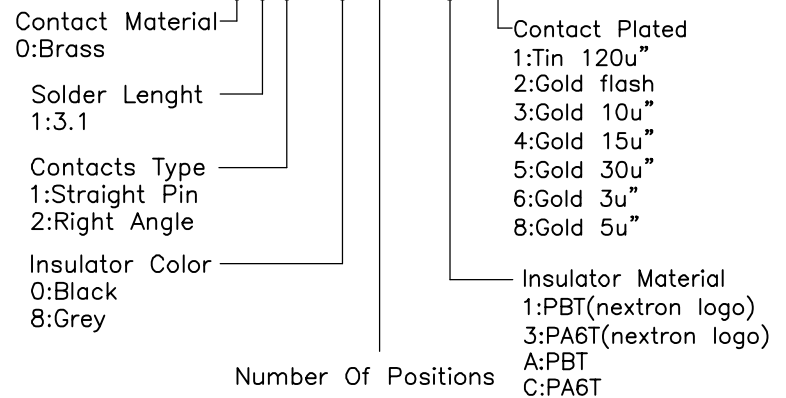
VOLTAGE RATING:250V AC/DC.
CONTACT CURRENT RATING:3 AMP PER PIN.
CONTACT RESISTANCE:20 Milliohms MAXIMUM.
INSULATION RESISTANCE:1000 Megohms MINIMUM.
DIELECTRIC WITHSTANDING VOLTAGE:1000 V r.m.s.

4. ENVIRONMENTAL

TEMPERATURE TANGE: -40° C TO + 105° C.

5.60 and 64P with three key.0thers with one key.

231-012-XXX-XOX



| PIN | A±0.30 | B±0.20 | C±0.30 |
|-----|--------|--------|--------|
| 8 | 17.76 | 7.62 | 15.56 |
| 10 | 20.30 | 10.16 | 18.1 |
| 14 | 25.38 | 15.24 | 23.18 |
| 16 | 27.92 | 17.78 | 25.72 |
| 18 | 30.46 | 20.32 | 28.26 |
| 20 | 33.00 | 22.86 | 30.80 |
| 24 | 38.08 | 27.94 | 35.88 |
| 26 | 40.62 | 30.48 | 38.42 |
| 30 | 45.70 | 35.56 | 43.50 |
| 34 | 50.78 | 40.64 | 48.58 |
| 40 | 58.40 | 48.26 | 56.20 |
| 50 | 71.10 | 60.96 | 68.90 |
| 60 | 83.80 | 73.66 | 81.60 |
| 64 | 88.88 | 78.74 | 86.68 |

nextron 正凌精密工业股份有限公司
NEXTRONICS ENGINEERING CORP

| | | | | | | | |
|---|--|------|--|--|--|--------------------|--|
| PART. NAME: xxPIN 2.54mm BOX HEADER CONNECTOR | | | | TITLE: 2.54mm BOX HEADER RIGHT ANGLE CONNECTOR | | | |
| PART. NO.: | | | | SEE TABLE | | | |
| APPROVED BY | | | | DWG NAME: 231-012-860-106 | | | |
| jeff | | jeff | | niezhenqi | | CUSTOM NO.: | |
| | | | | | | Tolerance | |
| | | | | | | UNITS: mm x. ±0.50 | |
| | | | | | | SCALE: x.xx ±0.20 | |
| | | | | | | REVISION: xx' ±1° | |

X-ON Electronics

Largest Supplier of Electrical and Electronic Components

Click to view similar products for [I/O Connectors](#) category:

Click to view products by [Nextronics](#) manufacturer:

Other Similar products are found below :

[571763P](#) [61-168618-12P](#) [D20419-211](#) [72.250.1628.2](#) [72.250.2428.2](#) [76.350.0729.0](#) [76871-1403](#) [PCR-E36PM](#) [PCS-XE26LKA](#) [PCS-XES68MS+](#) [G38A71314B](#) [9776-18-6](#) [1571250010](#) [157-22500-3](#) [MS3471L14-19P L/C](#) [192991-0703](#) [91-644626-35P](#) [172501-6002](#) [FCN-260C008-A/L0](#) [FCN-260C024-AL0](#) [FCN-261Z008](#) [2000314-1](#) [200331-1](#) [PCS-E28FS+](#) [PCS-XE26SLFD+](#) [PCS-XE26SLFDT+](#) [G730VID08BDC24](#) [HDMR-29-01-S-SM-TR](#) [HDRA-E68W1LFDTC-SL+](#) [54182-0605](#) [UE86K842720321](#) [38113800006](#) [DP3AR020WQ1R200](#) [Z4.102.0680.0](#) [500-1040](#) [500-1052](#) [500-1054](#) [ZP-4008-66L](#) [10-565995-597N](#) [10-584459-12P](#) [5554841-1](#) [SM3106F14S-7S-LC](#) [SM3106R18-18S](#) [U90B3054061110](#) [U65-E04-4020](#) [ZPF000000000097891](#) [557-262M2-06C](#) [PCS-96LFD+](#) [60-042222-02S](#) [10099439-003C-TRLF](#)