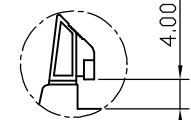


LONG LATCH

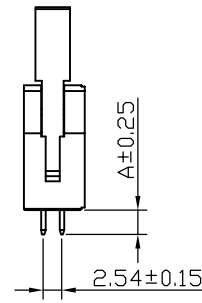
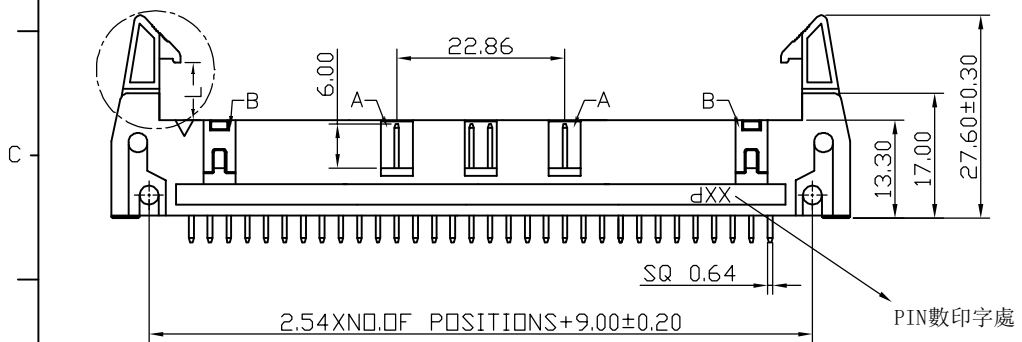


SHORT LATCH

NOTES:
 CURRENT RATING:3.0AMP
 CONTACT RESISTANCE:20mΩ MAX
 WITHSTAND VOLTAGE:1000V AC/DC
 INSULATION RESISTANCE:1000MΩ MIN
 OPERATION TEMPERATURE:-40°C TO +105°C

CONTACT MATERIAL:BRASS
 CONTACT PLATING:AU OR SN OVER NI
 INSULATOR MATERIAL:PBT OR PA9T+30%G.F
 UL94V-0

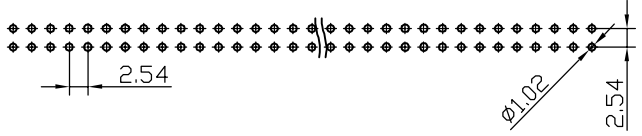
06P-18P WITHOUT SLOT "A" AND "B"
 20P-58P WITHOUT SOLT "A",WITH SLOT "B"
 60P-64P WITH SLOT "A" AND "B"



PART NO.

Z-23001 * * * * * W
 INSULATION MATERIAL
 0=PBT
 2=PA9T
 INSULATION COLOR
 0=BLACK
 8=GREY(427C)
 NO OF Pins
 06 24
 08 26
 10 30
 12 34
 14 40
 16 50
 18 60
 20 64
 LATCH
 0=NO LATCH
 1=SHORT LATCH
 2=LONG LATCH
 PLATED
 2=GOLD FLASH
 3=Au 10u"
 4=Au 15u"
 5=Au 30u"
 9=Au 3u"
 8=Au 5u"
 B=GOLD FLASH/TIN
 6=Au 10u"/TIN
 7=Au 30u"/TIN
 A=Au 15u"/TIN
 C=Au 3u"/TIN
 D=Au 5u"/TIN
 0=TIN
 Packing
 0=Tray
 1=Tube

RECOMMENDED P.C.B LAYOUT(TOP SIDE)
 (PCB BOARD TOLERANCE±0.05)



	PIN LENGTH	DIM.A
STANDARD	16.0	3.30
ALTERNATE	17.3	4.50
ALTERNATE	---	---

REV.	DESCRIPTION	DATE	APPD
A	NEW RELEASED	11/17'15	楊海文

UNITS <input checked="" type="checkbox"/> mm <input type="checkbox"/> INCH		NAME: 2.54mm HEADER 180°	NEXTRONICS ENGINEERING CORP.	
GENERAL TOLERANCES: (UNLESS SPECIFIED)		PART NO: Z-23001*****W	TITLE: CUSTOMER DWG	
		APPD: 楊海文 11/17'15	DWG NO: 010-0000-E93	
		CHKD: 廖小瓊 11/17'15	C	
		DRAWN: 陳惠枝 11/17'15	SCALE: 1/1	SHEET: 1/1
4 PLACE	± **	± **	REV.:	A
3 PLACE	± **	± **		
2 PLACE	± 0.25	± **		
1 PLACE	± 0.40	± **		
ANGULAR:	X°±**	X°±**		

X-ON Electronics

Largest Supplier of Electrical and Electronic Components

Click to view similar products for [Headers & Wire Housings](#) category:

Click to view products by [Nextronics](#) manufacturer:

Other Similar products are found below :

[57102-F02-18ULF](#) [58102-G61-06LF](#) [0009485154](#) [009176003701906](#) [0050291907](#) [02.125.8002.8](#) [609-3404](#) [61062-3](#) [622-0430](#) [622-3653LF](#)
[63453-116](#) [636-1030](#) [636-1427](#) [636-3427](#) [636-4007](#) [641938-9](#) [644827-2](#) [65495-038](#) [65692-001LF](#) [65781-018](#) [65781-047](#) [65817-010LF](#)
[65817-015LF](#) [66207-023LF](#) [67016-026LF](#) [67095-007LF](#) [68631-112](#) [68645-018](#) [68648-049](#) [699319-000](#) [70.362.1628.0](#) [70-4210](#) [70-4226B](#)
[70-4853B](#) [707-5020](#) [707-5028](#) [71.350.2428.0](#) [71961-016LF](#) [733-134](#) [754199-000](#) [760-3052](#) [787-8014-00](#) [FCN-367T-T012/H](#) [80.063.4001.1](#)
[800-90-001-10-001000](#) [800-90-010-10-002000](#) [801-43-002-10-013000](#) [801-43-006-10-002000](#) [803-41-018-10-001000](#) [803-43-014-20-](#)
[001000](#)