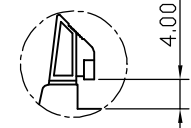


LONG LATCH

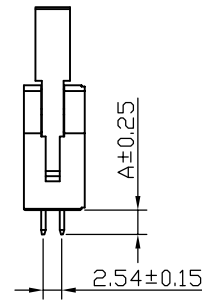
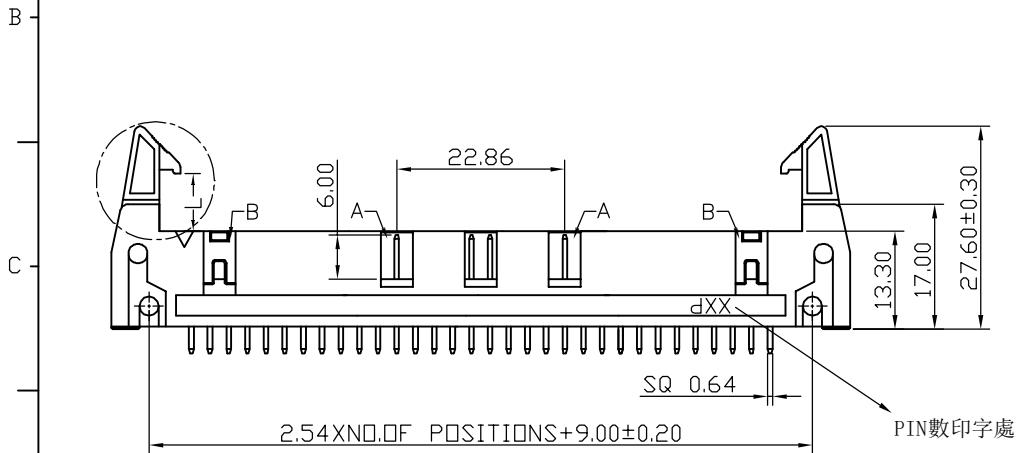


SHORT LATCH

NOTES:  
 CURRENT RATING:3.0AMP  
 CONTACT RESISTANCE:20mΩ MAX  
 WITHSTAND VOLTAGE:1000V AC/DC  
 INSULATION RESISTANCE:1000MΩ MIN  
 OPERATION TEMPERATURE:-40°C TO +105°C

CONTACT MATERIAL:BRASS  
 CONTACT PLATING:AU OR SN OVER NI  
 INSULATOR MATERIAL:PBT OR PA9T+30%G.F  
 UL94V-0

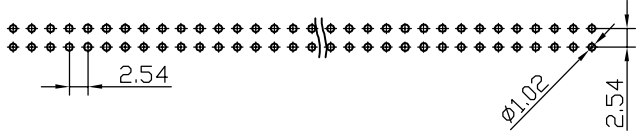
06P-18P WITHOUT SLOT "A" AND "B"  
 20P-58P WITHOUT SOLT "A",WITH SLOT "B"  
 60P-64P WITH SLOT "A" AND "B"



PART NO.

Z-23001 \* \* \* \* \* W  
 INSULATION MATERIAL  
 0=PBT  
 2=PA9T  
 INSULATION COLOR  
 0=BLACK  
 8=GREY(427C)  
 NO OF Pins  
 06 24  
 08 26  
 10 30  
 12 34  
 14 40  
 16 50  
 18 60  
 20 64  
 LATCH  
 0=NO LATCH  
 1=SHORT LATCH  
 2=LONG LATCH  
 PLATED  
 2=GOLD FLASH  
 3=Au 10u"  
 4=Au 15u"  
 5=Au 30u"  
 9=Au 3u"  
 8=Au 5u"  
 B=GOLD FLASH/TIN  
 6=Au 10u"/TIN  
 7=Au 30u"/TIN  
 A=Au 15u"/TIN  
 C=Au 3u"/TIN  
 D=Au 5u"/TIN  
 0=TIN  
 Packing  
 0=Tray  
 1=Tube

RECOMMENDED P.C.B LAYOUT(TOP SIDE)  
 (PCB BOARD TOLERANCE±0.05)



	PIN LENGTH	DIM.A
STANDARD	16.0	3.30
ALTERNATE	17.3	4.50
ALTERNATE	---	---

REV.	DESCRIPTION	DATE	APPD
A	NEW RELEASED	11/17'15	楊海文

UNITS	
mm	INCH
4 PLACE	± ** ±. **
3 PLACE	± ** ±. **
2 PLACE	± 0.25 ±. **
1 PLACE	± 0.40 ±. **
ANGULAR:	X°±** X°±**

NAME:	2.54mm HEADER 180°
PART NO:	Z-23001*****W
APPD:	楊海文 11/17'15
CHKD:	廖小瓊 11/17'15
DRAWN:	陳惠枝 11/17'15

 NEXTRONICS ENGINEERING CORP.	
TITLE: CUSTOMER DWG	
DWG NO:	010-0000-E93
SCALE:	1/1
SHEET:	1/1
REV.:	A

## X-ON Electronics

Largest Supplier of Electrical and Electronic Components

*Click to view similar products for [Headers & Wire Housings](#) category:*

*Click to view products by [Nextronics](#) manufacturer:*

Other Similar products are found below :

[57102-F02-18ULF](#) [58102-G61-06LF](#) [0009485154](#) [009176003701906](#) [0050291907](#) [02.125.8002.8](#) [609-3404](#) [61062-3](#) [622-0430](#) [622-3653LF](#)  
[63453-116](#) [636-1030](#) [636-1427](#) [636-3427](#) [636-4007](#) [641938-9](#) [644827-2](#) [65495-038](#) [65692-001LF](#) [65781-018](#) [65781-047](#) [65817-010LF](#)  
[65817-015LF](#) [66207-023LF](#) [67016-026LF](#) [67095-007LF](#) [68631-112](#) [68645-018](#) [68648-049](#) [699319-000](#) [70.362.1628.0](#) [70-4210](#) [70-4226B](#)  
[70-4853B](#) [707-5020](#) [707-5028](#) [71.350.2428.0](#) [71961-016LF](#) [733-134](#) [754199-000](#) [760-3052](#) [787-8014-00](#) [FCN-367T-T012/H](#) [80.063.4001.1](#)  
[800-90-001-10-001000](#) [800-90-010-10-002000](#) [801-43-002-10-013000](#) [801-43-006-10-002000](#) [803-41-018-10-001000](#) [803-43-014-20-](#)  
[001000](#)