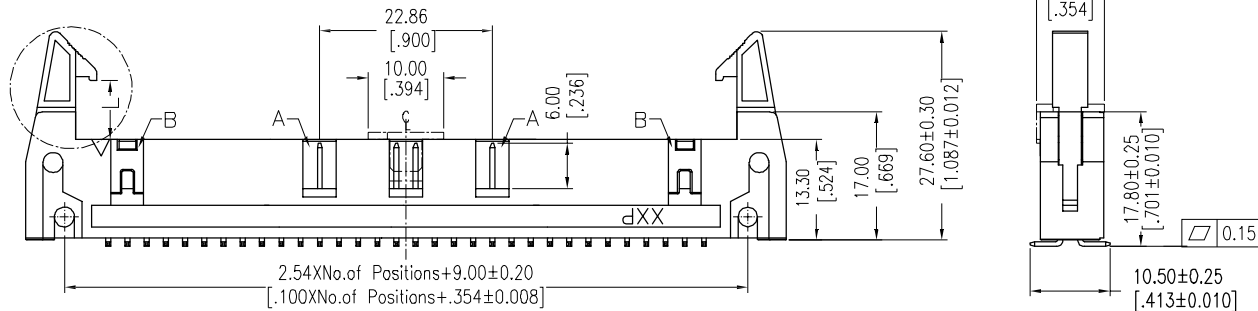
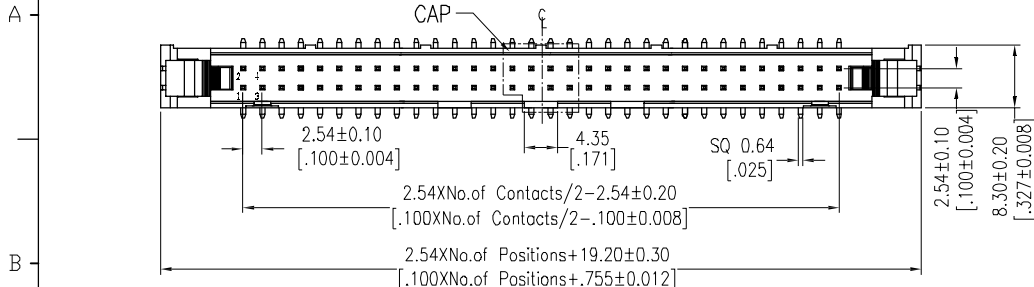
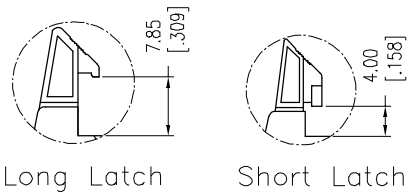
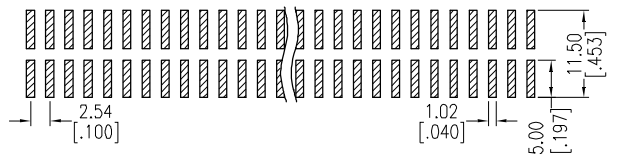


1 2 3 4 5 6 7 8



Recommended P.C.B Layout(Top Side)  
(PCB BOARD TOLERANCE±0.05)



NOTES:  
 Current Rating: 3.0AMP  
 Contact Resistance: 20mΩ Max  
 Withstand Voltage: 1000V AC/DC  
 Insulation Resistance: 1000MΩ Min  
 Operation Temperature: -40°C to +105°C

Contact Material:Brass  
 Contact plating:Au Or Sn over Ni  
 Insulator Material:PA9T+30%G.F UL94V-0

06P-18P Without Slot "A" and "B"  
 20P-58P Without Slot "A", With Slot "B"  
 60P-64P With Slot "A" and "B"

### Ordering Information

Z-S973210 XX M XX B X X 1

No. of Pins	Contact Plating	Insulator Color	Latch Type	Packing
06 24	G0=Gold Flash	B=Black	L=Long Latch	T=Tube
08 26	G3=10u"Gold	U=Blue	S=Short Latch	P=Tube+CAP
10 30	G4=15u"Gold	G=Grey(427C)	N=Without Latch	
12 34	G5=30u"Gold	E=Grey(413C)		
14 40	S0=Gold Flash/Tin			
16 50	S3=10u"Gold/Tin			
18 60	S4=15u"Gold/Tin			
20 64	S5=30u"Gold/Tin			
	SN=Tin			

Item	Pitch	Mating
Standard	2.54	5211
Alternate		

REV.	DESCRIPTION	DATE	APPD
A	NEW RELEASED	7/7'14	

UNITS		NAME:	NEXTRON <sup>®</sup>	
■mm □INCH		2.54 EJECTOR HEADER SMT	NEXTRONICS ENGINEERING CORP.	
GENERAL TOLERANCES: (UNLESS SPECIFIED)		PART NO:	TITLE:	
	mm	Z-S973210***M**B**1	CUSTOMER DWG	
4 PLACE	± **.15	APPD:	DWG NO:	C
3 PLACE	± 0.15	CHKD:	***	
2 PLACE	± 0.25	CHKD:	SCALE:	SHEET:
1 PLACE	± 0.40	DRAWN:	4 / 1	1 / 1
ANGULAR:	X°± 3°		REV.:	A

## X-ON Electronics

Largest Supplier of Electrical and Electronic Components

*Click to view similar products for [Headers & Wire Housings](#) category:*

*Click to view products by [Nextronics](#) manufacturer:*

Other Similar products are found below :

[57102-F02-18ULF](#) [58102-G61-06LF](#) [0009485154](#) [009176003701906](#) [0050291907](#) [02.125.8002.8](#) [609-3404](#) [61062-3](#) [622-0430](#) [622-3653LF](#)  
[63453-116](#) [636-1030](#) [636-1427](#) [636-3427](#) [636-4007](#) [641938-9](#) [644827-2](#) [65495-038](#) [65692-001LF](#) [65781-018](#) [65781-047](#) [65817-010LF](#)  
[65817-015LF](#) [66207-023LF](#) [67016-026LF](#) [67095-007LF](#) [68631-112](#) [68645-018](#) [68648-049](#) [699319-000](#) [70.362.1628.0](#) [70-4210](#) [70-4226B](#)  
[70-4853B](#) [707-5020](#) [707-5028](#) [71.350.2428.0](#) [71961-016LF](#) [733-134](#) [754199-000](#) [760-3052](#) [787-8014-00](#) [FCN-367T-T012/H](#) [80.063.4001.1](#)  
[800-90-001-10-001000](#) [800-90-010-10-002000](#) [801-43-002-10-013000](#) [801-43-006-10-002000](#) [803-41-018-10-001000](#) [803-43-014-20-](#)  
[001000](#)