

62P	54.84	63.50	69.32	2.41	0.58
44P	38.38	47.04	53.04	2.29	0.51
26P	24.66	33.32	39.14	2.29	0.51
15P	16.33	24.99	30.81	2.29	0.25
POS. NO.	DIMENSION				

SPECIFICATIONS:
 Current rating:3.0A AC/DC
 Voltage rating:250V AC/DC
 Contact resistance:30m ohm MAX
 Insulation resistance:5000M ohm MIN
 Withstanding voltage:1000V AC for one minute
 Operating temperature range:-40°C ~ +85°C

MATERIAL AND FINISH
 Insulator:PBT+30%G.F(UL94V-0)
 Contact:Copper Alloy Nickel Undercoated
 Selective Gold Plated
 SHELL:Metal Iron With Tin Plated

PART NO.

Z-SUBHR * F ** 7 ***

NO. OF CONTACTS
 B=15PIN
 D=26PIN
 F=44PIN
 G=62PIN
 H=78PIN

TYPE
 F=FEMALE

MOUNTING OPTIONS
 6=SCREWED HEX SCREW ON BOARD LOCK
 7=RIVETED W/ BOARD LOCK/WASHER
 8=RIVETED W/BOARD LOCK/WASHER/HEX SCREW
 9=RIVETED W/ BOARD LOCK/WASHER/ ATTACHED HEX SCREW
 C=SCREWED HEX SCREW DIRECT RIVETING NUT LOCK

LOGO
 0=NO LOGO
 2=NEXTRON LOGO

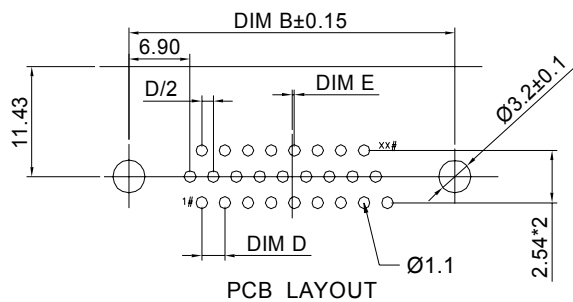
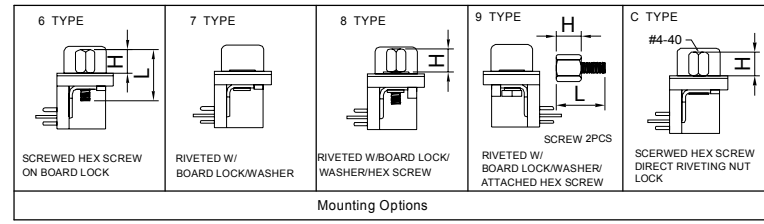
INSULATOR COLOR
 0=BLACK
 6=BLUE
 9=WHITE

INSULATOR MATERIAL
 0=PBT
 2=NYLON

PLATED
 A=GOLD 1u"/LIGHT TIN
 B=GOLD 3u"/LIGHT TIN
 C=GOLD 5u"/LIGHT TIN
 E=GOLD 15u"/LIGHT TIN
 F=GOLD 30u"/LIGHT TIN

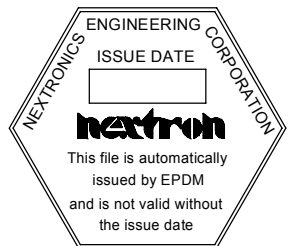
CONTACT MATERIAL
 7=PHOSPHOR BRONZE

NUT POST HEIGHT(H*L) $\triangle B$
 0=5.8*12.8(STD)
 1=4.8*11.8



B	ECN-19105 $\triangle B=1$	2019/11/14
A	ADD LOGO MARK	2016/06/11
REV.	DESCRIPTION	DATE

UNITS: ■ mm □ inch	SIZE A3	NAME: D-SUB HR TYPE FEMALE	 NEXTRONICS ENGINEERING CORP.								
GENERAL TOLERANCE: (UNLESS SPECIFIED)		PART NO: Z-SUBHRXFX7XXXX	TITLE: CUSTOMER DWG								
4 PLACE	± **	± **	DWG NO: 010-0000-F39								
3 PLACE	± **	± **	<table border="1"> <tr> <td>SCALE</td> <td>SHEET</td> <td>REV.</td> </tr> <tr> <td>1/1</td> <td>1/1</td> <td>B</td> </tr> </table>			SCALE	SHEET	REV.	1/1	1/1	B
SCALE	SHEET	REV.									
1/1	1/1	B									
2 PLACE	± 0.20	± **									
1 PLACE	± 0.30	± **									
ANGLES	X° ± 3°	DESIGN: Lu陳惠枝	2019/11/14								



X-ON Electronics

Largest Supplier of Electrical and Electronic Components

Click to view similar products for [D-Sub Standard Connectors](#) category:

Click to view products by [Nextronics](#) manufacturer:

Other Similar products are found below :

[56F711-015](#) [LV242999-142T12](#) [015-0339-000](#) [015-0341-000](#) [015-0349-000](#) [015-0350-000](#) [015-0372-008](#) [015-8544-011](#) [017041-0005](#)
[020419-0104](#) [012-0467-000](#) [012-9507-114](#) [020745-0008](#) [609-25P](#) [609-9P](#) [M24308/2-23Z](#) [M24308/2-36Z](#) [CT0-24-10SC](#) [CT06E20-22SS](#)
[CT0P14S-5SXS](#) [CT0P22-14PS](#) [CT0U22-14PSA206F127](#) [CT1E20-19SS](#) [CT1E20-22SCAU-G9](#) [CT1LA20-22SS](#) [CT2-10SL-3SC](#) [CT2-10SL-4PH](#) [CT2-14S-2PCA34](#) [CT2-16S-17PS](#) [CT2-18-10PS-FMLB-D](#) [CT2-18-11PCAU](#) [CT2-18-1PSAUA34](#) [CT2-22-19SC](#) [CT2-22-19SS-A206](#)
[CT2-22-22PSA34](#) [CT2-24-2PS](#) [CT2-28-12SC](#) [CT2-28-12SSA232](#) [CT6-10SL-3SC](#) [CT6-10SL-4SC](#) [CT6-14S-2SC](#) [CT6-16-12SC](#) [CT6-18-10PSA206](#) [CT6-18-10PSA232](#) [CT6-18-10SSF127A206](#) [CT6-20-15SSA232](#) [CT6-22-10PS](#) [CT6-28-22SS](#) [CT6E14S-2S0](#) [CT6E14S-2SC-A206](#)