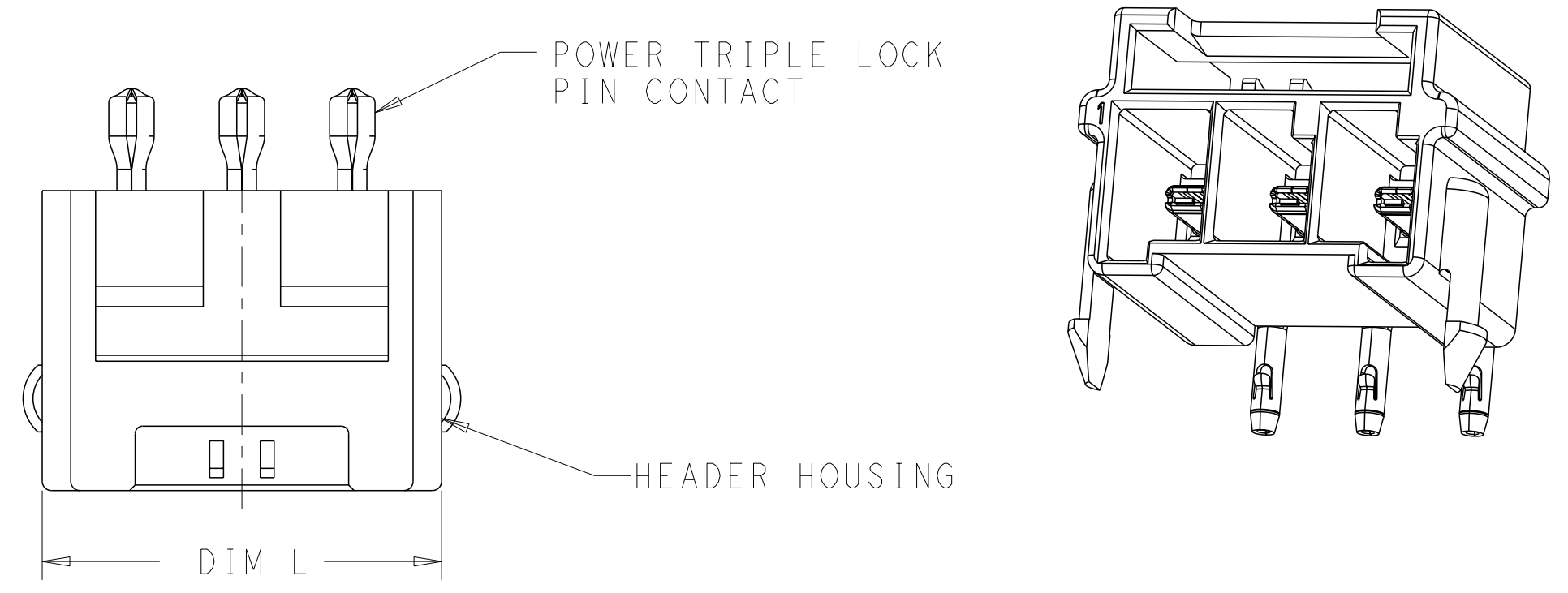
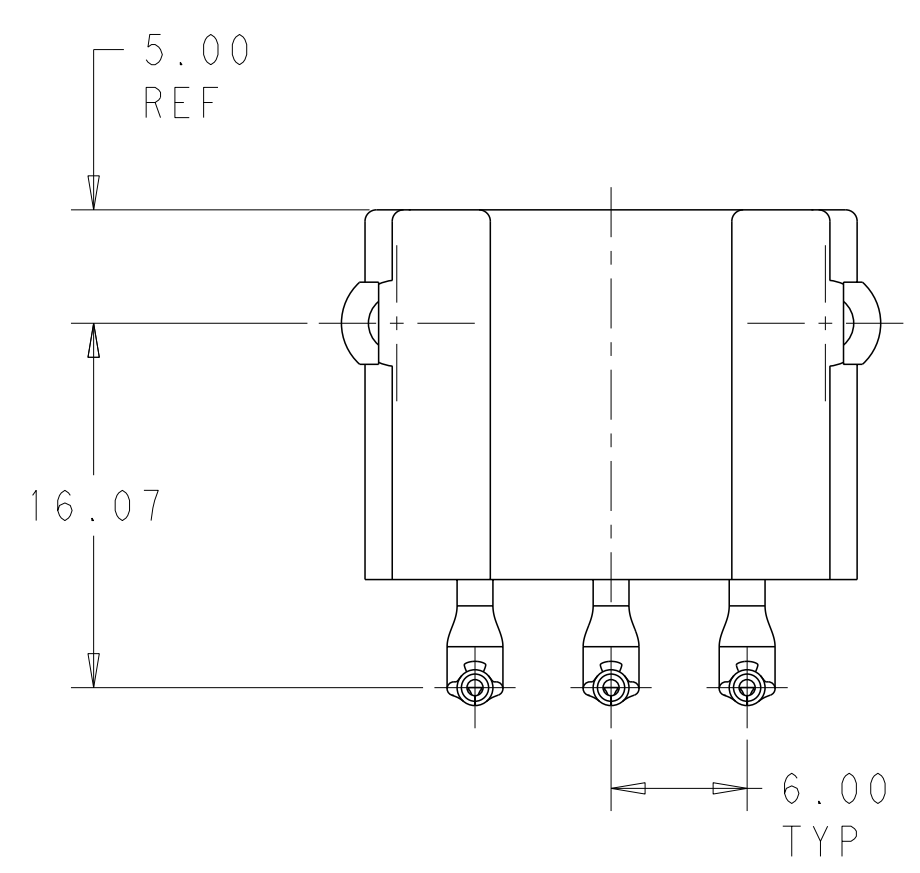
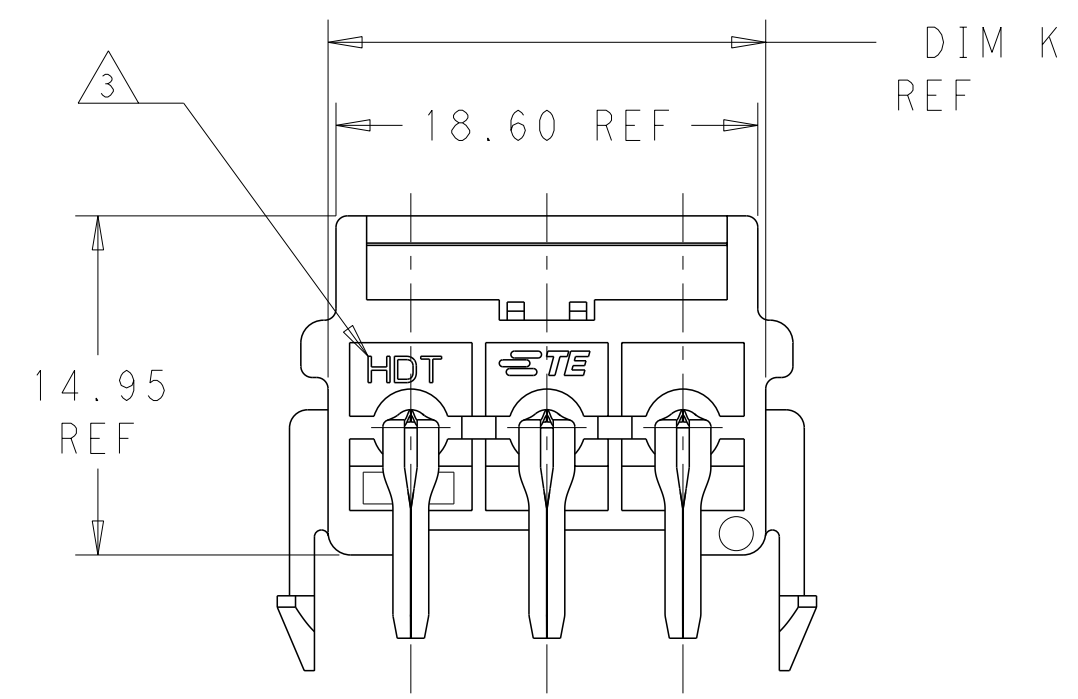
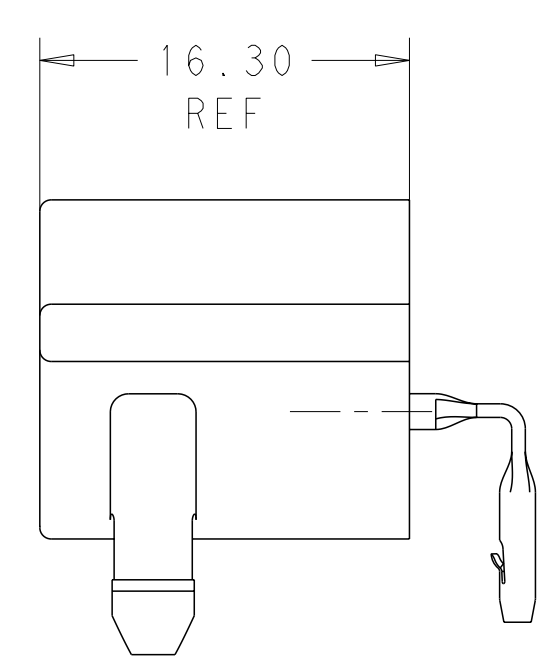
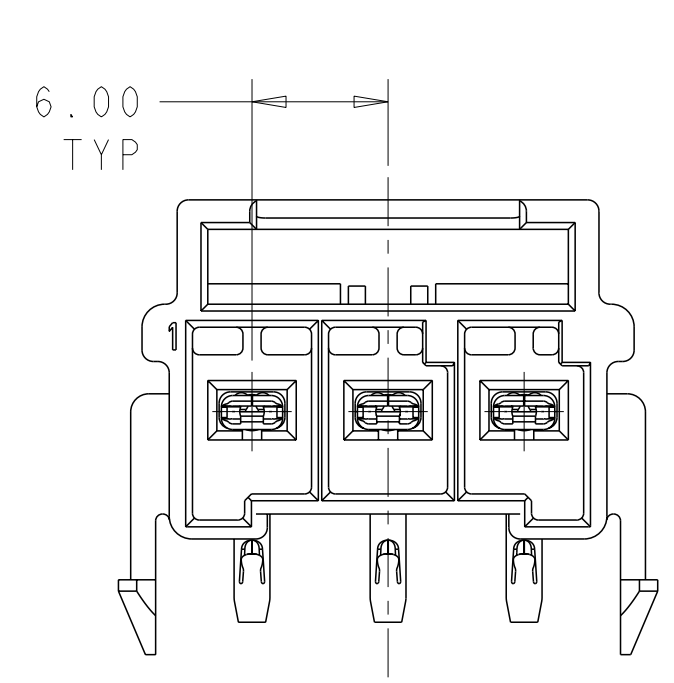


THIS DRAWING IS UNPUBLISHED. RELEASED FOR PUBLICATION
 © COPYRIGHT copyright.d8te ALL RIGHTS RESERVED.

REVISIONS				
P	LTR	DESCRIPTION	DATE	APVD
A		RELEASED	09DEC2016	RS GJ



- 1 CAN BE SECURED TO THE PLUG WITH OPTIONAL CPA P/N 1971789-1.
- 2 FLAMMABILITY RATED PER UL 94 V-0.
- 3 LEVEL INDICATOR: PBT = STANDARD TEMP/GWT 105°C PBT GLASS FILLED
HDT = HIGH TEMP 150°C NYLON
- 4 PARTS COMPLY WITH SOLDERABILITY SPEC TEC-109-11-11-1
- 5 DATUM AND BASIC DIMENSION ESTABLISHED BY CUSTOMER.
- 6 THIS PRODUCT HAS NOT COMPLETED VALIDATION TESTING.
- 7 COMPLIES WITH GLOW WIRE REQUIRMENTS FOR PARTS OF
NON-METALLIC MATERIAL SUPPORTING CURRENT CARRYING CONNECTIONS
PER IEC-60335-1 SECTION 30 (GWT)



5-1971773-7	COPPER ALLOY	NYLON 150°C	5	30.55	27.28	33.7	31.3	LIGHT GREY	A	1-1969694-5
5-1971773-4			4	24.55	21.28	27.7	25.3	LIGHT GREY	A	1-1969694-4
5-1971773-3			3	18.55	15.28	21.7	19.3	LIGHT GREY	A	1-1969694-3
5-1971773-2			2	12.55	9.28	15.7	13.3	LIGHT GREY	A	1-1969694-2
1-1971773-7 5-2232265-7	COPPER ALLOY	PBT 105°C	5	30.55	27.28	33.7	31.3	NATURAL	A	7 1969694-5
1-1971773-4 5-2232265-4			4	24.55	21.28	27.7	25.3	NATURAL	A	7 1969694-4
1-1971773-3 5-2232265-3			3	18.55	15.28	21.7	19.3	NATURAL	A	7 1969694-3
1-1971773-2 5-2232265-2			2	12.55	9.28	15.7	13.3	NATURAL	A	7 1969694-2
MATING PLUG	CONTACT MATERIAL	HOUSING MATERIAL	NO. OF POSITIONS	DIM H	DIM P	DIM L	DIM K	COLOR	KEY	PART NUMBER

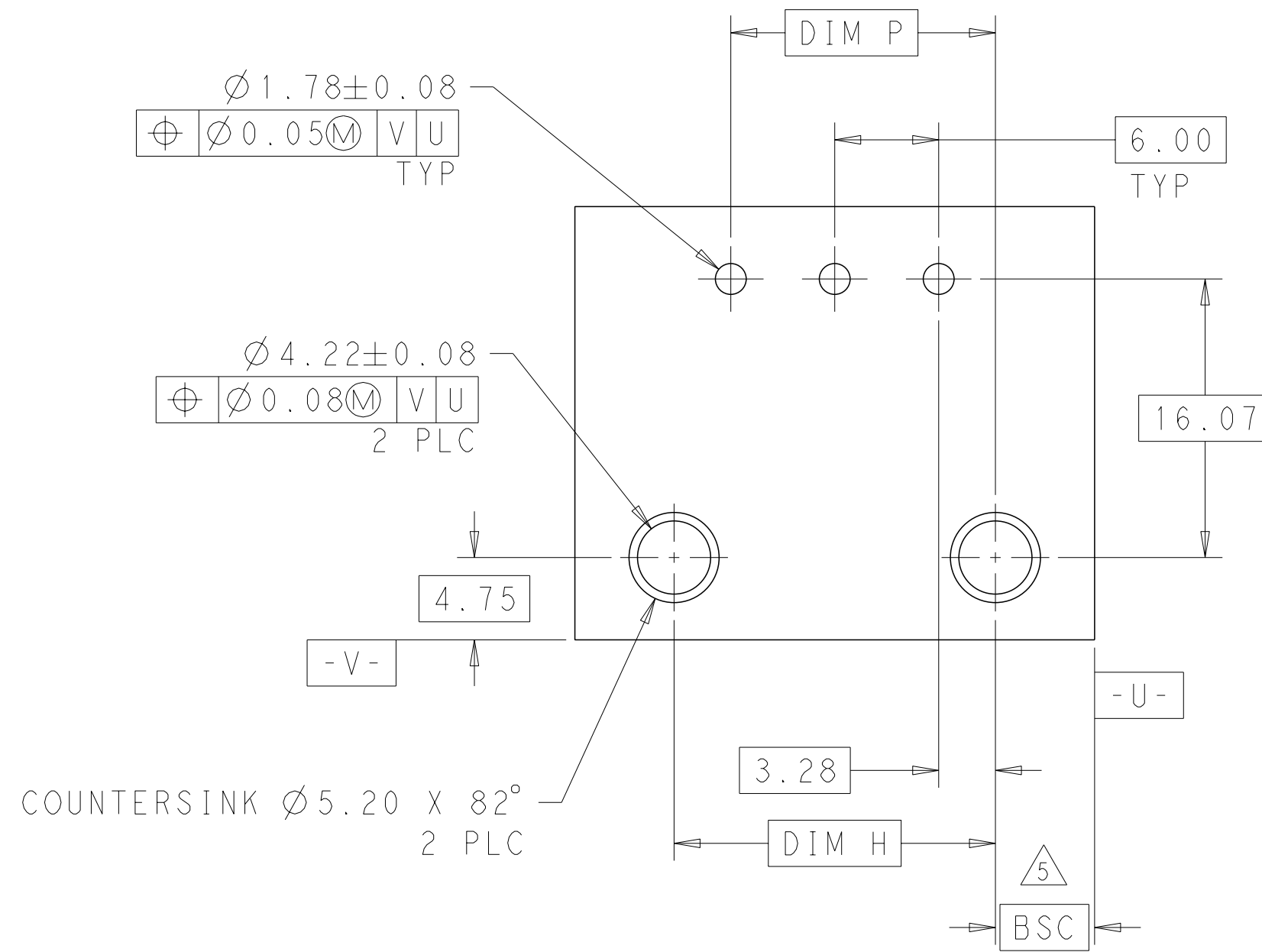
SEE SHEET 2 FOR PCB HOLE PATTERN

THIS DRAWING IS A CONTROLLED DOCUMENT.

DIMENSIONS: mm	TOLERANCES UNLESS OTHERWISE SPECIFIED:	DWN JR RUTH 09-Dec-16	TE Connectivity
	0 PLC ±	CHK 19SEPT14	
	1 PLC ±	DOMINIC FAROLE	
	2 PLC ±0.13	APVD 19SEPT14	
	3 PLC ±0.20	DOMINIC FAROLE	
MATERIAL SEE TABLE	PRE-TIN	PRODUCT SPEC 108-32090	NAME ASSEMBLY, POWER TRIPLE LOCK, RIGHT ANGLE HEADER
		APPLICATION SPEC 114-32136	SIZE A2
		WEIGHT -	CAGE CODE -
		Customer Drawing	DRAWING NO C-1969694
			RESTRICTED TO -
		SCALE 3:1	SHEET 1 OF 2
			REV A

THIS DRAWING IS UNPUBLISHED. RELEASED FOR PUBLICATION
 © COPYRIGHT copyright.d8te ALL RIGHTS RESERVED.

REVISIONS				
P	LTR	DESCRIPTION	DATE	APVD
-	-	SEE SHEET 1	-	-



RECOMMENDED PCB LAYOUT
 WITH A 1.58 THK BOARD

3 POSITION SHOWN

THIS DRAWING IS A CONTROLLED DOCUMENT.		DWN JR RUTH 09-Dec-16	TE Connectivity															
DIMENSIONS: mm		CHK DOMINIC FAROLE 19SEPT14																
TOLERANCES UNLESS OTHERWISE SPECIFIED:		APVD DOMINIC FAROLE 19SEPT14	NAME ASSEMBLY, POWER TRIPLE LOCK, RIGHT ANGLE HEADER															
<table border="1"> <tr><td>0 PLC</td><td>±</td></tr> <tr><td>1 PLC</td><td>±</td></tr> <tr><td>2 PLC</td><td>±0.13</td></tr> <tr><td>3 PLC</td><td>±0.20</td></tr> <tr><td>4 PLC</td><td>±</td></tr> <tr><td>ANGLES</td><td>±</td></tr> <tr><td>FINISH</td><td>±</td></tr> </table>		0 PLC	±	1 PLC	±	2 PLC	±0.13	3 PLC	±0.20	4 PLC	±	ANGLES	±	FINISH	±	PRODUCT SPEC 108-32090	SIZE A2	
0 PLC	±																	
1 PLC	±																	
2 PLC	±0.13																	
3 PLC	±0.20																	
4 PLC	±																	
ANGLES	±																	
FINISH	±																	
MATERIAL SEE TABLE	PRE-TIN	APPLICATION SPEC -	CAGE CODE -	DRAWING NO C-1969694														
-		WEIGHT -	RESTRICTED TO -	SCALE 3:1														
-		Customer Drawing	SHEET 2 OF 2	REV A														

X-ON Electronics

Largest Supplier of Electrical and Electronic Components

Click to view similar products for [Heavy Duty Power Connectors](#) category:

Click to view products by [TE Connectivity](#) manufacturer:

Other Similar products are found below :

[1424439](#) [1424438](#) [09330062652](#) [2-8675P1](#) [605601-1](#) [6340G1](#) [6341G1](#) [6360G1](#) [6373G1](#) [6374g2](#) [6396G1](#) [647757-1](#) [66394-4](#) [6643411-1](#)
[6646058-2](#) [6646137-1](#) [6646138-1](#) [6646348-1](#) [6646479-1](#) [6646608-1](#) [6646786-1](#) [6646940-1](#) [6651091-1](#) [6651525-1](#) [6651529-1](#) [6651778-1](#)
[6651788-1](#) [696465-1](#) [696475-1](#) [73000005059](#) [73000005349](#) [73000005642](#) [73080255059](#) [73080965046](#) [765-15-0080A](#) [765-16-0080B](#)
[789.700-44](#) [789.700-54](#) [80-1010](#) [80-9](#) [827381-1](#) [829992-1](#) [902-77-02113](#) [PL00U-301-10D10](#) [PM103MOOLOO](#) [PM16S1620S32-50](#)
[PM212MOOLOO](#) [PM309FOOLOO](#) [PM324FOOLCH](#) [PMHPAF11S03](#)